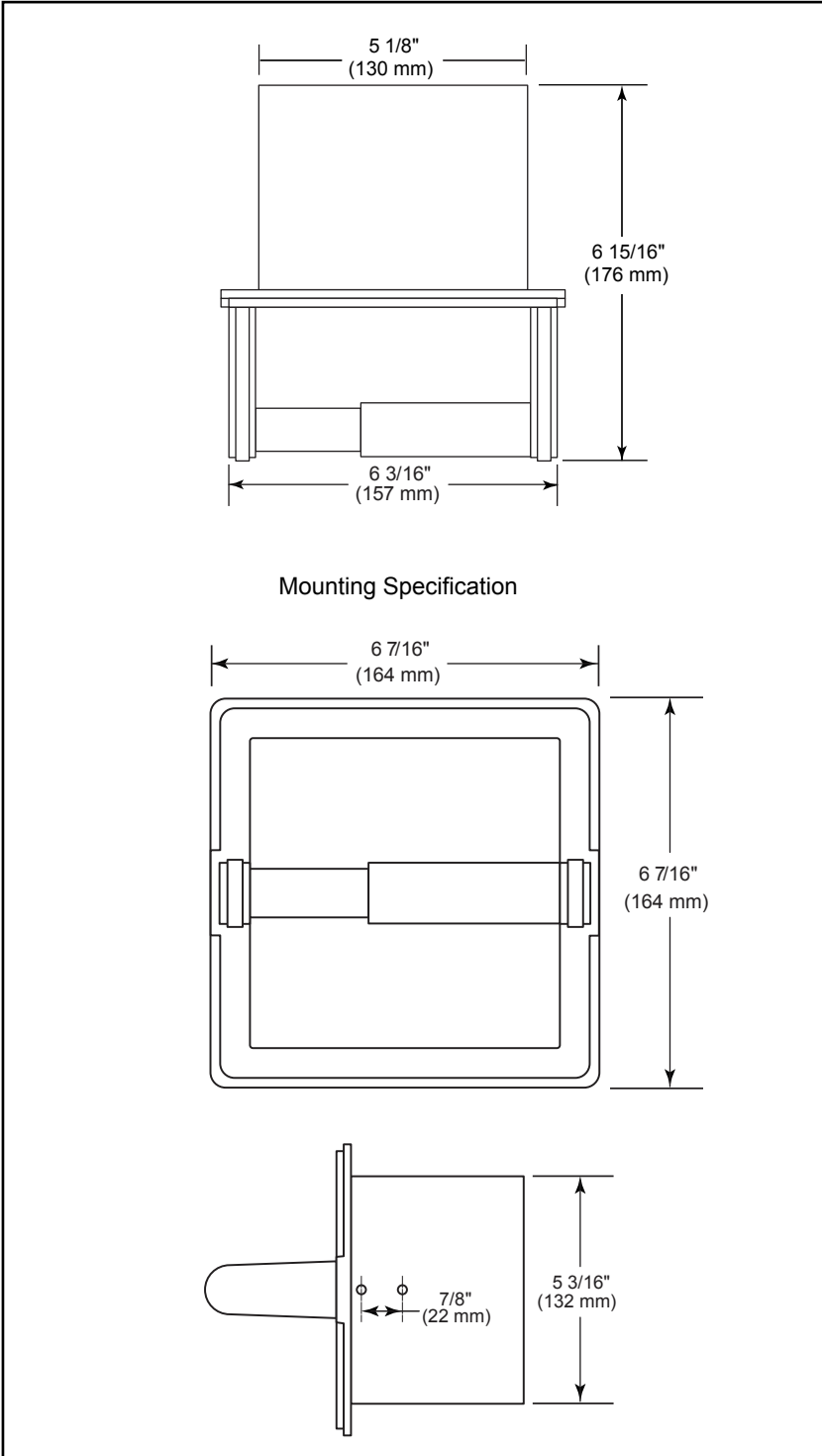


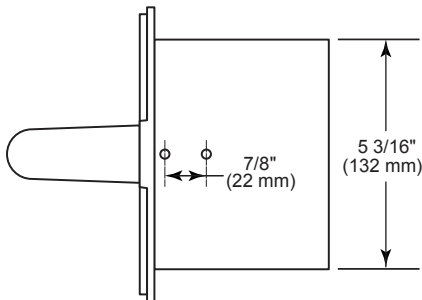
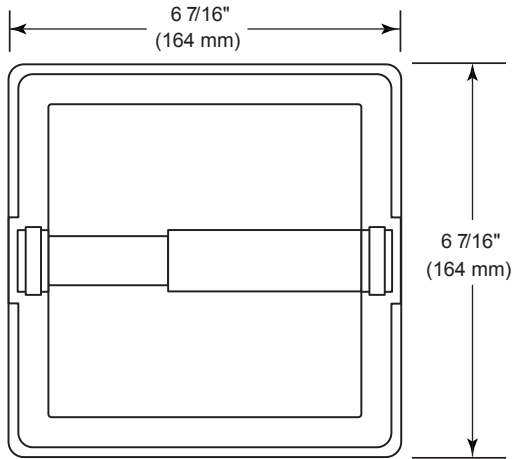
45470-ST,45170-SN&45160▲

Submitted Model No.: \_\_\_\_\_

Specific Features: \_\_\_\_\_



Mounting Specification



▲ Designate proper finish suffix

Delta reserves the right (1) to make changes in specifications and materials, and (2) to change or discontinue models, both without notice or obligation. Dimensions are for reference only. See full-line price book or [www.specselect.com](http://www.specselect.com) for finish options and product availability.



**ACCESSORIES**

■ Recessed Extra Roll Paper Holder

**STANDARD SPECIFICATIONS**

- Spring actuated plastic roller.
- Recessed storage box is galvanized steel.
- Spare roll stored in back.
- If wood blocking is available install recessed box into opening using 2- #8 x 1-1/4" flat head plated or brass plated steel screws provided. If wood blocking is not available use optional RP71073 recess.
- 45470-ST does not have beveled edges.
- Mounting hardware included with product.

**WARRANTY**

- Lifetime Faucet and Finish Limited Warranty to the Original consumer purchaser to be free from defects in material and workmanship.
- 5 Year Limited Warranty for usage in all Industrial, Commercial and business applications.



Liberty Hardware Manufacturing Corporation  
 140 Business Park Drive  
 Winston-Salem, NC 27107  
 800.542.3789  
[www.libertyhardware.com](http://www.libertyhardware.com)  
 ©2012 LHMC, A Masco Company