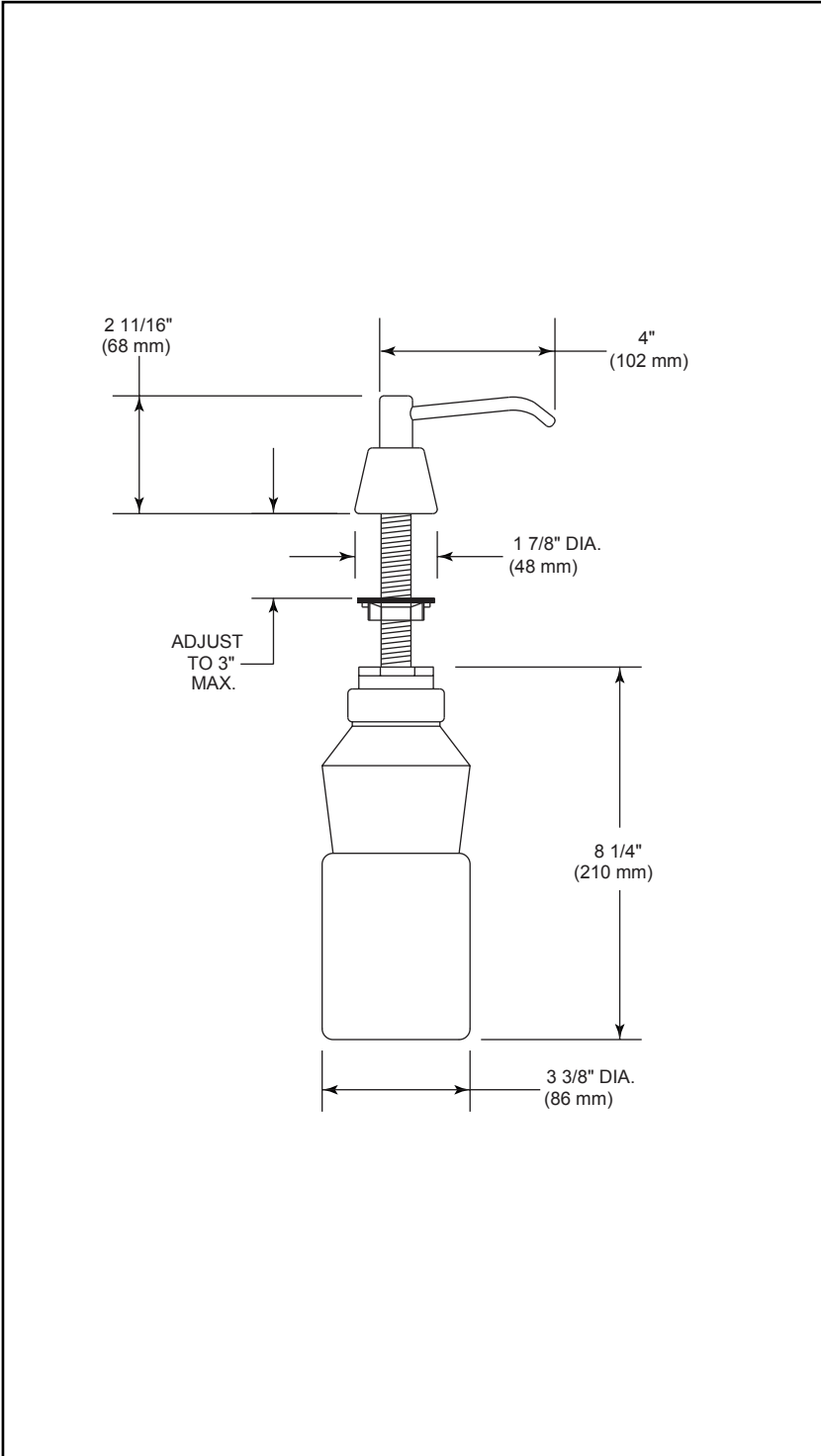




44000▲

Submitted Model No.: _____

Specific Features: _____



▲ Designate proper finish suffix

Delta reserves the right (1) to make changes in specifications and materials, and (2) to change or discontinue models, both without notice or obligation. Dimensions are for reference only. See full-line price book or www.specselect.com for finish options and product availability.

DSP-B-44081 Rev.A



ACCESSORIES

■ Soap Dispensers

STANDARD SPECIFICATIONS

- Brass basin mounted liquid soap dispenser.
- Adjust up to 3" max counter thickness.
- All exposed portions are chrome plated brass.
- Globe is white translucent polyethylene. 32 oz. capacity.
- Mounting hardware and mounting template included with product.

WARRANTY

- Lifetime Faucet and Finish Limited Warranty to the Original consumer purchaser to be free from defects in material and workmanship.
- 5 Year Limited Warranty for usage in all Industrial, Commercial and business applications.



Liberty Hardware Manufacturing Corporation
 140 Business Park Drive
 Winston-Salem, NC 27107
 800.542.3789
www.libertyhardware.com
 ©2011 LHMC, A Masco Company