



Electronic Faucets

Hardwire Operated(24VAC) - Deckmount Gooseneck Spout with Integral Sensor in Base

Model No: 3000T3389A-BB

COMPLIES WITH:

- CSA certified
- Complies with ASME A112.18.1
- ADA compliant and meets Handicapped Accessibility Standard ASME A117.1 of less than 5 lbs. of handle operating force.
- (Contact Delta Representative for State and/or Local Approvals)
- Control Box option 8 & 9 Thermostatic Mixing Valve CSA certified and meets ASSE 1016, 1017, 1070



SPECIFICATION:

- Infrared electronic handwash system
- H²Optics® technology- no external adjustments required
- Chrome plated one piece cast main body with integral sensor and FIXED spout
- Field adjustable water resistant program controller with LCD screen
- Controller retains adjusted settings in event of power failure
- Optional battery backup available
- Spout: R5 - Smooth End Gooseneck - 6.0" radius - 12.0" height (unmounted) - Standard rigid installation - Vandal resistant .090" wall thickness (R5SE)
- Outlet#: 8 - Smooth end, Laminar Flow Control in base of Gooseneck Spout 0.5 USGPM (1.9 L/min)
- Single hole deckmount FIXED gooseneck spout(R5) with integral sensor in base
- Hardwire Converter with Battery Back-up (-BB) comes complete with Watertight Connector and 9V battery
- Vandal Resistant 10" x 10" Metal Box with 10" Cover for SURFACE mounting- with THERMOSTATIC MIXING VALVE-FACTORY PLUMBED FOR EASY FIELD INSTALLATION-requires HOT AND COLD WATER supplies

OPERATION:

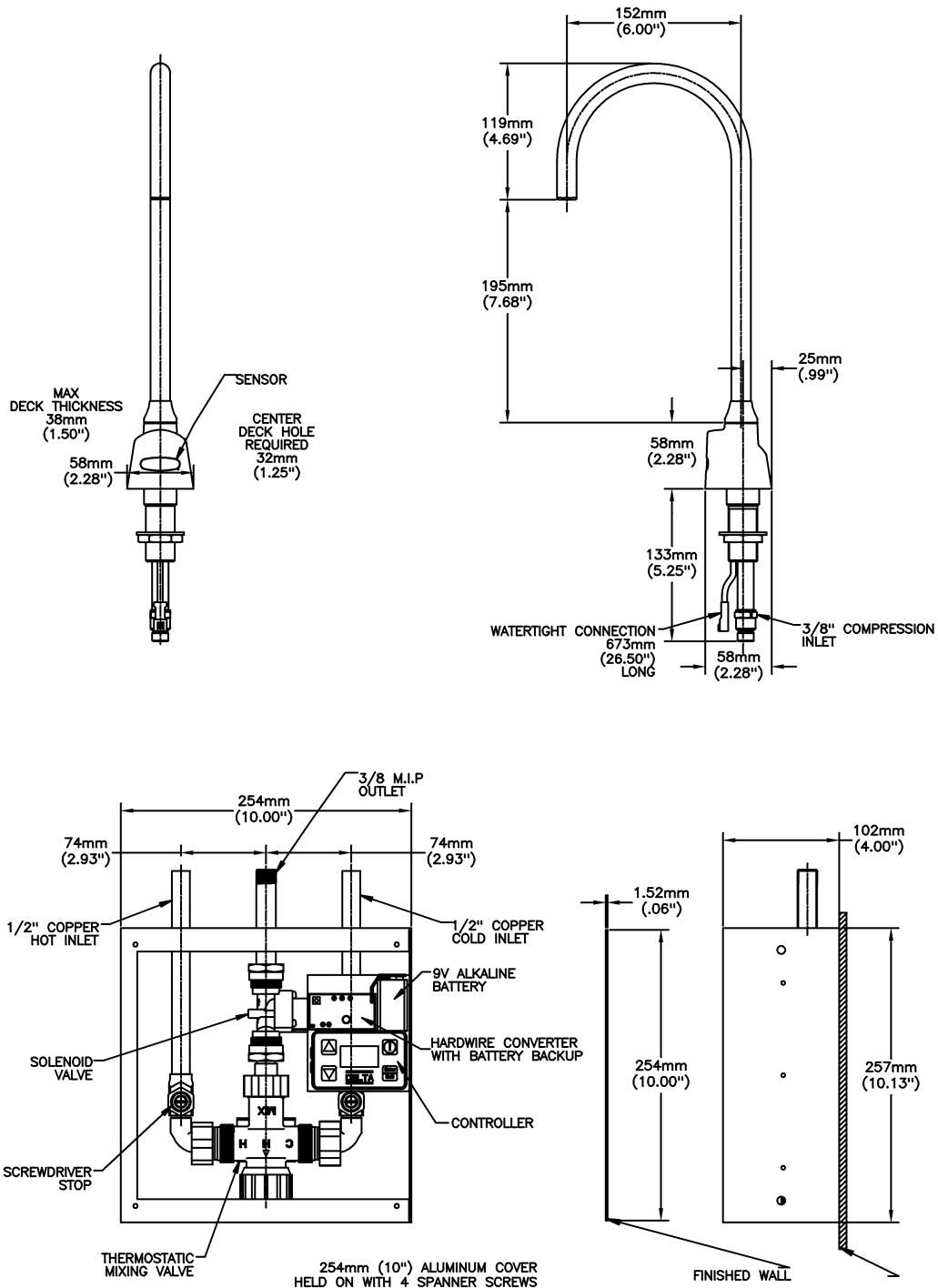
- Water flows when sensor is activated
- Water flow stops at the selected run-on time after user removes hands from sensing zone. Run-on time selections are 0 to 8 seconds or 1 to 8 minutes for scrub-up applications. Factory set to 0 seconds.
- Blocking time between uses has selectable range of 1 to 8 seconds. Factory set to 1 second.
- Adjustable response time.
- Auto shut-off feature.
- Optional metered program mode with selection of 7 to 240 seconds of continuous operation.
- Adjustable sensing distance of 76 to 381 mm (3" to 15"). Factory set to 254 mm (10") (+/- 1.0")

(Dimensional drawing on following page)

Delta reserves the right (1) to make changes to specifications and materials, and (2) to change or discontinue models, both without notice or obligation. Dimensions are for reference. Measurement may vary plus or minus 6mm(0.25"). Mounting locations are suggested only. Check with local codes for requirements in your area. This spec was produced March 08, 2012.

Delta Faucet Company - 55 East 111th St. - Indianapolis, Indiana, USA 46280 - (317) 848-1812
Delta Faucet Canada - 395 Matheson Blvd E - Mississauga, Ontario, Canada L4Z 2H2 - (905) 712-3030

Model No: 3000T3389A-BB



Delta reserves the right (1) to make changes to specifications and materials, and (2) to change or discontinue models, both without notice or obligation. Dimensions are for reference. Measurement may vary plus or minus 6mm(0.25"). Mounting locations are suggested only. Check with local codes for requirements in your area. This spec was produced March 08, 2012.

Delta Faucet Company - 55 East 111th St. - Indianapolis, Indiana, USA 46280 - (317) 848-1812
 Delta Faucet Canada - 395 Matheson Blvd E - Mississauga, Ontario, Canada L4Z 2H2 - (905) 712-3030