



Sink Faucet Deckmount CER-TECK®

Model No: 27C653

COMPLIES WITH:

- CSA certified.
- Complies to ASME Standard A112.18.1.
- IAPMO listed
- (Contact Delta Representative for State and/or Local Approvals)
- 2 3/4" lever blade handle {ADA}ADA compliant and meets Handicapped Accessibility Standard ASME A117.1 of less than 5 lbs. operating force



NOTES:

Verified to <0.25% Pb average wetted surface regulations

CA/VT Compliance:

This product is ONLY available as CA/VT Compliant product

SPECIFICATION:

- CAST BRASS single pantry faucet
- Single hole mount
- Polished chrome plate finish, spout and trim
- Tuf-Teck® compression structure
- 90% flow with first 1/4 turn of operation
- Positive shutoff even in poor water conditions
- Metal hold-down package
- CER-TECK®
- Spout#: 6 - Gooseneck spout-4.5" radius - 10.5" height (unmounted) - Standard rigid/swivel field installation unless LS Limited swing option selected-Vandal resistant .090" wall thickness(R2)
- Outlet#: 5 - Vandal Resistant -0.5 USGPM (1.9 L/min) Flow Control Non-Aerating Spray Outlet
- Handle#: 3 - 70 mm (2-3/4") Lever Blade Handle-Metal-Color indexed-Vandal resistant screws

OPERATION:

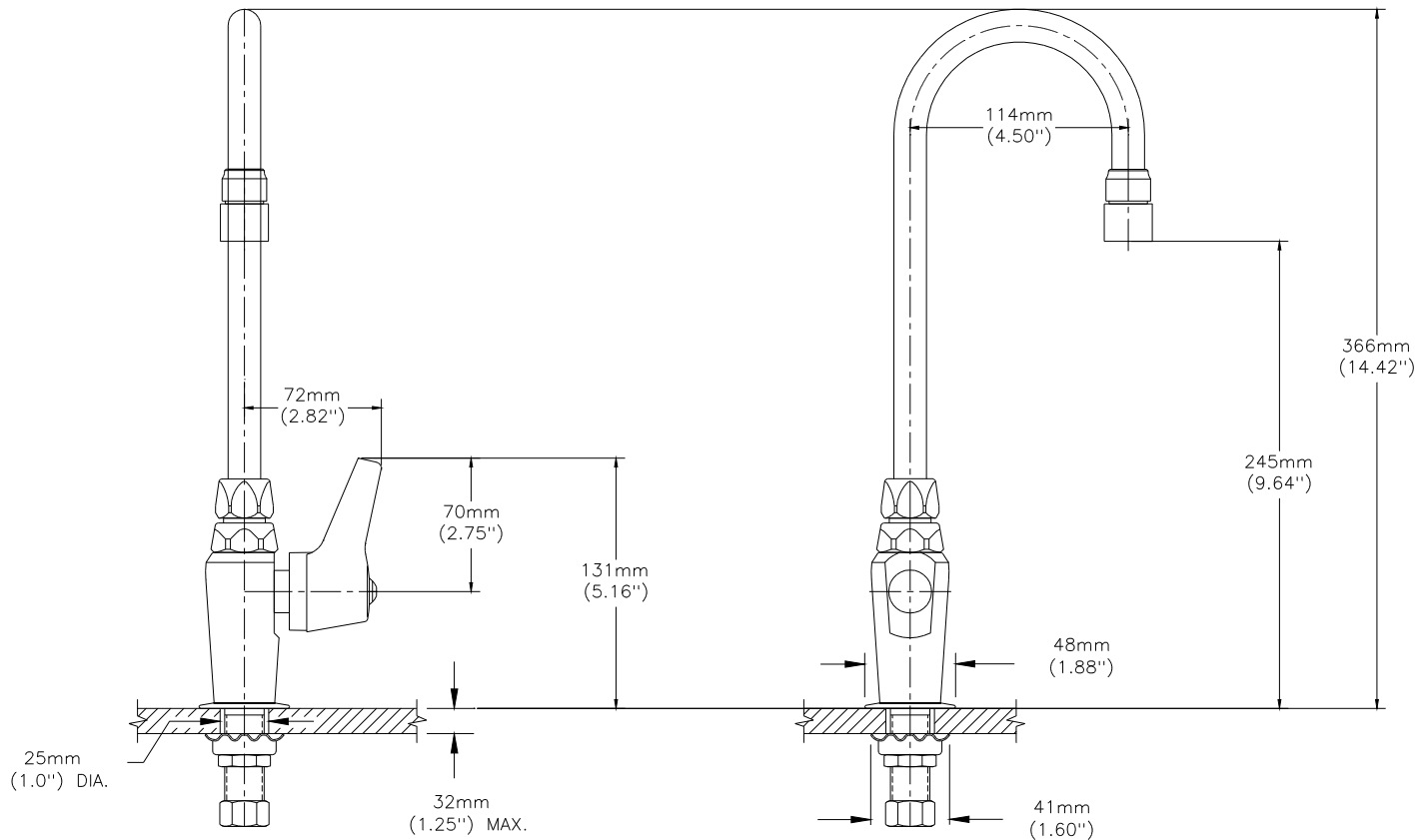
- Not Available

(Dimensional drawing on following page)

Delta reserves the right (1) to make changes to specifications and materials, and (2) to change or discontinue models, both without notice or obligation. Dimensions are for reference. Measurement may vary plus or minus 6mm(0.25"). Mounting locations are suggested only. Check with local codes for requirements in your area.

Delta Faucet Company - 55 East 111th St. - Indianapolis, Indiana, USA 46280 - (317) 848-1812
Delta Faucet Canada - 395 Matheson Blvd E - Mississauga, Ontario, Canada L4Z 2H2 - (905) 712-3030

Model No: 27C653



INLET FOR 3/8" OR 1/2" FLEXIBLE RISER
OR 1/2-14 NPSM COUPLING NUT (SUPPLIED)

Delta reserves the right (1) to make changes to specifications and materials, and (2) to change or discontinue models, both without notice or obligation. Dimensions are for reference. Measurement may vary plus or minus 6mm(0.25"). Mounting locations are suggested only. Check with local codes for requirements in your area.

Delta Faucet Company - 55 East 111th St. - Indianapolis, Indiana, USA 46280 - (317) 848-1812
Delta Faucet Canada - 395 Matheson Blvd E - Mississauga, Ontario, Canada L4Z 2H2 - (905) 712-3030