

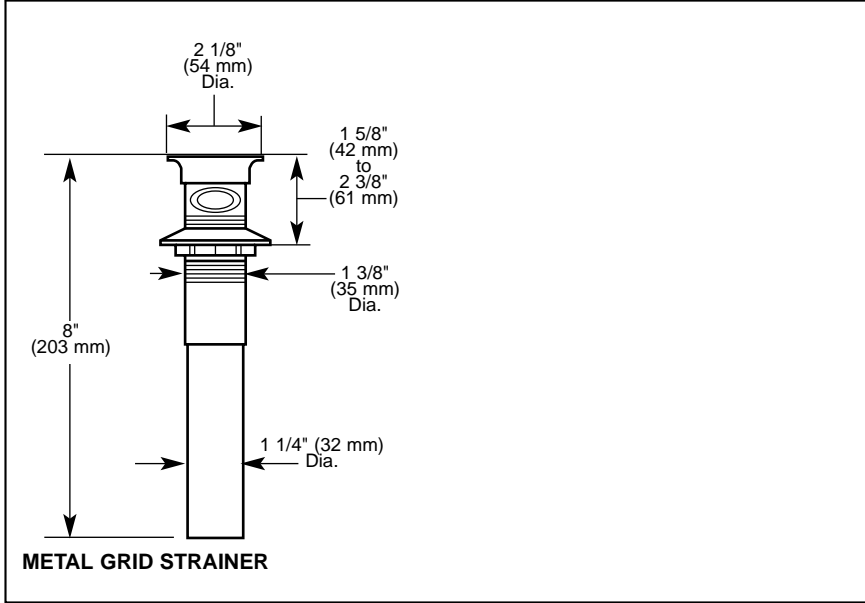
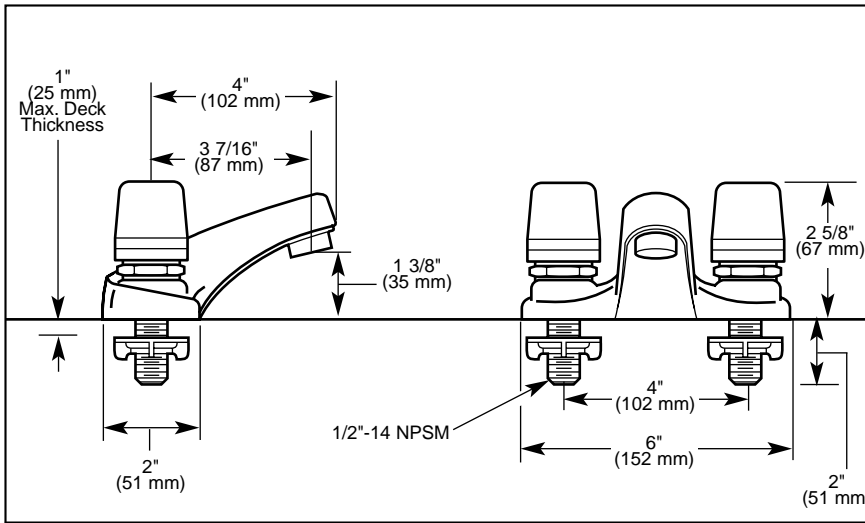
- Two Handle
- Deck Mount
- 2 and 3 Hole Sink Applications
- 4" (102 mm) Centerset

### STANDARD SPECIFICATIONS:

- Two-handle slow self-closing faucets. For two and three hole deck mount applications.
- 4" (102 mm) centerset.
- 3 7/16" (87 mm) long spout.
- Metering, vandal resistant, slow-close push handle.
- No lift rod hole.
- Metal grid strainer (2517).
- .5 gpm (1.9 L/min) vandal resistant spray outlet. Total flow per actuation must not exceed .25 gal./cycle (1.0 L/cycle).
- All operating parts must be replaceable from above the deck.
- 1/2"-14 NPSM threaded male inlet shanks.

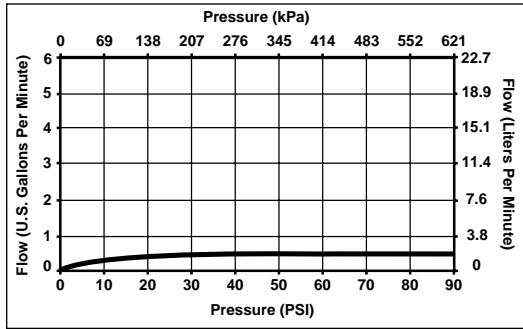
Submitted Model No.: \_\_\_\_\_

Specific Features: \_\_\_\_\_



### COMPLIES WITH:

- ASME A112.18.1
- CSA B125
- IAPMO Listed
- CSA Certified



Delta reserves the right (1) to make changes in specifications and materials, and (2) to change or discontinue models, both without notice or obligation. Dimensions are for reference only. See current full-line price book or [www.specselectonline.com](http://www.specselectonline.com) for finish options and product availability.