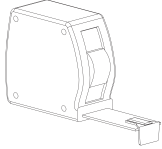




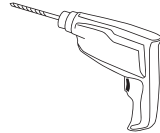
CARE AND CLEANING

- DO NOT OVERTIGHTEN DRAIN. Overtightening of the drain can damage your DECOLAV® product.
- DO NOT clean the product with Detergents, Acid, Abrasives, Harsh Cleaners or a cloth with a coarse surface (S.O.S.® Pads, Scotch Brite® Pads). This is good advice for any plumbing fixture regardless of material.
- DO NOT leave any cleaning agents other than water on your DECOLAV® product.
- DO NOT allow your DECOLAV® product to unnecessarily encounter other solid objects.
- DO clean your DECOLAV® product. Wipe with a damp cloth and dry with a soft cloth. If necessary, a general mild soap and water solution can be used.

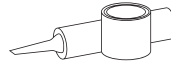
RECOMMENDED TOOLS



Tape Measure



Drill



Plumber's Putty
or Caulking

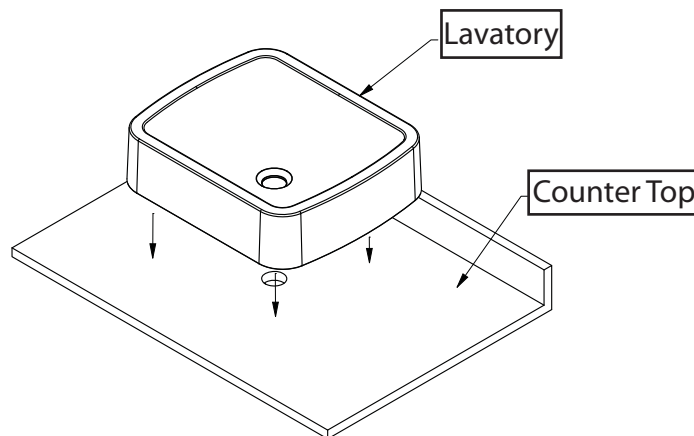


Pencil

STEP #1

- o Prepare countertop by drilling a 1 3/4" (4.445cm) diameter drain hole in the desired location
- o Make sure you leave enough room in between the wall and the vessel for faucet placement
- o Line up the hole that was drilled in the countertop and the drain hole in the vessel. Place the vessel onto the countertop.
- o Install Drain, Trap and faucet according to manufactures specifications

Figure A



Notes:

- o Sink style, shape and cutout may vary from the actual product. This document is for instructional purposes only.
- o Decolav will not be held responsible if supplied cutout template is not followed

**LIMITED LIFETIME WARRANTY**

Any Deco Lav, Inc. ("DECOLAV") product(s), sold after December 1, 2010, will be warranted to the original end consumer to be free of true defects in material and workmanship during normal residential use for as long as the consumer owns his or her home subject to the following:

- Proof of purchase (original sales receipt) from the original end consumer must be made available to DECOLAV for all warranty claims.
- The person claiming a warranty issue must be able to establish original purchase and installation of the product.
- Authorized DECOLAV personnel have inspected the product(s) and determined the product(s) to have true manufacturing defect(s) (unless other arrangements satisfactory to DECOLAV have been agreed upon).
- Such product(s) are returned to DECOLAV (unless other arrangements satisfactory to DECOLAV have been agreed upon).
- The product must have been purchased, directly or indirectly, through an authorized DECOLAV reseller.

This limited warranty is non-transferable and applies only to the original end consumer and to the original installation of the product. This limited warranty is void if the product has been moved from its initial installation site or if ownership of the product has changed. DECOLAV's product are produced from natural raw materials and there may be a slight color variance from product appearing in catalogs, brochures, web-sites, or product samples, or prior production. These are not examples of manufacturing defects and will not be covered under this warranty.

This limited warranty does not cover any mechanical pieces of any DECOLAV product. These mechanical pieces will be covered under a One Year Warranty, with all other terms of this warranty applying except duration. This limited warranty does not cover the finish, color or plating of any DECOLAV product. The finish, color or plating of any product will be covered under a One Year Warranty, with all other terms of this warranty applying exception duration.

If this product is used commercially or installed outside of North America, DECOLAV warrants the product to be free from defects in material and workmanship for one (1) year from the date of installation with all other terms of this warranty applying except duration.

THIS LIMITED WARRANTY DOES NOT COVER ANY DAMAGES CAUSED BY SHIPPING, MISUSE, ABUSE, ACCIDENTS, NEGLIGENCE, UNAUTHORIZED REPAIRS OR ALTERATIONS, MODIFICATIONS, USE OF OTHER THAN GENUINE DECOLAV REPLACEMENT PARTS, DIRT, LIME SCALE, AND OTHER MINERALS, SCUFFS AND SCRATCHES, EXPOSURE TO MARINE AREAS, ABNORMAL USAGE, AND NORMAL WEAR AND TEAR. ANY IMPROPER INSTALLATION, IMPROPER MAINTENANCE, IMPROPER HANDLING, IMPROPER AND CONTRARY USES, IMPROPER CARE AND CLEANING AND ALL ACTS BEYOND DECOLAV'S CONTROL WILL VOID THIS LIMITED WARRANTY.

This limited warranty does not apply to local building code compliance. Since local building codes vary considerably, the original end consumer of the product(s) should check with a local building or plumbing contractor to ensure local code compliance prior to installation.

If you believe that you have a valid warranty claim, contact your Home Center, Dealer, Plumbing Contractor or E-tailer. Please be sure to provide all pertinent information regarding your claim, including a complete description of the problem, the product, model number, the date the product was purchased, from whom the product was purchased and the installation date and location. Also be sure to provide a copy of your original purchase invoice. For other questions, please write to us at: Deco Lav, Inc., Attn. Returns Processing, 314 S. Chimney Rock Road, Greensboro, NC 27409.

Upon satisfaction of each of the foregoing conditions and requirements, DECOLAV shall, at its option, either repair or replace the defective product. DECOLAV shall return any product repaired or replaced under this limited warranty to the original end consumer transportation prepaid. All Closeout/Discontinued product(s), at time of a valid warranty claim, will either be repaired or replaced with a comparable item. DECOLAV's option to repair or replace the product under this limited warranty does not cover any cost of labor to remove or install the DECOLAV product, usage and delay time, or other costs of removal or installation whatsoever. IN NO EVENT WILL DECOLAV BE LIABLE FOR THE COST OF REPAIR OR REPLACEMENT OF ANY INSTALLATION MATERIALS, INCLUDING BUT NOT LIMITED TO, COUNTERTOPS, TILES, MARBLE, GRANITE, ETC.

THIS LIMITED WARRANTY DOES NOT COVER ANY LIABILITY FOR CONSEQUENTIAL OR INCIDENTAL DAMAGES, ALL OF WHICH ARE HEREBY EXPRESSLY DISCLAIMED, OR THE EXTENSION BEYOND THE DURATION OF THIS LIMITED WARRANTY. Some states do not allow the exclusion or limitation of incidental or consequential damages, so the above limitation or exclusion may not apply to you.

THE WARRANTIES HEREIN:

- ARE EXCLUSIVE AND STATED IN LIEU OF ALL OTHER WARRANTIES, WHETHER EXPRESS, STATUTORY, OR IMPLIED, INCLUDING BUT NOT LIMITED TO THE WARRANTIES OF MERCHANTABILITY AND FITNESS FOR AN INTENDED PURPOSE, ALL OF WHICH ARE HEREBY EXPRESSLY DISCLAIMED.
- NEITHER ASSUME NOR AUTHORIZE ORIGINAL END CONSUMER NOR ANY OTHER PARTY TO ASSUME ANY OTHER LIABILITIES IN CONNECTION WITH THE MANUFACTURE OR SALE OF THE PRODUCT.
- ARE SUBJECT TO THE LIMITATIONS ON DAMAGES AS SET FORTH ABOVE.



PRODUCT DESCRIPTION

Tempered Frosted Glass Lavatory

- Translucence® Collection
- 12 mm Tempered Natural Glass
- 17.75" (45.08 cm) Round
- For Drop-in or Undermount Use



PRODUCT MEASUREMENTS

- Diameter: 17.75 inches (45.08 cm)
- Height: 5.59 inches (14.19 cm)

RECOMMENDED ACCESSORIES

- DECOLAV® 9290 Umbrella Drain or
- DECOLAV® 9296 Grid Drain

THANK YOU

Dear Valued Customer,
DECOLAV® would like to take this opportunity to thank you for your purchase – It is our sincere hope that you are completely satisfied with your new product. We welcome and look forward to helping you create another unique look for your next bathroom project.

Prior to installation, please take a moment to review all provided materials and hardware. For assistance with your new product, please contact our dedicated DECOLAV® customer service staff.

Sincerely,

Robert H. Mayer
Chief Executive Officer and President



DECOLAV®

CHANGING THE WAY YOU VIEW THE BATHROOM®

BEFORE YOU BEGIN

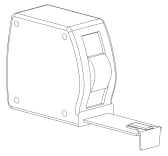
1. Prior to installation, unpack your new DECOLAV® product and inspect it. Keep the product in its original package until you are ready to install it.
2. The wall must be square, plumb and level.
3. Shut the water supply off when replacing an existing fixture. Preparation of the floors and walls, including all additional wall supports, may be required.
4. Observe all local plumbing and building codes.
5. It is recommended that this installation be done with a minimum of two people. Do not install this fixture alone.

Customer Service: 561-274-2110
www.decolav.com

LET YOUR DREAMS COME ALIVE, YOUR PASSIONS BECOME
REALITY, BE THE ENVY OF YOUR NEIGHBORS®



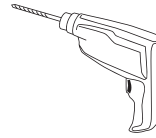
RECOMMENDED TOOLS



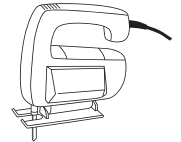
Tape Measure



Pencil



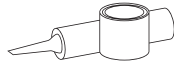
Drill



Scroll Saw



Pipe Wrench



Plumber's Putty
or Caulking



Putty Knife

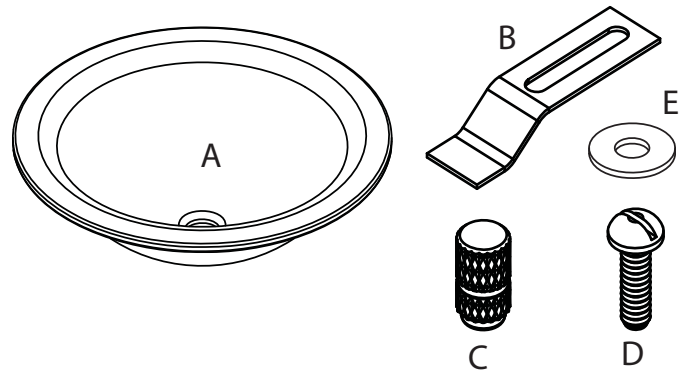


Level

NOTE: DECOLAV DOES NOT RECOMMEND THE USE OF A SILICONE SEALANT AS IT WILL ADVERSELY AFFECT THE FROSTED FINISH!

PARTS

Item	Description	Qty
A	Tempered Frosted Glass Lavatory	1
B	Undermount Clips	4
C	Threaded Knurl	4
D	Machine Screw	4
E	Washer	4



NOTE: CUTOUT TEMPLATE INCLUDED

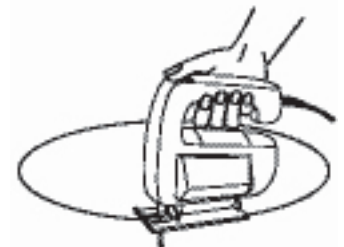
INSTALLATION INSTRUCTIONS

• STEP #1

- o Affix provided template to countertop at desired location.
- o Mark guidelines on countertop in several places.
- o Drill a clearance hole approximately 1/4" to 1/2" inside the perimeter line of the template.
- o Cut the opening following the perimeter line.
- o NOTE: FOLLOW PERIMETER LINE OF DESIRED MOUNTING: DROP-IN OR UNDERMOUNT.



CLEARANCE HOLE



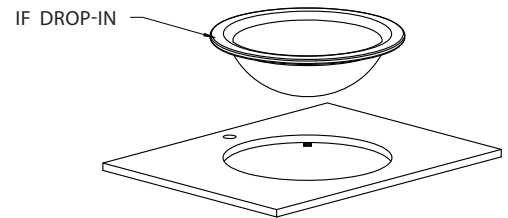
CUT OPENING



INSTALLATION INSTRUCTIONS

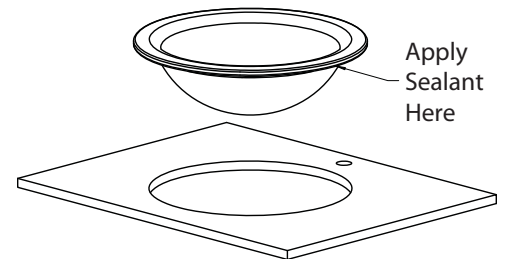
• STEP #2

- o Check for cutout alignment by placing Lavatory (A) in desired mounting position.



• STEP #3a (Drop-In)

- o Apply sealant around the underside of rim near the edge, as shown.
- o NOTE: DECOLAV DOES NOT RECOMMEND THE USE OF A SILICONE SEALANT AS IT WILL ADVERSELY AFFECT THE FROSTED FINISH!
- o Carefully lower lavatory in place. Align and press firmly to set.
- o Wipe off excess sealant.
- o NOTE: ALLOW SEALANT TO SET BEFORE PROCEEDING!
- o Proceed to Step #4.



• STEP #3b (Undermount)

- o Refer to Mounting Clips Detail (Figure 2). [Installation for solid surface countertops with a minimum thickness of 1" (25 mm). Installer must supply anchors for thinner countertops.]
- o For solid surface, drill anchors hole $\frac{3}{8}$ " diameter x $\frac{1}{2}$ " deep. Apply small amount of epoxy (not provided) to closed end of Threaded Knurl (C). Insert threaded knurl (threaded open end exposed).
- o Apply sealant around the topside of rim near the edge, as shown.
- o NOTE: DECOLAV DOES NOT RECOMMEND THE USE OF A SILICONE SEALANT AS IT WILL ADVERSELY AFFECT THE FROSTED FINISH!
- o Carefully raise lavatory in place. Align and press firmly to set.
- o Wipe off excess sealant.
- o Attach Undermount Clips (B) to hold lavatory in place.
- o NOTE: FOR WOOD COUNTERTOPS USE WOOD SCREWS AND ANCHORS, WOOD SCREWS NOT PROVIDED.
- o NOTE: ALLOW SEALANT TO SET BEFORE PROCEEDING

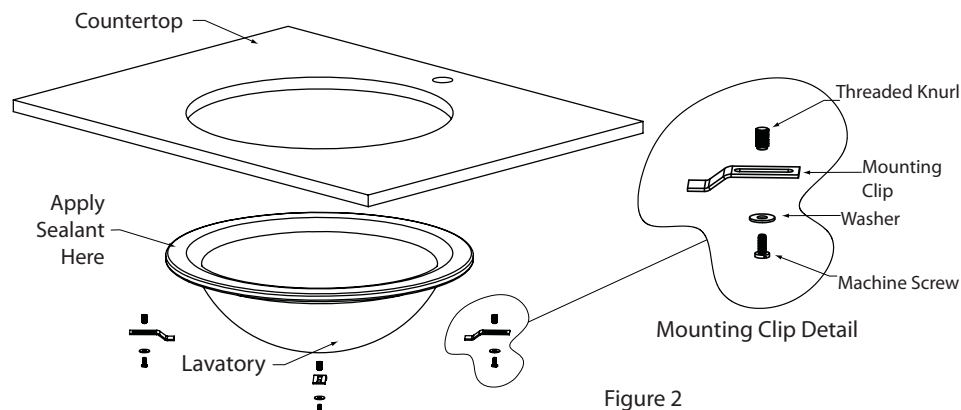


Figure 2



INSTALLATION INSTRUCTIONS

• STEP #4

- o Install drain, waste system, faucet and water supply according to manufacturer's installation instructions.
- o NOTE: DRAIN, WASTE SYSTEM, FAUCET AND WATER SUPPLY NOT INCLUDED. DECOLAV® 9290 UMBRELLA DRAIN OR 9296 GRID DRAIN RECOMMENDED.
- o NOTE: DO NOT OVERTIGHTEN THE DRAIN. DAMAGE MAY RESULT.
- o Check for leakage.

CARE AND CLEANING

- DO NOT OVERTIGHTEN DRAIN. Overtightening of the drain can damage your DECOLAV® product.
- DO NOT clean the product with Detergents, Acid, Abrasives, Harsh Cleaners or a cloth with a coarse surface (S.O.S.® Pads, Scotch Brite® Pads). This is good advice for any plumbing fixture regardless of material.
- DO NOT leave any cleaning agents other than water on your DECOLAV® product.
- DO NOT allow your DECOLAV® product to unnecessarily encounter other solid objects.
- DO clean your DECOLAV® product. Wipe with a damp cloth and dry with a soft cloth. If necessary, a general mild soap and water solution can be used. Use a mild furniture polish to clean wood frame.
- DO clean underside of your DECOLAV® product with mild soap and water ONLY.

DECOLAV LIMITED LIFETIME WARRANTY

Any Deco Lav, Inc. ("DECOLAV") product(s), sold after December 1, 2010, will be warranted to the original end consumer to be free of true defects in material and workmanship during normal residential use for as long as the consumer owns his or her home subject to the following:

- Proof of purchase (original sales receipt) from the original end consumer must be made available to DECOLAV for all warranty claims.
- The person claiming a warranty issue must be able to establish original purchase and installation of the product.
- Authorized DECOLAV personnel have inspected the product(s) and determined the product(s) to have true manufacturing defect(s) (unless other arrangements satisfactory to DECOLAV have been agreed upon).
- Such product(s) are returned to DECOLAV (unless other arrangements satisfactory to DECOLAV have been agreed upon).
- The product must have been purchased, directly or indirectly, through an authorized DECOLAV reseller.

This limited warranty is non-transferable and applies only to the original end consumer and to the original installation of the product. This limited warranty is void if the product has been moved from its initial installation site or if ownership of the product has changed. DECOLAV's product are produced from natural raw materials and there may be a slight color variance from product appearing in catalogs, brochures, web-sites, or product samples, or prior production. These are not examples of manufacturing defects and will not be covered under this warranty.

This limited warranty does not cover any mechanical pieces of any DECOLAV product. These mechanical pieces will be covered under a One Year Warranty, with all other terms of this warranty applying except duration. This limited warranty does not cover the finish, color or plating of any DECOLAV product. The finish, color or plating of any product will be covered under a One Year Warranty, with all other terms of this warranty applying except duration.

If this product is used commercially or installed outside of North America, DECOLAV warrants the product to be free from defects in material and workmanship for one (1) year from the date of installation with all other terms of this warranty applying except duration.

THIS LIMITED WARRANTY DOES NOT COVER ANY DAMAGES CAUSED BY SHIPPING, MISUSE, ABUSE, ACCIDENTS, NEGLIGENCE, UNAUTHORIZED REPAIRS OR ALTERATIONS, MODIFICATIONS, USE OF OTHER THAN GENUINE DECOLAV REPLACEMENT PARTS, DIRT, LIME SCALE, AND OTHER MINERALS, SCUFFS AND SCRATCHES, EXPOSURE TO MARINE AREAS, ABNORMAL USAGE, AND NORMAL WEAR AND TEAR. ANY IMPROPER INSTALLATION, IMPROPER MAINTENANCE, IMPROPER HANDLING, IMPROPER AND CONTRARY USES, IMPROPER CARE AND CLEANING AND ALL ACTS BEYOND DECOLAV'S CONTROL WILL VOID THIS LIMITED WARRANTY.

This limited warranty does not apply to local building code compliance. Since local building codes vary considerably, the original end consumer of the product(s) should check with a local building or plumbing contractor to ensure local code compliance prior to installation.

If you believe that you have a valid warranty claim, contact your Home Center, Dealer, Plumbing Contractor or E-tailer. Please be sure to provide all pertinent information regarding your claim, including a complete description of the problem, the product, model number, the date the product was purchased, from whom the product was purchased and the installation date and location. Also be sure to provide a copy of your original purchase invoice. For other questions, please write to us at: Deco Lav, Inc., Attn. Returns Processing, 314 S. Chimney Rock Road, Greensboro, NC 27409.

Upon satisfaction of each of the foregoing conditions and requirements, DECOLAV shall, at its option, either repair or replace the defective product. DECOLAV shall return any product repaired or replaced under this limited warranty to the original end consumer transportation prepaid. All Closeout/Discontinued product(s), at time of a valid warranty claim, will either be repaired or replaced with a comparable item. DECOLAV's option to repair or replace the product under this limited warranty does not cover any cost of labor to remove or install the DECOLAV product, usage and delay time, or other costs of removal or installation whatsoever. IN NO EVENT WILL DECOLAV BE LIABLE FOR THE COST OF REPAIR OR REPLACEMENT OF ANY INSTALLATION MATERIALS, INCLUDING BUT NOT LIMITED TO, COUNTERTOPS, TILES, MARBLE, GRANITE, ETC.

THIS LIMITED WARRANTY DOES NOT COVER ANY LIABILITY FOR CONSEQUENTIAL OR INCIDENTAL DAMAGES, ALL OF WHICH ARE HEREBY EXPRESSLY DISCLAIMED, OR THE EXTENSION BEYOND THE DURATION OF THIS LIMITED WARRANTY. Some states do not allow the exclusion or limitation of incidental or consequential damages, so the above limitation or exclusion may not apply to you.

THE WARRANTIES HEREIN:

- ARE EXCLUSIVE AND STATED IN LIEU OF ALL OTHER WARRANTIES, WHETHER EXPRESS, STATUTORY, OR IMPLIED, INCLUDING BUT NOT LIMITED TO THE WARRANTIES OF MERCHANTABILITY AND FITNESS FOR AN INTENDED PURPOSE, ALL OF WHICH ARE HEREBY EXPRESSLY DISCLAIMED.
- NEITHER ASSUME NOR AUTHORIZE ORIGINAL END CONSUMER NOR ANY OTHER PARTY TO ASSUME ANY OTHER LIABILITIES IN CONNECTION WITH THE MANUFACTURE OR SALE OF THE PRODUCT.
- ARE SUBJECT TO THE LIMITATIONS ON DAMAGES AS SET FORTH ABOVE.

NUMÉRO DE MODÈLE : 1000TU

DESCRIPTION DU PRODUIT

Lavabo en verre trempé givré

- Collection Translucence®
- Verre de 12 mm
- Lavabo rond de 17.75 po (45,08 cm)
- Verre trempé naturel
- À encastrer ou à installer sous le comptoir



DIMENSIONS DU PRODUIT

- Diamètre : 17.75 po (45,08cm)
- Hauteur : 5.59 po (15,24 cm)


ACCESSOIRES RECOMMANDÉS

- Drain parapluie DECOLAV® 9290
- Drain à grille DECOLAV® 9296
- Siphon bouteille décoratif DECOLAV® 9100

MERCI

Cher client,
DECOLAV® tient à vous remercier de votre achat. Nous espérons sincèrement que vous êtes entièrement satisfait de votre nouveau produit. Nous sommes heureux de vous aider à créer un nouveau design unique pour votre salle de bain.

Avant de procéder à l'installation, prenez le temps de passer en revue toutes les pièces et tous les matériaux fournis. Si vous avez besoin d'aide concernant votre nouveau produit, veuillez communiquer avec le personnel spécialisé du service à la clientèle de DECOLAV®.

 diales,

Robert H. Mayer,
président et chef de la direction



CHANGING THE WAY YOU VIEW THE BATHROOM®

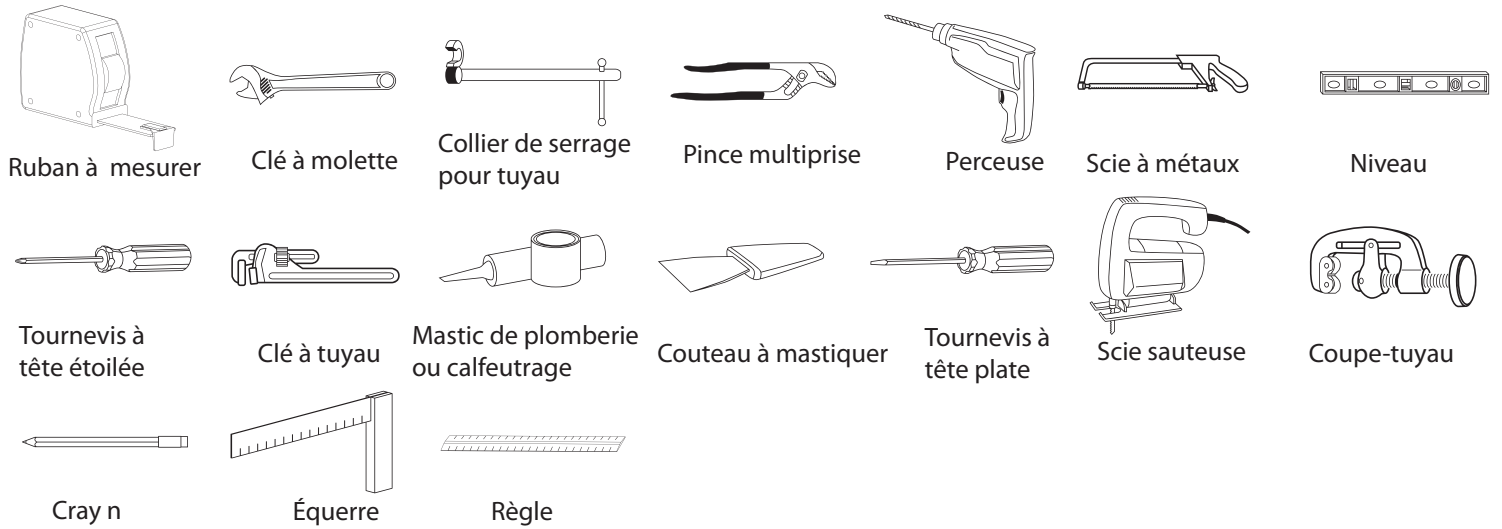
AVANT DE COMMENCER

1. Avant de procéder à l'installation, déballez votre nouveau produit DECOLAV® et vérifiez son état. Conservez le produit dans son emballage d'origine jusqu'à ce que vous soyez prêt à l'installer.
2. Le mur doit être droit, d'aplomb et de niveau.
3. Coupez l'alimentation en eau avant de retirer le lavabo déjà en place. La préparation des planchers et des murs, notamment l'installation de supports muraux supplémentaires, peut s'avérer nécessaire.
4. Conformez-vous à tous les codes de plomberie et à tous les codes de construction locaux.
5. Nous recommandons un minimum de deux personnes pour l'installation de ce produit. Ne tentez pas d'installer ce produit seul.

Service à la clientèle : 561 274-2110
www.decolav.com

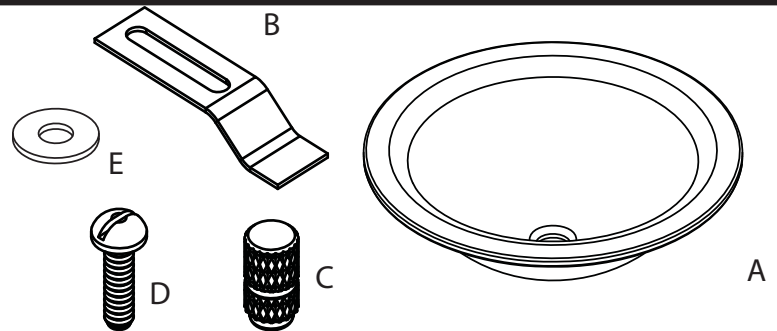
LET YOUR DREAMS COME ALIVE, YOUR PASSIONS BECOME
REALITY, BE THE ENVY OF YOUR NEIGHBORS®

OUTILS RECOMMANDÉS



PIÈCES

Pièce	Description	Qté
A	Lavabo en verre trempé givré	1
B	Bride de fixation	4
C	Molette filetée	4
D	Vis mécanique	4
E	Rondelle	4

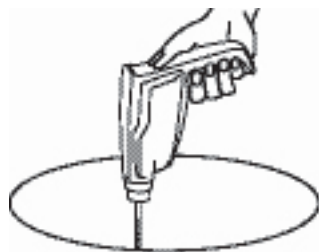


•REMARQUE :Gabaritdedécoupeinclus

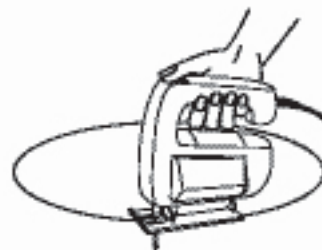
INSTRUCTIONS D'INSTALLATION

• ÉTAPE 1

- o Collez le gabarit inclus sur le comptoir, à l'endroit où le lavabo sera installé, à l'aide de ruban adhésif de cellophane.
- o Tracez des lignes guides à divers endroits sur le comptoir.
- o Percez un trou de passage d'environ ¼ po à ½ po (0,64 cm à 1,27 cm) à l'intérieur du périmètre du gabarit.
- o Découpez l'ouverture en suivant le périmètre du gabarit.
- o REMARQUE : SUIVEZ LE PÉRIMÈTRE SELON LE TYPE DE MONTAGE SOUHAITÉ : ENCASTRÉ OU SOUS LE COMPTOIR.



Trou de passage

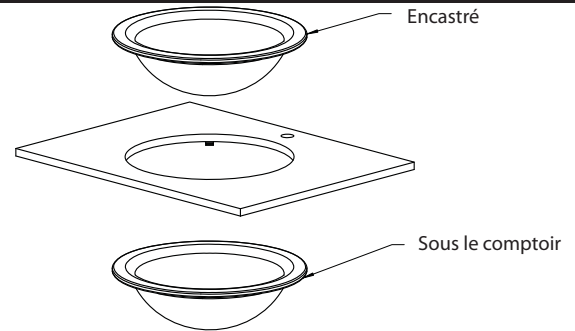


Découpe de l'ouverture

INSTRUCTIONS D'INSTALLATION

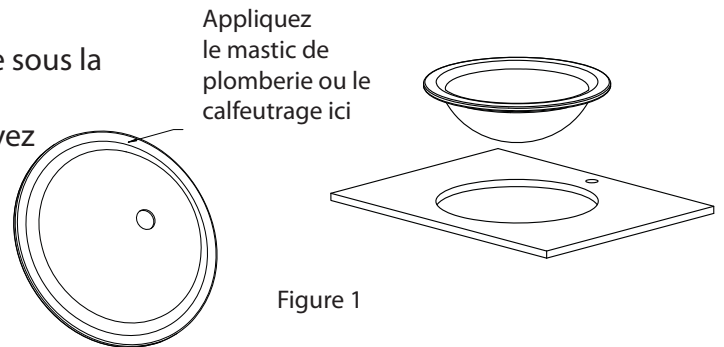
• ÉTAPE 2

- o Vérifiez l'alignement de la découpe en plaçant le lavabo (A) dans la position d'installation souhaitée.



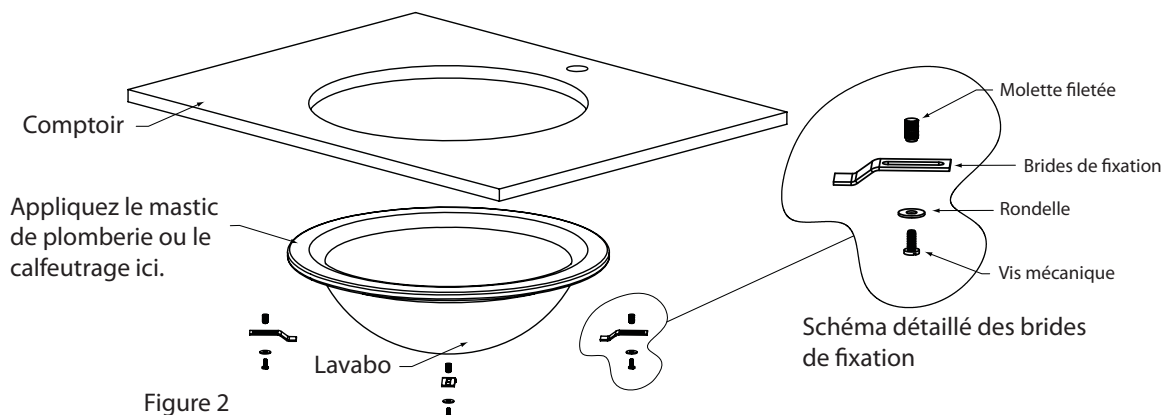
• ÉTAPE 3 (encastré)

- o Appliquez du mastic de plomberie ou du calfeutrage sous la bordure du lavabo, près du bord, tel qu'illustré.
- o Insérez soigneusement le lavabo, alignez-le et appuyez fermement.
- o Essuyez l'excédent de mastic.
- o Reportez-vous à la figure 1.
- o Procédez à l'étape 5.
- o REMARQUE : ATTENDEZ QUE LE MASTIC SOIT SEC AVANT DE POURSUIVRE L'INSTALLATION!



• ÉTAPE 4 (sous le comptoir)

- o Reportez-vous à la figure 2, au schéma détaillé des brides de fixation. [Installation pour comptoirs de surface solide d'une épaisseur minimum de 1 po (25 mm). L'installateur doit fournir les ancrages pour les comptoirs plus minces.]
- o Pour l'installation sur une surface solide, percez des trous pour ancrages d'un diamètre de 3/8 po (0,95 cm) et d'une profondeur de 1/2 po (1,27 cm). Appliquez une petite quantité de résine époxyde (non incluse) sur l'extrémité fermée de la molette fileté (C). Insérez la molette fileté (extrémité fileté ouverte exposée).
- o Appliquez du mastic de plomberie ou du calfeutrage sur le dessus de la bordure, près du bord, tel qu'illustré.
- o Soulevez délicatement le lavabo, alignez-le, et appuyez fermement.
- o Essuyez l'excédent de mastic.
- o Fixez les brides de fixation (B) pour tenir le lavabo en place.
- o REMARQUE : POUR LES COMPTOIRS EN BOIS, UTILISEZ DES VIS À BOIS ET DES ANCRAGES. LES VIS À BOIS NE SONT PAS INCLUSES.
- o REMARQUE : ATTENDEZ QUE LE MASTIC SOIT SEC AVANT DE POURSUIVRE L'INSTALLATION!



INSTRUCTIONS D'INSTALLATION

• ÉTAPE 5

- o Installer Égoutter et des déchets par système fabrique recommandations
- o Vérifier le système de fuite

ENTRETIEN ET NETTOYAGE

- ÉVITEZ DE SERRER LE DRAIN DE FAÇON EXCESSIVE. Un serrage excessif du drain risque d'endommager votre produit DECOLAV®.
- N'utilisez PAS de produits contenant des détergents, de l'acide, des abrasifs ou des nettoyeurs forts, ni de chiffon à surface rugueuse (de type tampons S.O.S.® ou Scotch Brite®). Ce conseil s'applique à tout produit de plomberie, peu importe le type de matériau.
- NE laissez AUCUN produit nettoyant autre que de l'eau sur votre produit DECOLAV®.
- NE laissez PAS d'objets solides heurter votre produit DECOLAV® inutilement.
- NETTOYEZ votre produit DECOLAV® à l'aide d'un chiffon humide et séchez-le avec un chiffon doux. Au besoin, utilisez une solution d'eau et de savon doux d'application générale. Utilisez un poli à meubles doux pour nettoyer les parties en bois.
- NETTOYEZ le dessous de votre produit DECOLAV® avec de l'eau et du savon doux SEULEMENT.
- ESSUYEZ votre produit DECOLAV® à l'aide d'un chiffon doux, sec et propre après chaque utilisation pour limiter la formation de taches causées par l'eau, plus particulièrement dans les régions où l'eau est calcaire.
- NETTOYEZ votre miroir DECOLAV® à l'aide d'un nettoyant pour vitres et d'un chiffon propre et doux. Utilisez un poli à meubles doux pour nettoyer les parties en bois.
- DECOLAV® recommande de sceller adéquatement TOUS les produits en pierre naturelle AVANT DE PROCÉDER À L'INSTALLATION.

GARANTIE À VIE COMPLÈTE

Tout Deco Lav, Inc ("DECOLAV") produit (s), vendus après Décembre 1, 2010, sera garanti à l'utilisateur final d'être exempt de défauts vrai matériel et de fabrication lors de l'utilisation résidentielle normale, aussi longtemps que le consommateur est propriétaire sous réserve de son domicile à ce qui suit:

- Une preuve d'achat (ticket de caisse original) de l'utilisateur final doit être mis à la disposition DECOLAV pour toute réclamation.
- La personne qui invoque un problème de garantie doit être en mesure d'établir achat et l'installation du produit.
- Le personnel autorisé de DECOLAV avoir inspecté le produit (s) et déterminé que le produit (s) d'avoir un défaut de fabrication (s) (sauf si d'autres arrangements satisfaisants pour DECOLAV ont été convenues).
- Un tel produit (s) sont retournés à DECOLAV (sauf si d'autres arrangements satisfaisants pour DECOLAV ont été convenues).
- Le produit doit avoir été acheté, directement ou indirectement, par l'intermédiaire d'un revendeur agréé DECOLAV.

Cette garantie limitée est non transférable et s'applique uniquement à l'utilisateur final et à l'installation d'origine du produit. Cette garantie limitée est nulle si le produit a été déplacé de son lieu d'installation initiale ou si la propriété du produit a changé. produit DECOLAV sont produites à partir de matières premières naturelles et il peut y avoir une légère variation de couleur du produit figurant dans les catalogues, brochures, sites web, ou des échantillons de produits, ou de la production avant. Ces exemples ne sont pas des défauts de fabrication et ne seront pas couverts par cette garantie.

Cette garantie limitée ne couvre pas les pièces mécaniques d'un produit DECOLAV. Ces pièces mécaniques sont couvertes par une garantie d'un an, avec tous les autres termes de cette garantie appliquée excepté la durée. Cette garantie limitée ne couvre pas le fini, la couleur ou le placage des produits DECOLAV. La finition, la couleur ou le placage d'un produit seront couverts en vertu d'une première année de garantie, avec tous les autres termes de cette garantie, la durée exception.

Si ce produit est utilisé commercialement ou installés à l'extérieur de l'Amérique du Nord, warrants DECOLAV le produit est exempt de vices de matériaux et de fabrication pour un (1) an à compter de la date d'installation avec tous les autres termes de cette garantie appliquée excepté la durée.

CETTE GARANTIE NE COUVRE PAS LES DOMMAGES CAUSÉS PAR expédition, mauvais usage, abus, accidents, NÉGLIGENCE ou réparations non autorisées OU MODIFICATIONS, UTILISATION DES AUTRES QUE DES PIÈCES DE RECHANGE DECOLAV, DIRT, CALCAIRE et d'autres minéraux, éraflures et des rayures, EXPOSITION A AIRES MARINES, une utilisation anormale, et l'usure normale et la déchirure. TOUTE INSTALLATION, un mauvais entretien, une mauvaise manipulation, les utilisations abusives et contraires, entretien et un nettoyage ET TOUS LES ACTES DE COMMANDE AU-DELÀ de DECOLAV SERA annuler cette garantie limitée.

Cette garantie limitée ne s'applique pas aux conformités des codes du bâtiment. Puisque les codes du bâtiment locaux varient considérablement, l'utilisateur final du produit (s) devraient vérifier avec un bâtiment locaux ou entrepreneur en plomberie pour assurer la conformité au code local avant l'installation.

Si vous croyez que vous avez une réclamation valide, contactez votre centre d'accueil, vendeur, plombier ou E-détaillant. S'il vous plaît vous assurer de fournir tous les renseignements pertinents à votre demande, y compris une description complète du problème, le produit, le numéro de modèle, la date où le produit a été acheté, chez qui le produit a été acheté et la date d'installation et de l'emplacement. Veuillez également à fournir une copie de votre facture d'achat originale. Pour d'autres questions, s'il vous plaît nous écrire à: Deco Lav, Inc, Attn. Traitement des déclarations, 314 S. Road Rock cheminée, Greensboro, NC 27409.

À la satisfaction de chacune des conditions et exigences susmentionnées, DECOLAV, à sa discrétion, réparera ou remplacera le produit défectueux. DECOLAV doit retourner tout produit réparé ou remplacé en vertu de cette garantie limitée au transport premier acheteur. Tous liquidé ou abandonné (s), au moment d'une réclamation de garantie valide, sera réparé ou remplacé par un modèle comparable. DECOLAV option de réparer ou de remplacer le produit sous cette garantie limitée ne couvre pas les coûts de main-d'œuvre pour retirer ou installer le produit DECOLAV, l'utilisation et temps de retard, ou autres frais de retrait ou d'installation. EN AUCUN CAS ÊTRE TENUS RESPONSABLES DE DECOLAV LE COÛT DE LA RÉPARATION OU LE REMPLACEMENT DE MATERIAUX INSTALLATION, Y COMPRIS, MAIS SANS S'Y LIMITER, les comptoirs, CARREAUX, marbre, granit, ETC.

CETTE GARANTIE NE COUVRE PAS TOUTE RESPONSABILITÉ POUR LES DOMMAGES DIRECTS OU INDIRECTS, QUI SONT TOUS expressément exclus, OU L'EXTENSION AU-DELÀ DE LA DURÉE DE LA PRÉSENTE GARANTIE LIMITÉE. Certains états ne permettent pas l'exclusion ou la limitation des dommages fortuits ou consécutifs, la limitation ou exclusion peut ne pas s'appliquer à vous.

LES GARANTIES CI:

- SONT EXCLUSIVES ET AU LIEU DE TOUTE AUTRE GARANTIE, EXPRESSE, LÉGALES OU IMPLICITE, Y COMPRIS, MAIS SANS S'Y LIMITER, LES GARANTIES DE VALEUR MARCHANDE ET D'ADAPTATION À UNE FIN, QUI SONT TOUS EXPRESSÉMENT EXCLUES.
- N'AUTORISENT NI utilisateur final, NI AUCUNE PARTIE A ASSUMER TOUT AUTRES PASSIFS DANS LE CADRE DE LA FABRICATION OU LA VENTE DU PRODUIT.

- SONT SOUMIS A LA LIMITATION DE DOMMAGES CI-DESSUS.

NÚMERO DE MODELO: 1000TU

DESCRIPCIÓN DEL PRODUCTO

Lavamanos de vidrio templado esmerilado

- Colección Translucence®
- Vidrio de 12 mm
- Redondo, de 17.75" (45.08 cm)
- Vidrio natural templado
- Empotrado o de instalación inferior



MEDIDAS DEL PRODUCTO

- Diámetro: 17.75 pulgadas (45.08 cm)
- Alto: 5.59 pulgadas (14.17 cm)

ACCESORIOS RECOMENDADOS

- Desagüe decorativo DECOLAV® 9290 o
- Desagüe decorativo, de cierre a botón DECOLAV® 9296
- Trampa decorativa DECOLAV® 9100

GRACIAS

Estimado cliente:

En DECOLAV® queremos aprovechar esta oportunidad para agradecerle su compra. Es nuestro mayor deseo que quede plenamente satisfecho con su nuevo producto. Le damos la bienvenida y esperamos ansiosamente ayudarlo a crear un estilo único para el proyecto de su próximo baño.

Antes de comenzar la instalación, revise todos los materiales y todas las herramientas que le fueron suministrados. Para realizar consultas sobre su nuevo producto, llame a nuestro dedicado personal de atención al cliente de DECOLAV®.

Atentamente,

Robert H. Mayer
Director General y Presidente

 **DECOLAV®**
CHANGING THE WAY YOU VIEW THE BATHROOM®

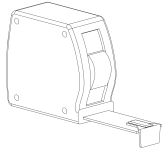
ANTES DE COMENZAR

1. Antes de la instalación, saque su nuevo producto DECOLAV® de la caja e inspecciónelo. Mantenga el producto dentro de su empaque original hasta que tenga todo listo para instalarlo.
2. La pared debe estar a escuadra, a plomo y a nivel.
3. Cuando reemplace una instalación existente, cierre la llave de paso del agua. Puede ser necesario preparar los pisos y las paredes, incluso pueden ser necesarios soportes de pared adicionales.
4. Respete todos los códigos locales de plomería y construcción.
5. Se recomienda realizar la instalación entre dos personas como mínimo. No realice la instalación usted solo.

Servicio al cliente: 561-274-2110
www.decolav.com

LET YOUR DREAMS COME ALIVE, YOUR PASSIONS BECOME
REALITY, BE THE ENVY OF YOUR NEIGHBORS®

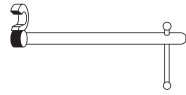
HERRAMIENTAS RECOMENDADAS



Cinta métrica



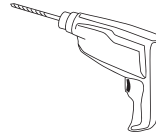
Llave ajustable



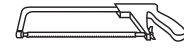
Abrazadera de tubería



Pinzas de extensión



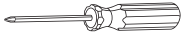
Taladro



Sierra de mano



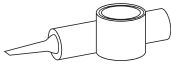
Nivel



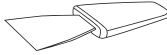
Destornillador Phillips



Llave inglesa



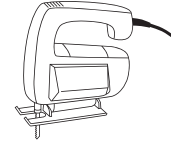
Masilla para plomería o silicona



Espátula



Destornillador plano



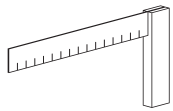
Sierra de sable



Cortador de tubería



Lápiz



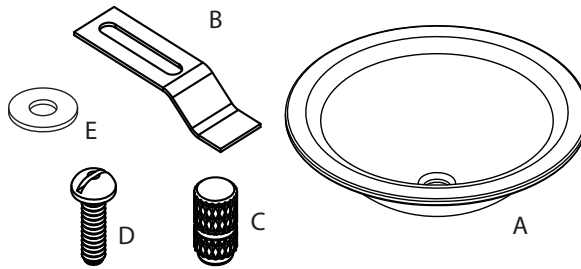
Escuadra



Regla

PIEZAS

Descripción		
A	Lavamanos de vidrio templado esmerilado	1
B	Sujetador para instalación inferior	4
C	Moleta con rosca	4
D	Tornillo de máquina	4
E	Arandela	4

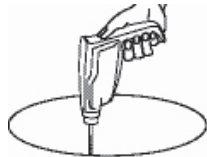


• NOTA: la plantilla del corte está

INSTRUCCIONES DE INSTA-

• PASO N° 1

- o Pegue con cinta de celofán la plantilla que se proporciona para el mostrador en la ubicación deseada.
- o Marque las líneas guía en el mostrador en varios lugares.
- o Haga un agujero de paso de aproximadamente ¼" a ½" (unos 6 a 12 mm) dentro de la línea de perímetro de la plantilla.
- o Corte una abertura siguiendo la línea de perímetro de la plantilla.
- o NOTA: SIGA LA LÍNEA DE PERÍMETRO DEL TIPO DE INSTALACIÓN DESEADA: EMPOTRADA O INFERIOR.



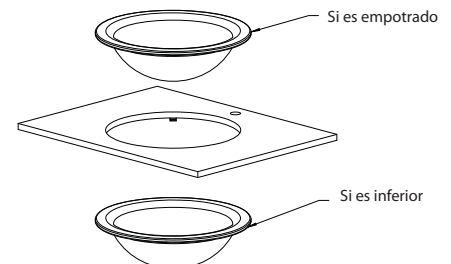
Agujero de paso



Abertura del corte

• PASO N° 2

- o Revise la alineación del corte colocando el lavamanos (A) en la posición de montaje deseada.



INSTRUCCIONES DE INSTALACIÓN

• PASO N.º 3 (Empotrado)

- o Aplique masilla para plomería o sellador alrededor de la parte inferior del borde, cerca del contorno externo, como se muestra.
- o Baje con cuidado el lavamanos hasta su posición, alinéelo y presione firmemente.
- o Quite el excedente del sellador.
- o Vea la figura 1.
- o Proceda al paso N.º 5.
- o **NOTA: PERMITA QUE EL SELLADOR SE SEQUE ANTES DE CONTINUAR.**

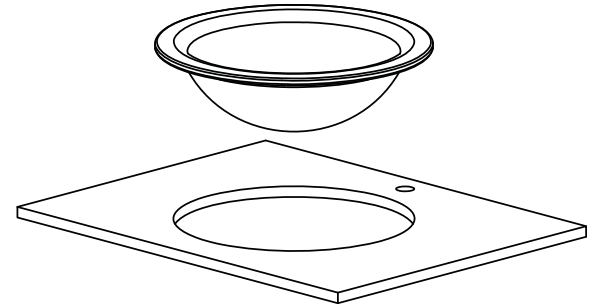
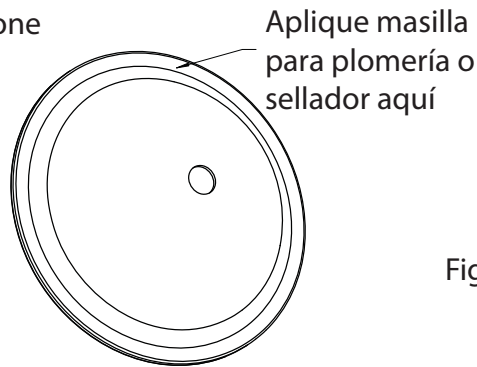


Figura 1

• PASO N.º 4 (INFERIOR)

- o Vea la figura 2, de detalle de los sujetadores de montaje [Instalación de mostradores de superficie sólida con un mínimo espesor de 1" (25mm). El instalador debe proporcionar anclajes para los mostradores menos gruesos.]
- o Para las superficies sólidas, taladre el agujero del anclaje con 3/8" de diámetro x 1/2" de profundidad. Aplique una cantidad pequeña de adhesivo "epoxy" (no proporcionado) para sellar el extremo de la moleta con rosca (C). Inserte la moleta con rosca (con el extremo roscado abierto expuesto).
- o Aplique masilla para plomería o sellador alrededor de la parte inferior del borde, cerca del borde, como se muestra.
- o Suba con cuidado el lavamanos hasta su posición, alinéelo y presione firmemente.
- o Quite el excedente del sellador.
- o Coloque los sujetadores de instalación inferior (B) para sostener el lavamanos en su lugar.
- o **NOTA: PARA LOS MOSTRADORES DE MADERA, UTILICE TORNILLOS Y ANCLAJES PARA MADERA (LOS TORNILLOS NO SE PROPORCIONAN).**
- o **NOTA: PERMITA QUE EL SELLADOR SE SEQUE ANTES DE CONTINUAR.**

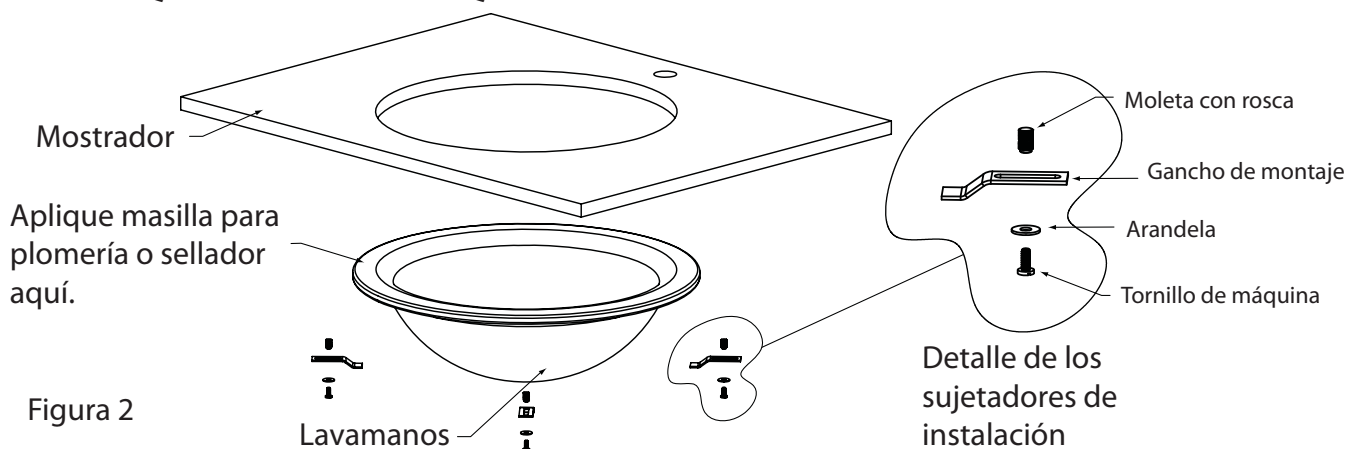


Figura 2

INSTRUCCIONES DE INSTALACIÓN

• PASO Nº 5

- o Instalación de sistema de drenaje y los desechos por fabrica Recomendaciones
- o Sistema de Control de fugas

CUIDADO Y LIMPIEZA

- NO AJUSTE DEMASIADO EL DESAGÜE. El ajuste excesivo del desagüe puede dañar su producto DECOLAV.
- NO limpie el producto con detergentes, ácidos, abrasivos, limpiadores fuertes ni paños cuyas superficies no sean lisas, como los paños S.O.S.® o Scotch Brite. Este consejo es útil para todos los accesorios de plomería, sin importar cuál sea el material.
- NO deje agentes de limpieza, salvo agua, sobre su producto DECOLAV.
- NO deje que su producto DECOLAV entre en contacto innecesario con otros objetos sólidos.
- LIMPIE su producto DECOLAV. Limpie con un paño húmedo y seque con un paño suave. Si es necesario, puede usar una solución de jabón suave y agua. Use un limpiador suave de muebles para limpiar el marco de madera.
- LIMPIE la parte inferior de su producto DECOLAV SOLAMENTE con jabón suave y agua.
- SEQUE su producto DECOLAV con un paño limpio, suave y seco luego de cada uso para evitar las manchas producidas por el agua, especialmente en áreas con agua dura.
- LIMPIE su espejo DECOLAV. Limpelo con un limpiador de vidrios y un paño suave. Use un limpiador suave de muebles para limpiar el marco de madera.
- DECOLAV recomienda sellar correctamente TODOS los productos de piedra natural ANTES DE LA INSTALACIÓN.

GARANTÍA COMPLETA DE PORVIDA

Cualquier Lav Deco, Inc. ("DECOLAV") producto (s), que se vende a partir de diciembre 1 de 2010, se garantiza que el consumidor final original de estar libres de defectos de cierto en los materiales y fabricación durante el uso normal residencial, siempre y cuando el consumidor posee objeto su casa a lo siguiente:

- Prueba de compra (recibo de compra original) del comprador original debe ser puesto a disposición de DECOLAV para todos los reclamos.
- La persona que invoque un asunto de la garantía debe ser capaz de establecer compra e instalación del producto.
- El personal autorizado de DECOLAV han inspeccionado el producto (s) y verifica que el producto (s) que presenta defectos de fabricación (s) (a menos que otros arreglos satisfactorios para DECOLAV se han acordado).
- El producto (s) se volvió a DECOLAV (menos que otros arreglos satisfactorios para DECOLAV se han acordado).
- El producto debe haber sido adquirido, directa o indirectamente, a través de un distribuidor autorizado de DECOLAV.

Esta garantía limitada no es transferible y se aplica sólo al consumidor final original y la instalación original del producto. Esta garantía limitada es nula si el producto ha sido movido de su lugar de instalación inicial o si la propiedad del producto ha cambiado. producto DECOLAV son producidos a partir de materias primas naturales y puede haber una leve variación de color de productos que aparecen en los catálogos, folletos, sitios web, o muestras de productos, o la producción anterior. Estos no son ejemplos de defectos de fabricación y no estarán cubiertos por esta garantía.

Esta garantía limitada no cubre cualquier pieza mecánica de ningún producto DECOLAV. Las partes mecánicas serán cubiertas por una garantía de un año, con todos los demás términos de esta garantía, excepto la duración. Esta garantía limitada no cubre el acabado, el color o la galvanoplastia de cualquier producto DECOLAV. El acabado, el color o la galvanoplastia de cualquier producto estará cubierto por una garantía de un año con todos los demás términos de esta garantía, la duración excepción.

Si este producto es utilizado comercialmente o instalado garantiza DECOLAV fuera de América del Norte, el producto está libre de defectos en materiales y mano de obra por un (1) año a partir de la fecha de instalación con todos los demás términos de esta garantía, excepto la duración.

ESTA GARANTÍA NO CUBRE LOS DAÑOS CAUSADOS POR envío, uso incorrecto, abuso, accidentes, negligencia, reparaciones no autorizadas o alteraciones, modificaciones, uso de otras piezas distintas a DECOLAV REEMPLAZO, TIERRA, EL SARRO y otros minerales, roces y arañazos, EXPOSICIÓN a las áreas marinas, uso anormal, y el desgaste y deterioro normal. Los defectos de instalación, mantenimiento inadecuado, manipulación incorrecta, uso indebido Y CONTRARIO, cuidado y limpieza inadecuados y todos los actos FUERA DEL CONTROL DECOLAV de ANULARÁ ESTA GARANTÍA LIMITADA.

Esta garantía limitada no se aplica al cumplimiento de normas de construcción locales. Dado que los códigos de construcción locales varían considerablemente, el comprador original del producto (s) deben consultar a un edificio de locales o contratista de plomería para garantizar el cumplimiento del código local antes de la instalación.

Si usted cree que usted tiene una reclamación válida, comuníquese con su distribuidor, contratista de plomería o minorista electrónico. Por favor, asegúrese de proporcionar toda la información pertinente a su reclamación, incluyendo una descripción completa del problema, producto, número de modelo, la fecha de compra del producto, de quien se compró el producto y la fecha de instalación y ubicación. También, asegúrese de proporcionar una copia de su factura de compra original. Para otras preguntas, por favor escribanos a: Deco Lav, Inc., Attn. Procesamiento de Planillas, 314 S. carretera Chimney Rock, Greensboro, NC 27409.

A la satisfacción de cada una de las anteriores condiciones y requisitos, DECOLAV, a su elección, reparará o reemplazará el producto defectuoso. DECOLAV devolverá el producto reparado o reemplazado bajo esta garantía limitada, al comprador original de prepago. Cierre todas las / los productos descatalogados (s), en el momento de una reclamación válida, será reparado o reemplazado por un artículo similar. DECOLAV opción de reparar o reemplazar el producto bajo esta garantía limitada no cubre los costos de mano de obra para retirar o instalar el producto DECOLAV, el uso y el tiempo de retardo, u otros costos de desinstalación o instalación alguna. EN NINGUN CASO DECOLAV SERÁN RESPONSABLES POR EL COSTO DE REPARACIÓN O REEMPLAZO DE LOS MATERIALES DE INSTALACIÓN, INCLUYENDO PERO NO LIMITADO A, encimeras, baldosas, mármol, granito, etc.

ESTA GARANTÍA NO CUBRE LA RESPONSABILIDAD POR DAÑOS DERIVADOS O INCIDENTAL DE TODOS LOS QUE QUEDAN EXPRESAMENTE RENUNCIA O LA AMPLIACIÓN MÁS ALLÁ DE LA DURACIÓN DE ESTA GARANTÍA LIMITADA. Algunos estados no permiten la exclusión o limitación de daños incidentales o consecuentes, de modo que la limitación o exclusión puede no aplicarse a usted.

LAS GARANTÍAS AQUÍ:

- SON EXCLUSIVAS Y EN LUGAR DE CUALQUIER OTRA GARANTÍA, YA SEA EXPRESA, LEGAL O IMPLÍCITAS, INCLUYENDO PERO NO LIMITADO A LAS GARANTÍAS DE COMERCIALIZACIÓN Y APTITUD PARA UN FIN DETERMINADO, A LAS QUE QUEDAN EXPRESAMENTE RENUNCIA.
- Ni aceptamos ni autorizamos a CONSUMIDOR FINAL NI NINGUNA OTRA PARTE PARA ASUMIR NINGUNA OTRA RESPONSABILIDAD EN RELACIÓN CON LA FABRICACIÓN O VENTA DE LOS PRODUCTOS.
- ESTÁN SUJETOS A LA LIMITACIÓN DE DAÑOS ANTES MENCIONADOS.