



DECOLAV®

SPEC SHEET
5605-5 SERIES

PRODUCT DESCRIPTION

5605-5 Series 24" Wall Mounted ADA Lavatory Console

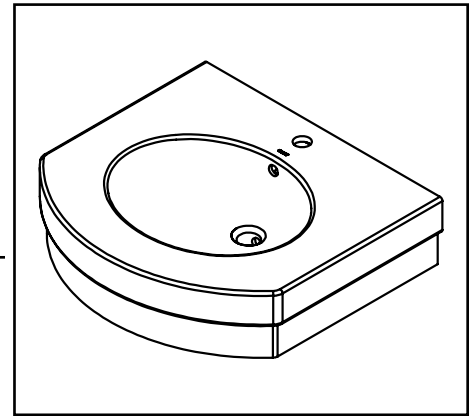
- Available in Cherry Finish
- ADA Compliant
- Includes Pure White Solid Surface Top with Integrated Lavatory
- Single Faucet Hole Drilling
- Stainless Steel Wall Bracket

PRODUCT MEASUREMENTS

- Width: 24"
- Depth: 22"
- Height: 7.38"

RECOMMENDED ACCESSORIES

- 250048-1 Large Mirror
- 9295 Grid Drain with Overflow
- 9297 Push Button Umbrella Drain with Overflow
- 9102 Decorative Bottle Trap



SINGLE HOLE
FAUCET DECK



ADA COMPLIANT



INCLUDES
OVERFLOW

ROUGHING-IN DIMENSIONS

Please Note: All drawings contain the necessary measurements which are subject to standard industry tolerances. They are stated in inches and are non-binding. Exact measurements, in particular for customized installation scenarios, can only be taken from the finished product.

