



PRODUCT DESCRIPTION

Cherry Finished Lavatory Console with Tempered Glass Top

- Elegantly refined wood base
- White finished integrated tempered glass top
- Storage drawer and display shelf
- 8" faucet drilling
- Mirror with display shelf included



PRODUCT MEASUREMENTS

- Console:**
- Width: 24 inches (60.96 cm)
 - Depth: 22 inches (55.88 cm)
 - Height: 34 inches (86.36 cm)

- Mirror:**
- Width: 22.75 inches (57.79 cm)
 - Depth: 4.4375 inches (11.27 cm)
 - Height: 24.125 inches (61.27 cm)

RECOMMENDED ACCESSORIES

- DECOLAV® 9296 Grid Drain
- DECOLAV® 9298 Push Button Closing Umbrella Drain
- DECOLAV® 9100 Decorative Bottle Trap

THANK YOU

Dear Valued Customer, DECOLAV® would like to take this opportunity to thank you for your purchase – It is our sincere hope that you are completely satisfied with your new product. We welcome and look forward to helping you create another unique look for your next bathroom project.

Prior to installation, please take a moment to review all provided materials and hardware. For assistance with your new product, please contact our dedicated DECOLAV® customer service staff.

Sincerely,

Robert H. Mayer
Chief Executive Officer and President

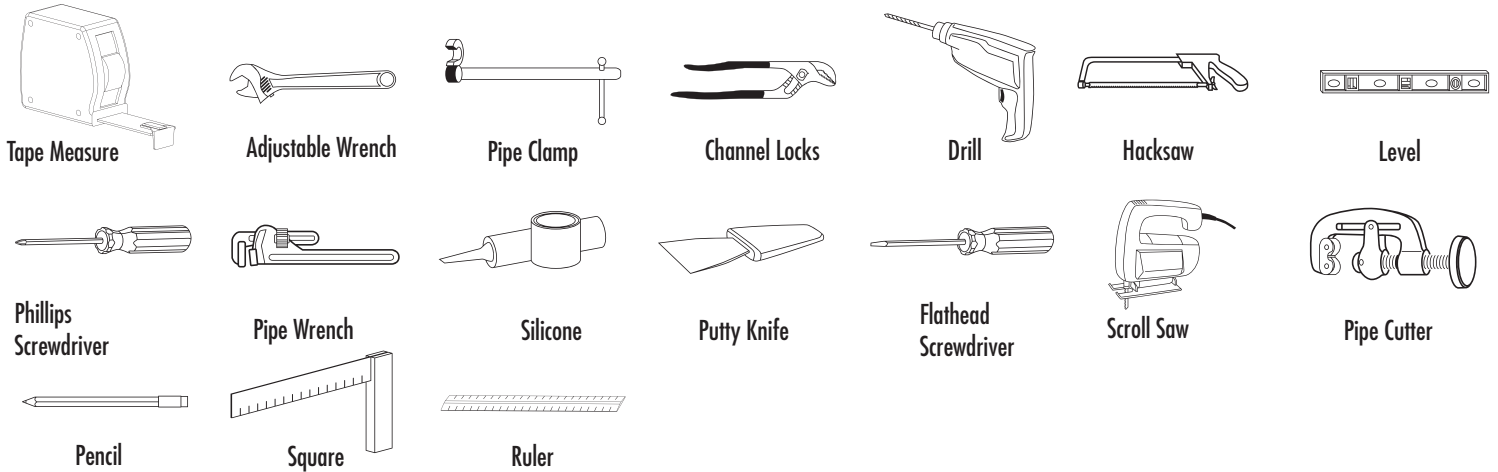


BEFORE YOU BEGIN

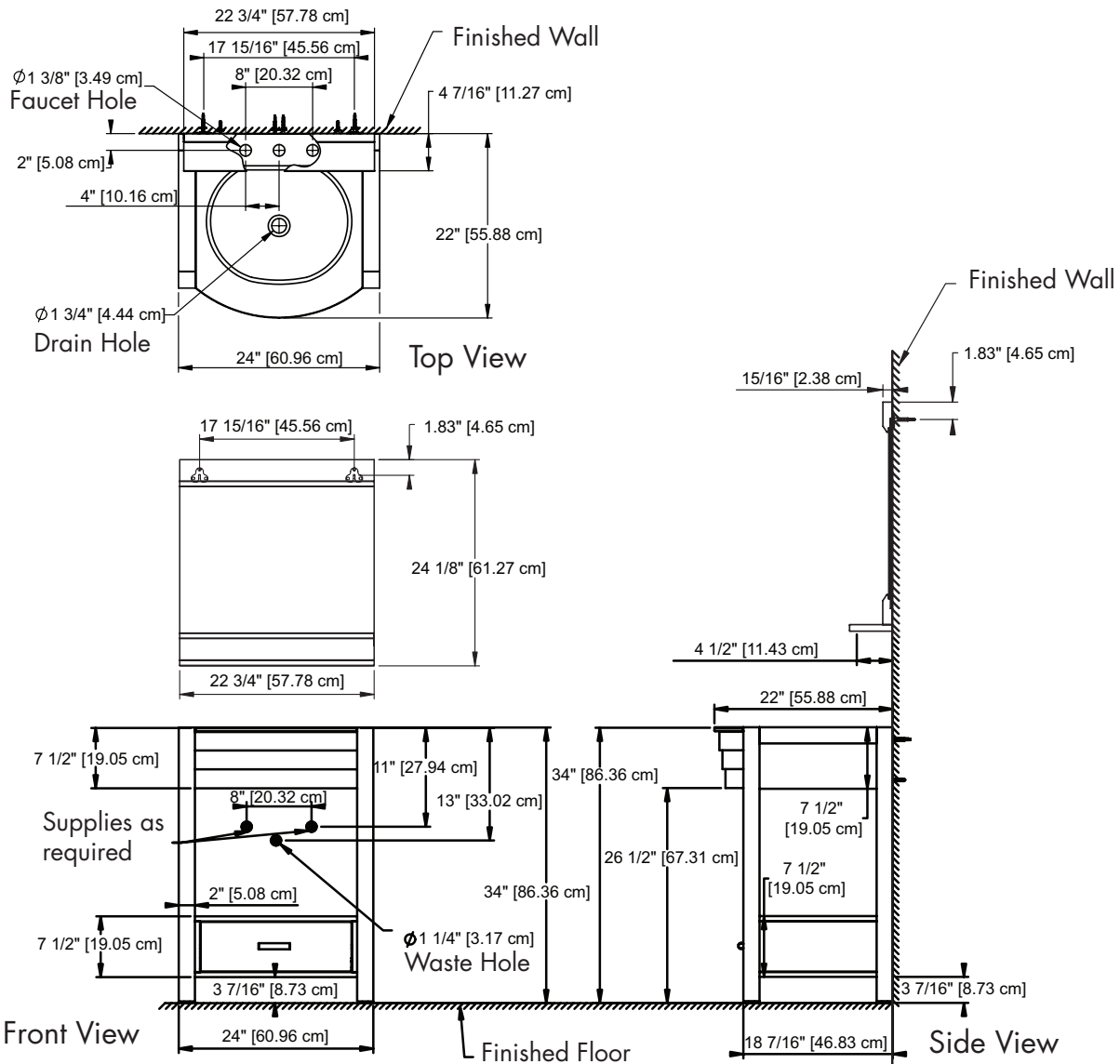
1. Prior to installation, unpack your new DECOLAV® product and inspect it. Keep the product in its original package until you are ready to install it.
2. The wall must be square, plumb and level.
3. Shut the water supply off when replacing an existing fixture. Preparation of the floors and walls, including all additional wall supports, may be required.
4. **Observe all local plumbing and building codes.**
5. It is recommended that this installation be done with a minimum of two people. Do not install this fixture alone.



RECOMMENDED TOOLS

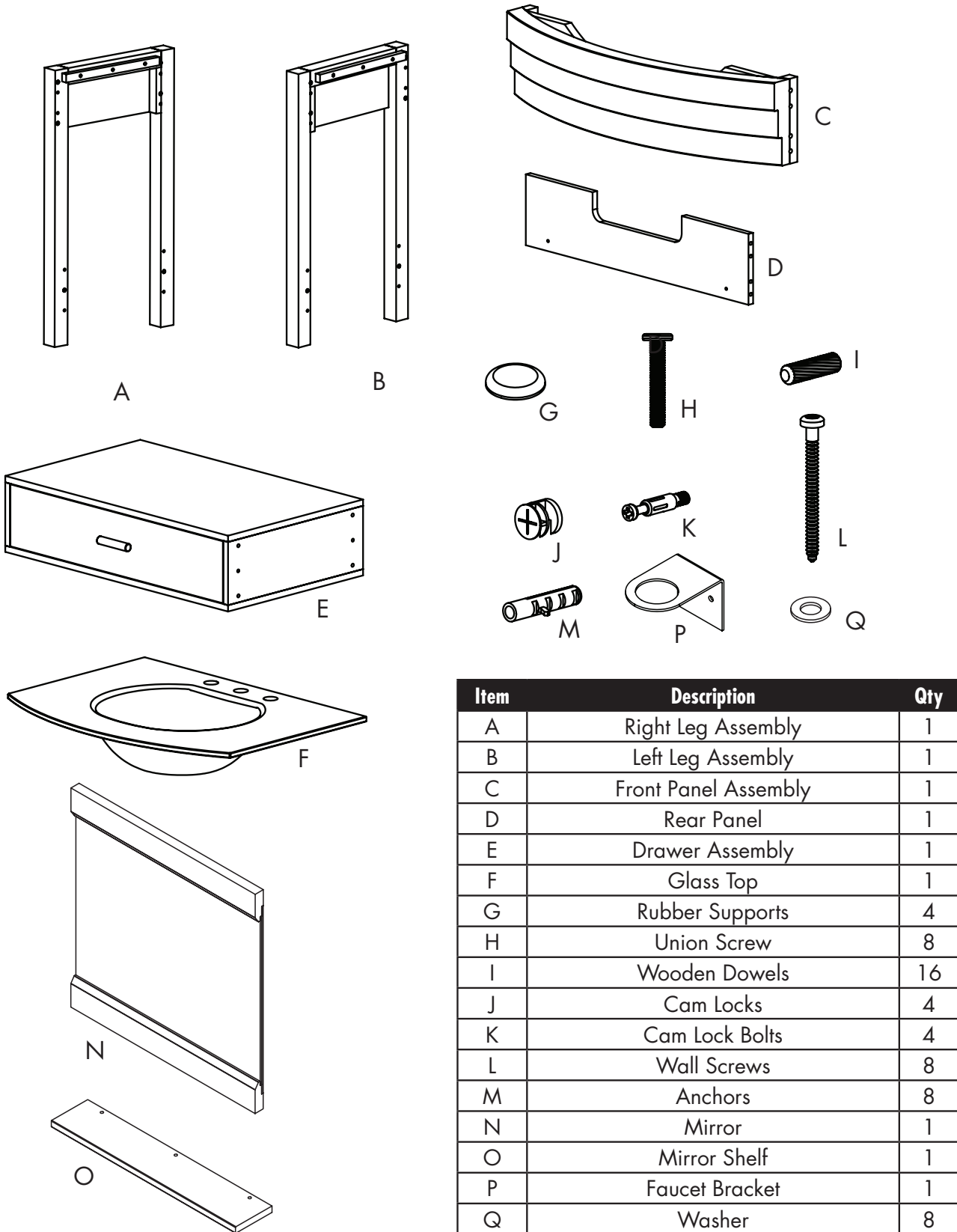


ROUGHING-IN DIMENSIONS





PARTS



Item	Description	Qty
A	Right Leg Assembly	1
B	Left Leg Assembly	1
C	Front Panel Assembly	1
D	Rear Panel	1
E	Drawer Assembly	1
F	Glass Top	1
G	Rubber Supports	4
H	Union Screw	8
I	Wooden Dowels	16
J	Cam Locks	4
K	Cam Lock Bolts	4
L	Wall Screws	8
M	Anchors	8
N	Mirror	1
O	Mirror Shelf	1
P	Faucet Bracket	1
Q	Washer	8

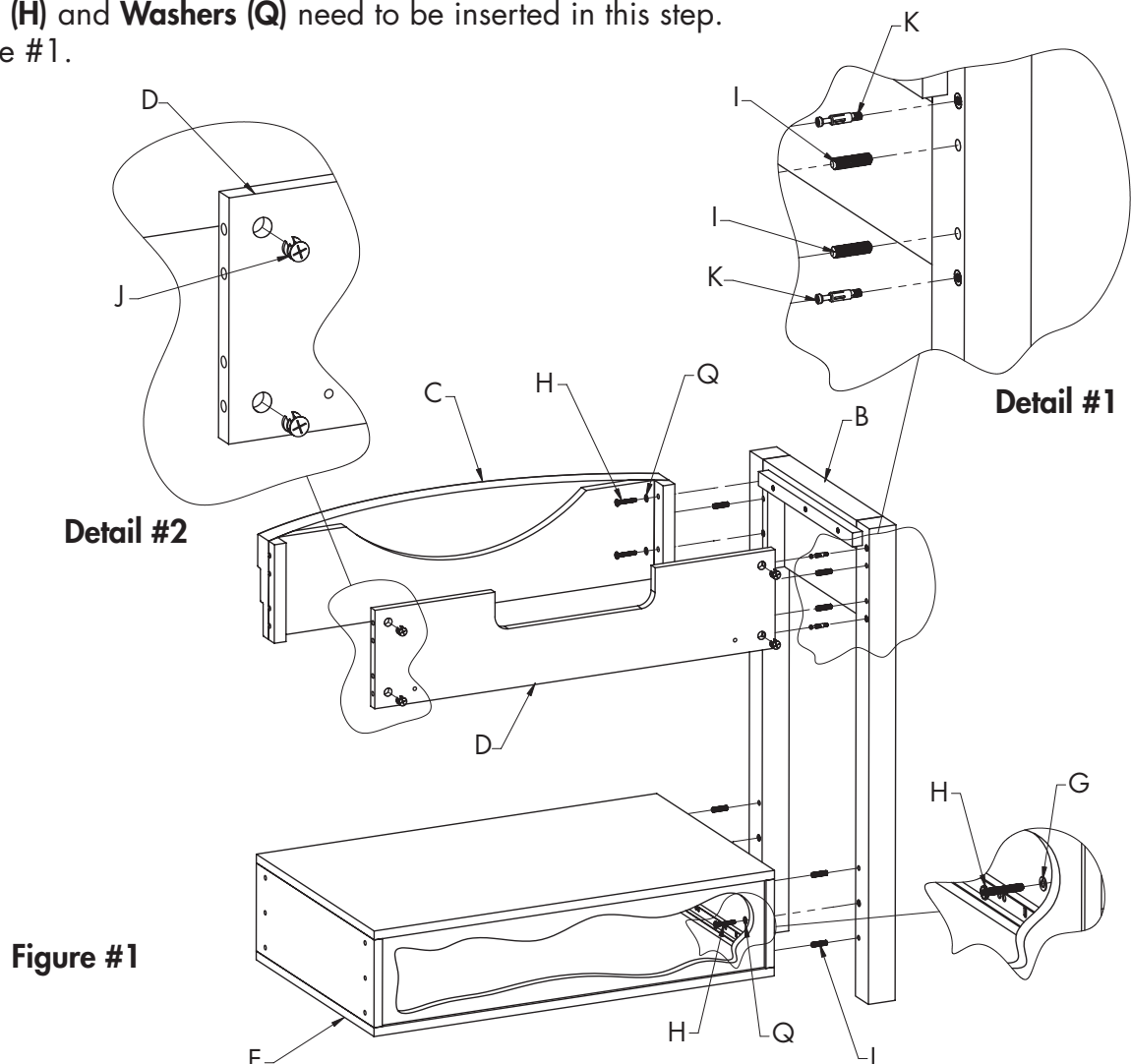


INSTALLATION INSTRUCTIONS

DECOLAV RECOMMENDS THAT INSTALLATION OF THIS UNIT TAKES PLACE ON A SOFT, NON-ABRASIVE, SCRATCH RESISTANT SURFACE IN ORDER TO PREVENT DAMAGE.

• STEP #1

- DECOLAV recommends installation from left to right. When inserting **Cam Lock Bolts (K)**, face open end towards side openings in order for Bolts to be inserted and attached properly.
- Screw **Cam Lock Bolts (K)** into **Left Leg Assembly (B)**.
- **NOTE: WOOD GLUE (NOT PROVIDED) SHOULD BE ADDED PRIOR TO ATTACHING WOODEN DOWELS!**
- Insert **Wooden Dowels (I)** into **Left Leg Assembly (B)**.
- Refer to Detail #1.
- Insert **Cam Locks (J)** into **Rear Panel (D)**.
- Refer to Detail #2.
- Attach **Front Panel Assembly (C)**, **Rear Panel (D)** and **Drawer Assembly (E)** to **Left Leg Assembly (B)**.
- Tighten **Cam Locks (J)** onto **Cam Lock Bolts (K)**.
- **NOTE: DRAWER NEEDS TO BE REMOVED OF DRAWER ASSEMBLY TO COMPLETE THIS STEP.**
- **Union Screws (H)** and **Washers (Q)** need to be inserted in this step.
- Refer to Figure #1.





INSTALLATION INSTRUCTIONS

• STEP #2

- o Repeat assembly to **Right Leg Assembly (A)** as shown.
- o Refer to Figure #2.

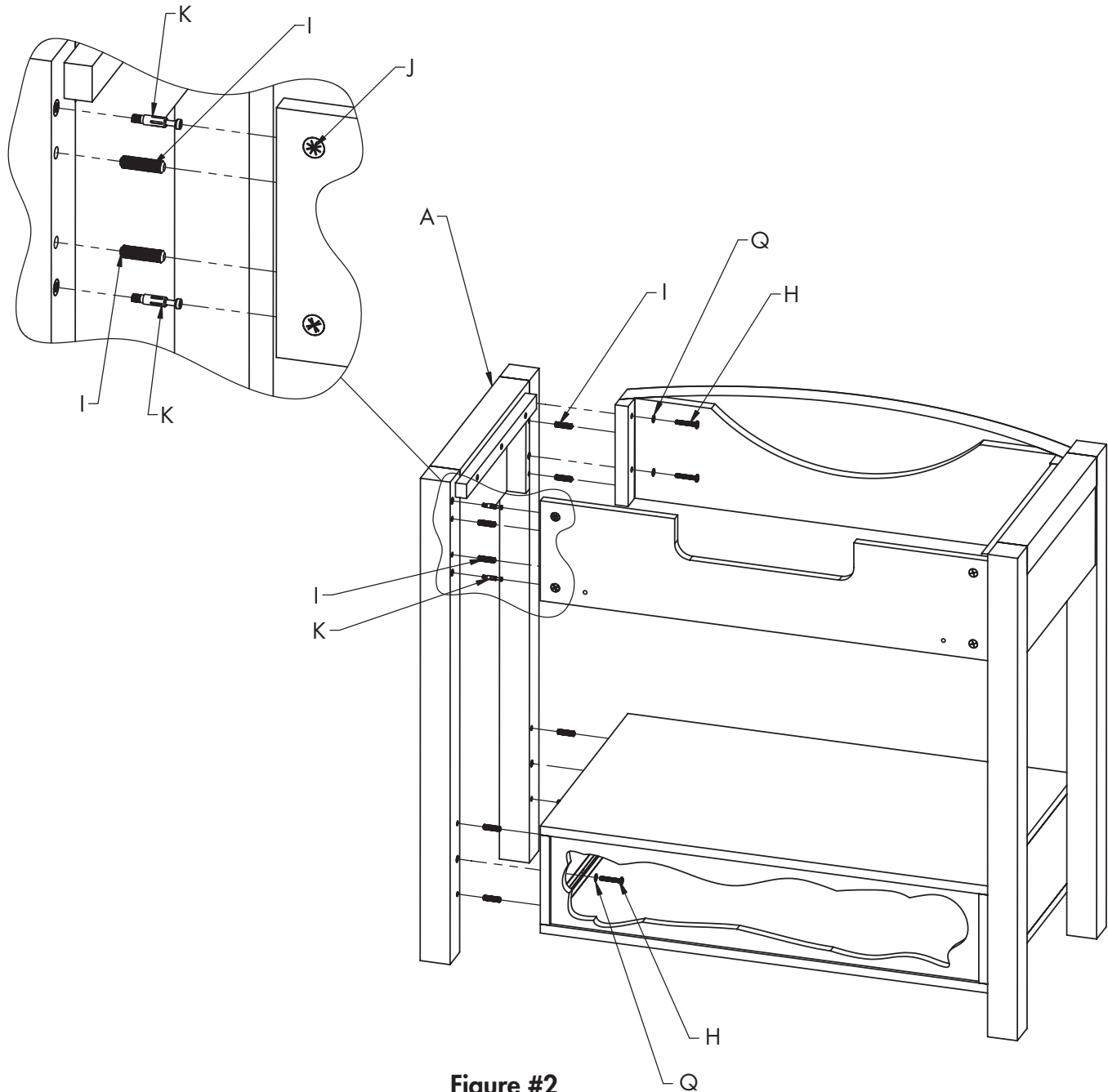


Figure #2



INSTALLATION INSTRUCTIONS

• STEP #3

- With assistance, place the Vanity at the desired location. Level and square the Vanity and mark the **Wall Screws (L)** locations through the mounting holes as shown.
- Remove the Vanity from the installation position. Drill holes, insert **Anchors (M)** and attach the unit to the wall using the Wall Screws.
- Align **Faucet Bracket (P)** to center faucet hole in **Glass Top (F)**, and attach it to the wall using **Wall Screws (L)** and **Anchors (M)** as shown.
- Refer to Figure #3.

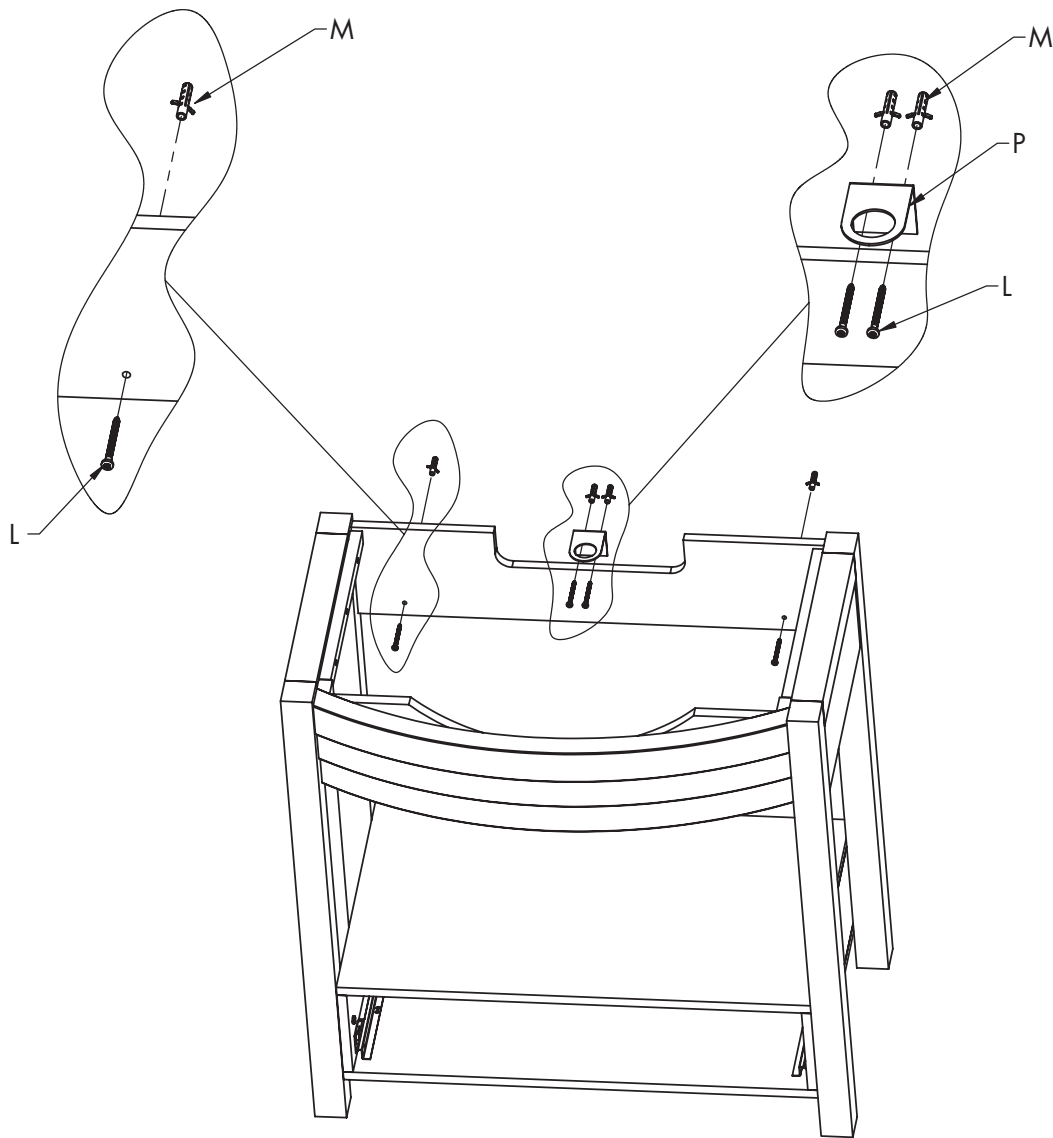


Figure #3



INSTALLATION INSTRUCTIONS

• STEP #4

- Add **Rubber Supports (G)** to the Vanity.
- Pull is attached to the inside of drawer for shipping safety. Remove Pull bolts and attach Pull to front side of drawer.
- Insert drawer back into **Drawer Assembly (E)**.
- Refer to Figure #4.
- Carefully lower **Glass Top (F)** onto **Rubber Supports (G)**.
- Ensure **Glass Top (F)** is flush with each corner of Leg Assemblies.
- Refer to Figure #5.

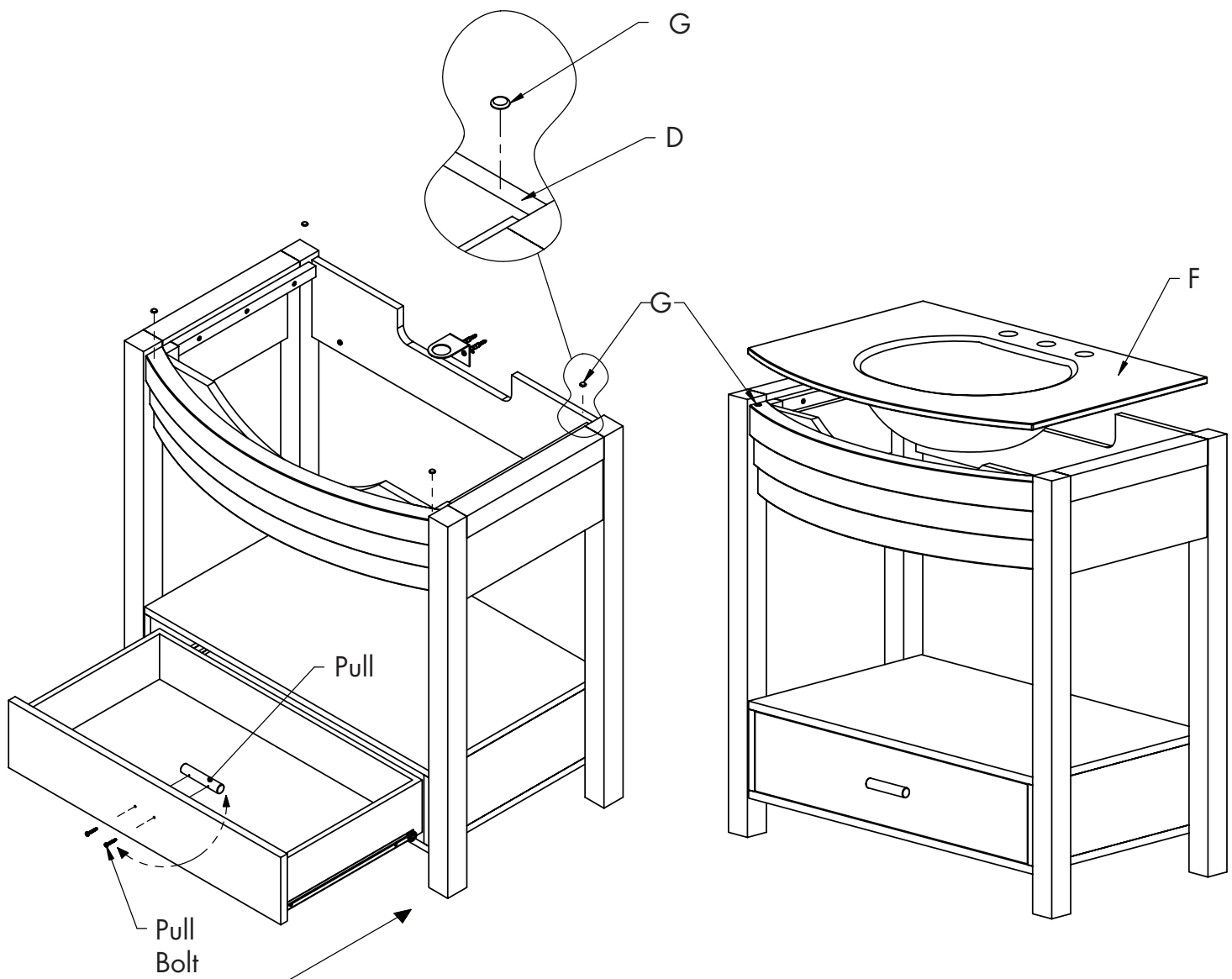


Figure #4

Figure #5



INSTALLATION INSTRUCTIONS

• STEP #5

- **NOTE: DRAIN SHOWN, DECOLAV® 9298 PUSH BUTTON CLOSING UMBRELLA DRAIN, IS A RECOMMENDED ACCESSORY AND NOT INCLUDED!**
- Install Drain according to manufacturer's installation instructions.
- **NOTE: DO NOT OVERTIGHTEN DRAIN!**
- Refer to Figure #6.

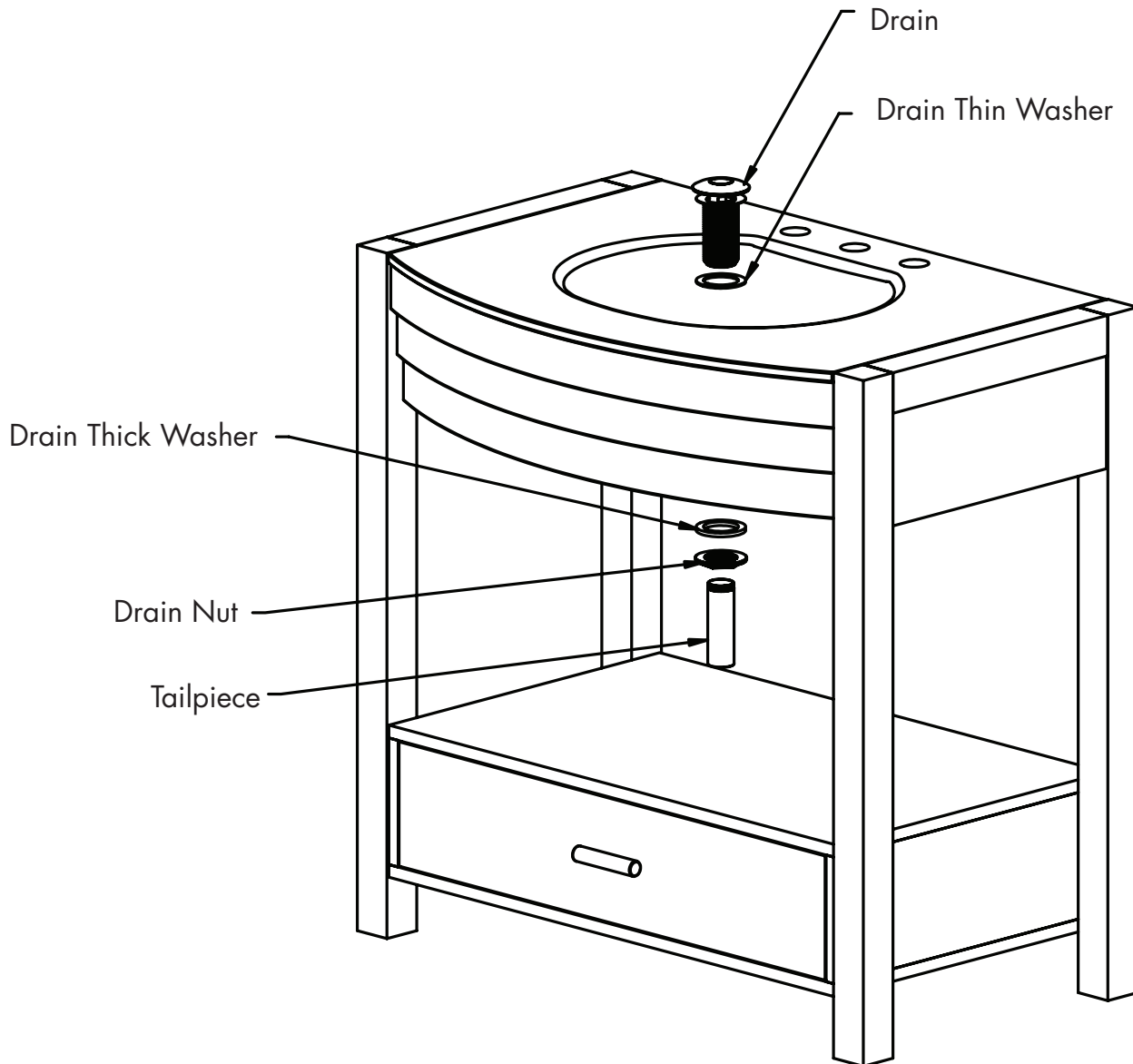


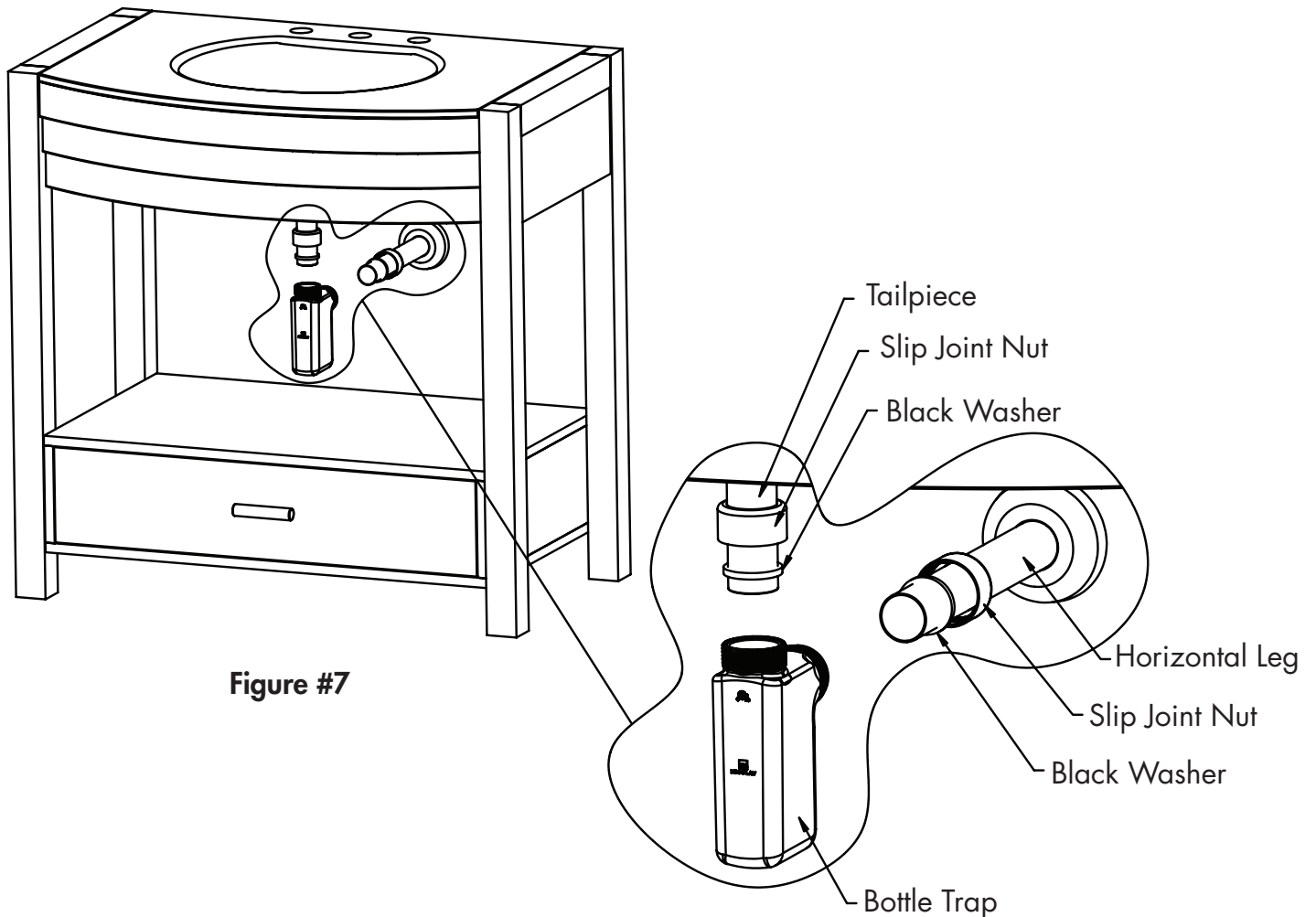
Figure #6



INSTALLATION INSTRUCTIONS

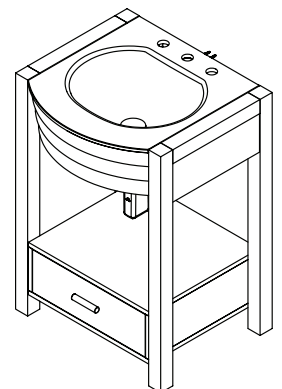
• STEP #6

- **NOTE: WASTE SYSTEM SHOWN, DECOLAV® 9100 DECORATIVE BOTTLE TRAP, IS A RECOMMENDED ACCESSORY AND NOT INCLUDED!**
- Install Waste System according to manufacturer's installation instructions.
- Refer to Figure #7.



• STEP #7

- Install faucet and water supply according to manufacturer's installation instructions.
- **NOTE: FAUCET AND WATER SUPPLY NOT INCLUDED!**
- Check for leakage.
- Refer to Figure #8 for finished vanity.





INSTALLATION INSTRUCTIONS

• STEP #8

- Using **Union Screws (H)** attach **Mirror Shelf (O)** to **Mirror (N)**.
- Refer to Figure #9.

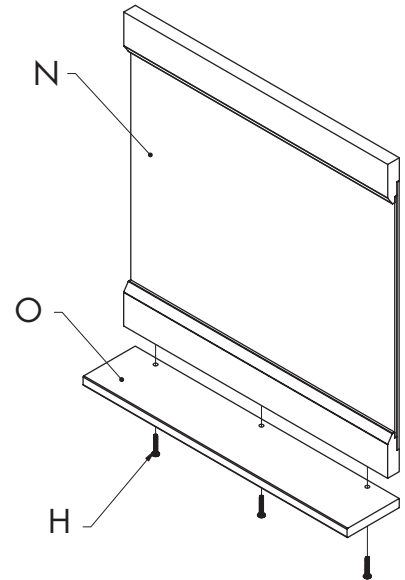


Figure #9

• STEP #9

- Prepare wall by drilling and inserting **Anchor (M)** at desired mounting location of the mirror assembly.
- Refer to Roughing-In Dimension, page 2, for holes location measurements.
- Attach **Wall Screw (L)** to **Anchor (M)** leaving approximately 3/8" (0.953cm) of screw revealed.
- Refer to Figure #10.

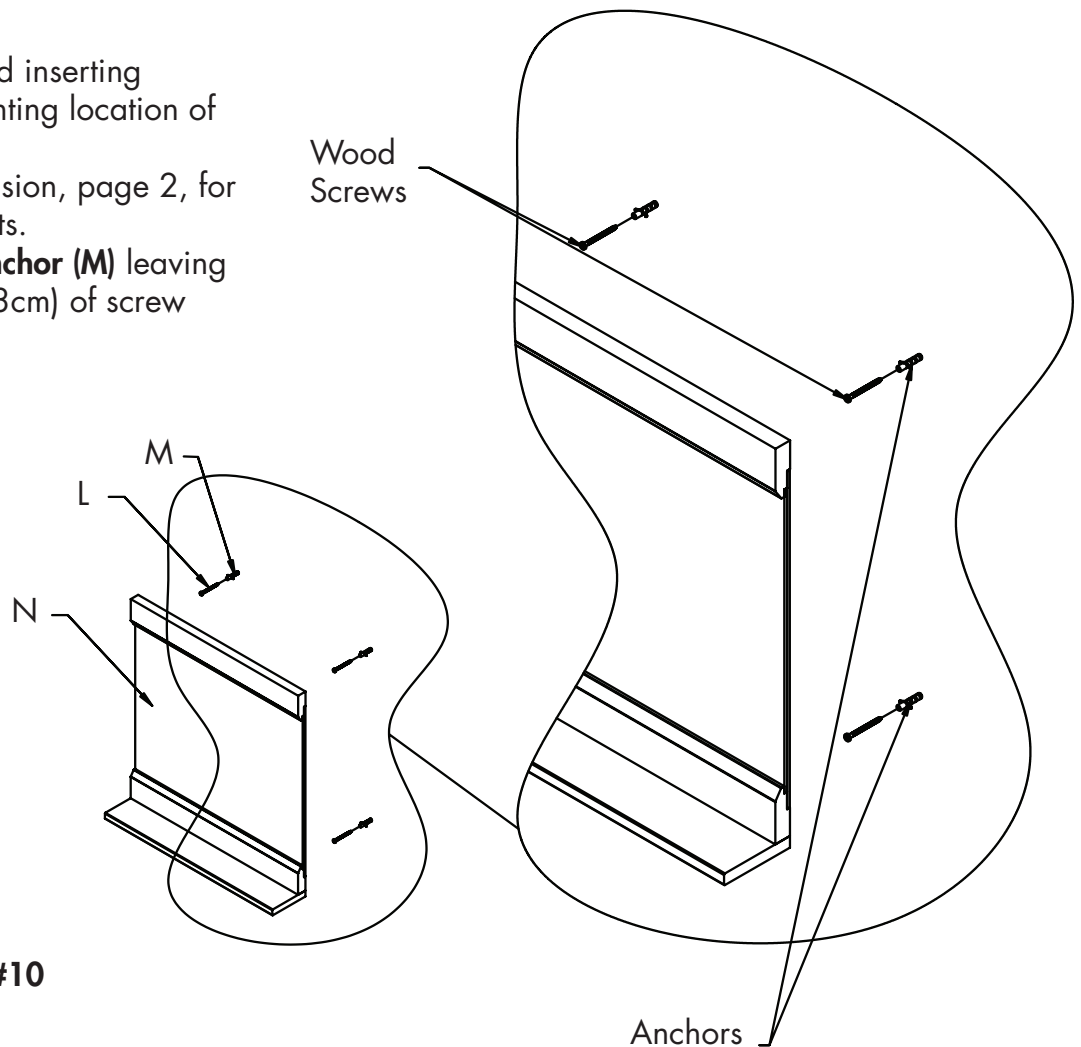


Figure #10



INSTALLATION INSTRUCTIONS

• STEP #10

- Hang **Mirror Assembly (N)** as shown.
- Refer to Figure #11 for finished unit.

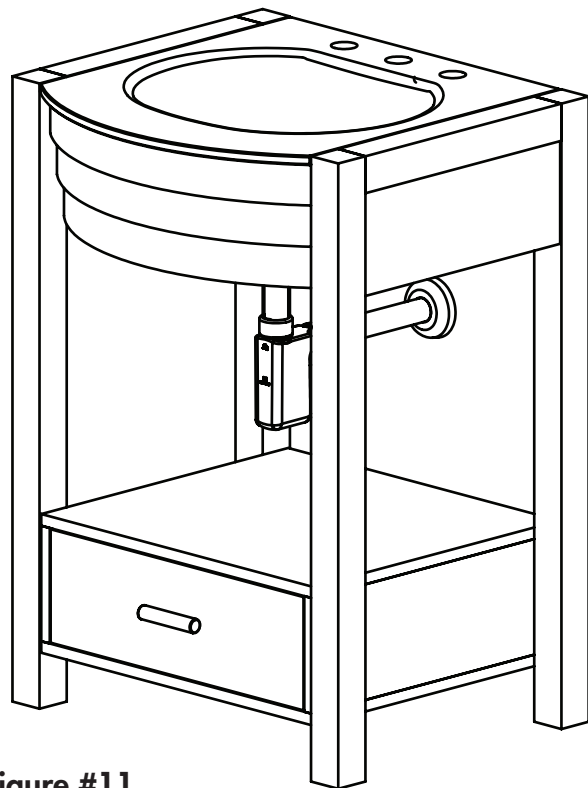
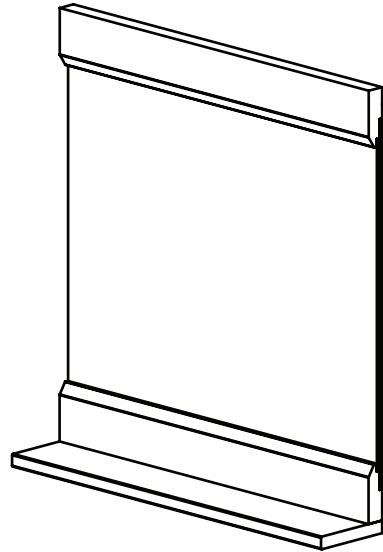


Figure #11



CARE AND CLEANING

- **DO NOT OVERTIGHTEN DRAIN.** Overtightening of the drain can damage your DECOLAV® product.
- **DO NOT** clean the product with Detergents, Acid, Abrasives, Harsh Cleaners or a cloth with a coarse surface (S.O.S.® Pads, Scotch Brite® Pads). This is good advice for any plumbing fixture regardless of material.
- **DO NOT** leave any cleaning agents other than water on your DECOLAV® product.
- **DO NOT** allow your DECOLAV® product to unnecessarily encounter other solid objects.
- **DO** clean your DECOLAV® product. Wipe with a damp cloth and dry with a soft cloth. If necessary, a general mild soap and water solution can be used. Use a mild furniture polish to clean wood frame.
- **DO** clean underside of your DECOLAV® product with mild soap and water ONLY.
- **DO** wipe your DECOLAV® product with a clean, dry, soft cloth after each use, as it will limit water spots, especially in hard water areas.
- **DO** clean your DECOLAV® mirror. Wipe with a glass cleaner and a clean soft cloth. Use a mild furniture polish to clean wood frame.
- **DECOLAV® recommends proper sealing of ALL natural stone products PRIOR TO INSTALLATION.**

FULL LIFETIME WARRANTY

Any Deco Lav, Inc. ("DECOLAV") product(s), sold after January 1, 2006, will be warranted to the original end consumer to be free of true defect(s) in material and workmanship for life of the product(s) subject to the following restrictions:

- DECOLAV is notified promptly in writing, via fax or mail, by the Retail/Wholesale Purchaser upon discovery of any alleged defect(s) in the product(s), including a detailed description of the alleged defect(s).
- Proof of purchase (original sales receipt) from the original end consumer must be made available to DECOLAV for all warranty claims.
- Authorized DECOLAV personnel has inspected the product(s) and determined the product(s) to have true manufacturing defect(s).
- Such product(s) are returned to DECOLAV (unless other arrangements satisfactory to DECOLAV have been agreed upon).

This Lifetime Warranty is non-transferable and applies only to the original end consumer and to the original installation of the product(s). This Lifetime Warranty is void if the product(s) has been moved from its initial installation site or if ownership of the product(s) has changed.

THIS LIFETIME WARRANTY DOES NOT COVER ANY DAMAGES CAUSED BY SHIPPING, MISUSE, ABUSE, ACCIDENTS, NEGLIGENCE, UNAUTHORIZED REPAIRS OR ALTERATIONS, MODIFICATIONS, USE OF OTHER THAN GENUINE DECOLAV REPLACEMENT PARTS, DIRT, LIME SCALE, AND OTHER MINERALS, SCUFFS AND SCRATCHES, EXPOSURE TO MARINE AREAS, ABNORMAL USAGE, AND NORMAL WEAR AND TEAR. ANY IMPROPER INSTALLATION, IMPROPER MAINTENANCE, IMPROPER HANDLING, IMPROPER AND CONTRARY USES NOT STATED WITHIN INSTRUCTIONS, AND ALL ACTS BEYOND DECOLAV'S CONTROL WILL VOID THIS LIFETIME WARRANTY.

DECOLAV's product(s) are produced from natural raw materials and there is a slight color variance. This is **NOT** a manufacturing defect(s) and will not be covered under this Lifetime Warranty.

This Lifetime Warranty does not apply to local building code compliance. Since local building codes vary considerably, the original end consumer of the product(s) should check with a local building or plumbing contractor to ensure local code compliance before installation.

This Lifetime Warranty does not cover any mechanical pieces of any DECOLAV product(s). These mechanical pieces will be covered under a One Year Warranty, based on the same criteria as this Lifetime Warranty, from the date of the initial purchase.

Upon satisfaction of each of the foregoing conditions and requirements, DECOLAV shall, at its option, either repair or replace such defective product(s). DECOLAV shall return any product(s) repaired or replaced under this Lifetime Warranty to the original end consumer transportation prepaid. All Closeout/Discontinued product(s), at time of claim, will either be repaired or replaced with a comparable item.

DECOLAV's option to repair or replace the product(s) under this Lifetime Warranty does not cover any cost of labor to remove or install the DECOLAV product, usage and delay time, or other costs of removal or installation whatsoever. **IN NO EVENT WILL DECOLAV BE LIABLE FOR THE COST OF REPAIR OR REPLACEMENT OF ANY INSTALLATION MATERIALS, INCLUDING BUT NOT LIMITED TO, TILES, MARBLE, ETC.**

This Lifetime Warranty does not cover any liability for consequential or incidental damages, all of which are hereby expressly disclaimed, or the extension beyond the duration of this Lifetime Warranty. Some states do not allow the exclusion or limitation of incidental or consequential damages, so the above limitation or exclusion may not apply to you.

THE WARRANTIES HEREIN (A) ARE EXCLUSIVE AND STATED IN LIEU OF ALL OTHER WARRANTIES, WHETHER EXPRESS, STATUTORY, OR IMPLIED, INCLUDING BUT NOT LIMITED TO THE WARRANTIES OF MERCHANTABILITY AND FITNESS FOR AN INTENDED PURPOSE, ALL OF WHICH ARE HEREBY EXPRESSLY DISCLAIMED; (B) NEITHER ASSUME NOR AUTHORIZE PURCHASER NOR ANY OTHER PARTY TO ASSUME FOR DECOLAV ANY OTHER LIABILITIES IN CONNECTION WITH THE MANUFACTURE OR SALE OF PRODUCTS; AND (C) ARE SUBJECT TO THE LIMITATIONS ON DAMAGES AS SET FORTH ABOVE