

## SPECIFICATIONS

### 4" PERK™ THREE-FUNCTION SHOWERHEAD

**Model**

DH460077

**Description**

- 3 functions: wide, centerjet and aeration
- D-Force™ and Air Injection Technology
- Easy-Glide™ selector ring
- Optimizes water intensity even at low pressures
- With 56 jets
- Maximum flow rate 2.5 gpm @20 - 80 psi

**Standards**

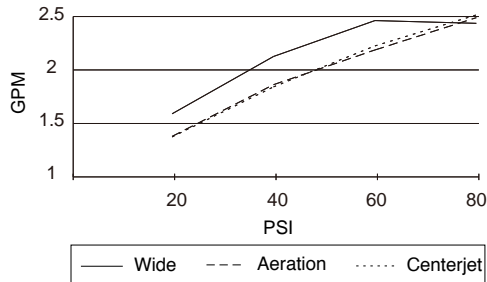


- UPC/cUPC
- Energy policy act of 1992

**Warranty**

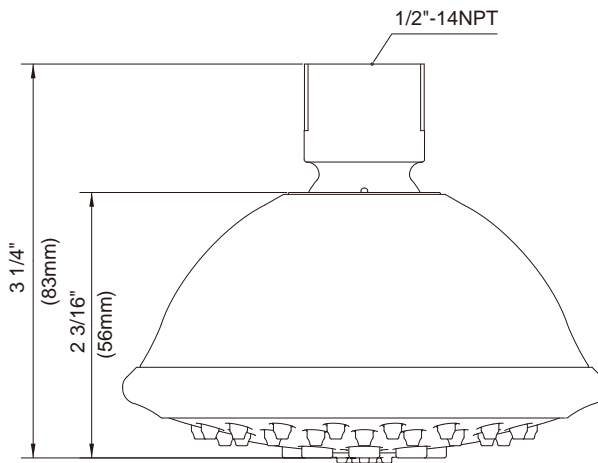
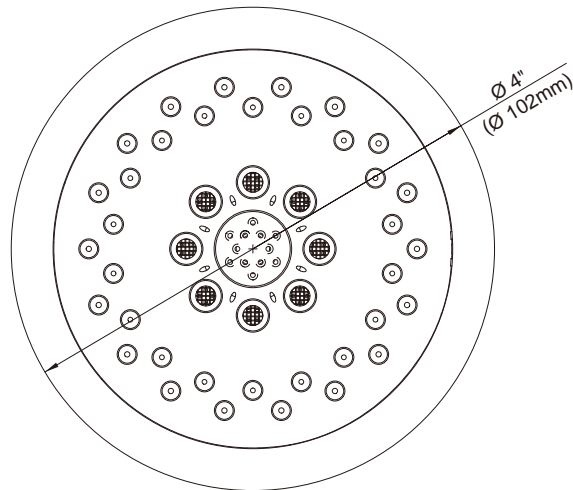
Danze products are covered by a manufacturer's limited "lifetime" warranty for manufacturing defects.

**Flow Rate**



**Finishes Available**

- Chrome
- Brushed Nickel



**Submittal Information:**

Job Name: \_\_\_\_\_  
 Contractor: \_\_\_\_\_

Location: \_\_\_\_\_  
 Contact #: \_\_\_\_\_