

SPECIFICATIONS

ST. CHARLES ROMAN TUB FAUCET

Model

STC-ROM

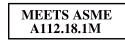
Description

- Ceramic disc cartridges
- Metal lever handles
- Solid brass construction

Standards



- UPC/cUPC
- Energy Policy Act of 1992



- ASME A112.18.1M



- ADA Accessibility Guidelines for Buildings and Facilities - 4.27.4 Controls and Mechanisms

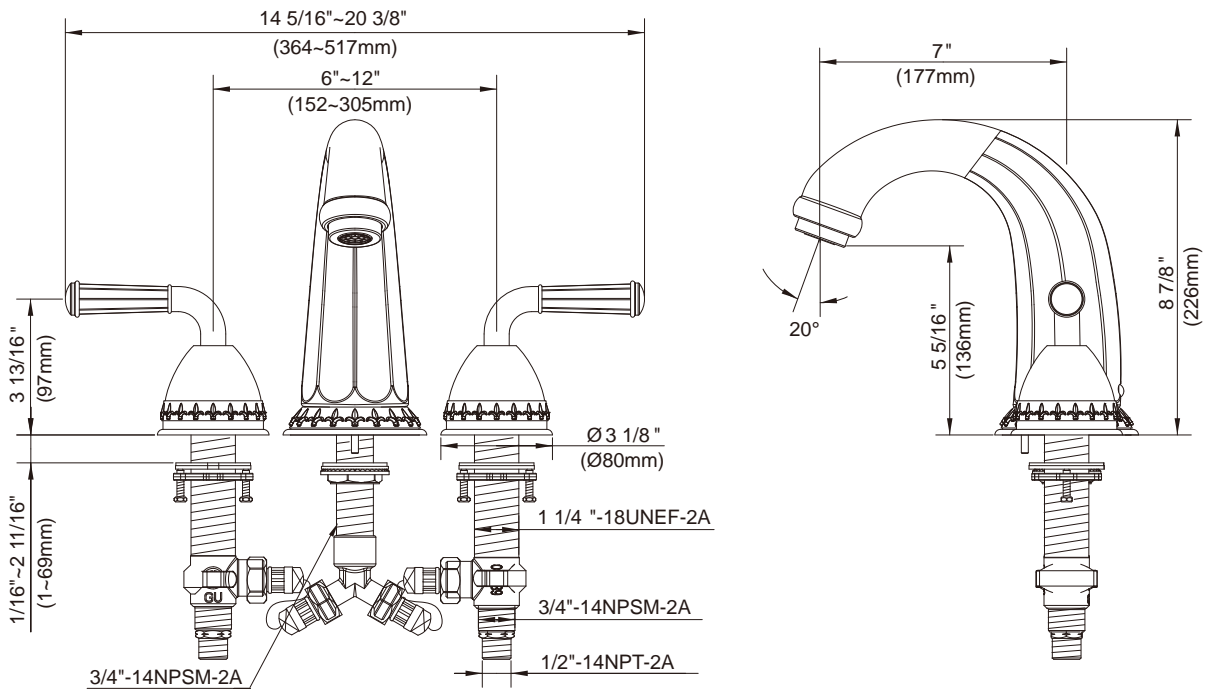
Warranty

Danze products are covered by a manufacturer's limited "lifetime" warranty for manufacturing defects.



Finishes Available

- Medium Bronze
- Other: Refer to Price List for additional finish



Submittal Information:

Job Name: _____

Location: _____

Contractor: _____

Contact #: _____