

## SPECIFICATIONS

### PARMA™ TWO HANDLE KITCHEN FAUCET

#### Model

SBH-KIT

#### Description

- Ceramic disc cartridges
- Metal cross handles
- Single hole installation
- 2.2 GPM (8.3L/min) maximum aerator @60 psi

#### Standards



Certified to NSF/ANSI 61  
Section 9

- NSF 61-9
- Energy Policy Act of 1992



NSF/ANSI 372

- ASME A112.18.1M/A112.18.1
- NSF/ANSI 372

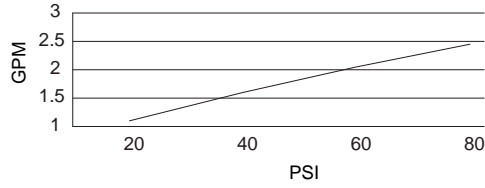


- ADA Accessibility Guidelines for Buildings and Facilities - 4.27.4 Controls and Mechanisms

#### Warranty

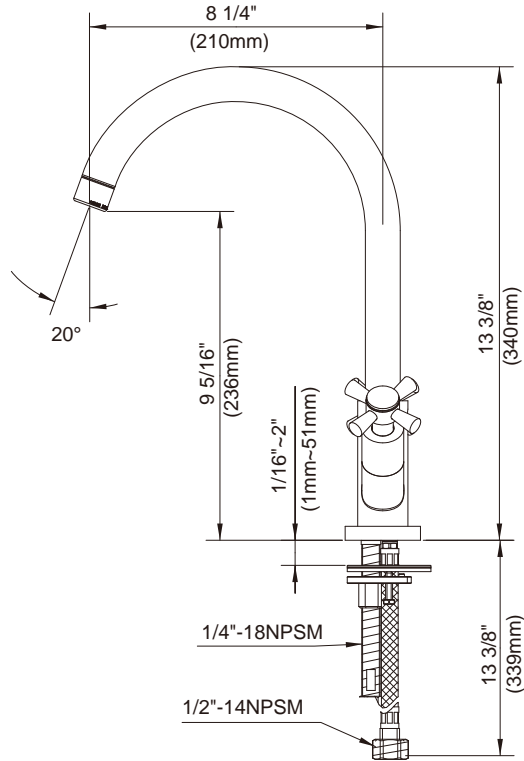
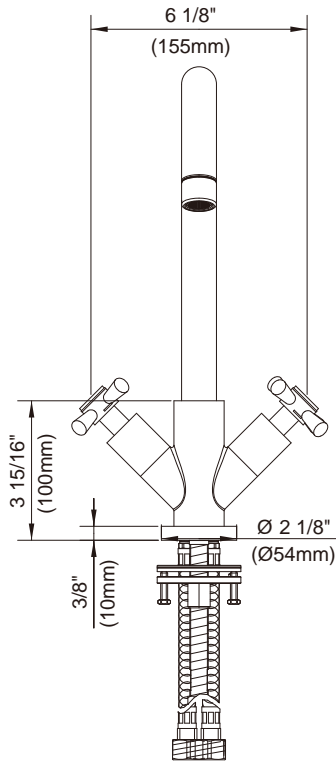
Danze products are covered by a manufacturer's limited "lifetime" warranty for manufacturing defects.

#### Flow Rate



#### Finishes Available

- Polished Chrome
- Other: Refer to Price List for additional finish



Submittal Information:

Job Name: \_\_\_\_\_

Location: \_\_\_\_\_

Contractor: \_\_\_\_\_

Contact #: \_\_\_\_\_