

SPECIFICATIONS

505 SUPPLY MOUNT ASSEMBLY HANDSHOWER KIT

Model

D462050

Description

- 5 function 505 handshower: wide, centerjet, aeration, massage and wide + centerjet
- D-Force™ Technology
- 72" metal hose
- Maximum flow rate 2.5 gpm @ 80 psi
- Supply mount assembly provides code approved back flow prevention Ω

Standards

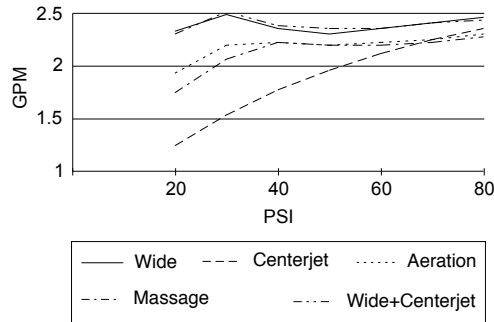


- UPC/cUPC
- Energy Policy Act of 1992

Warranty

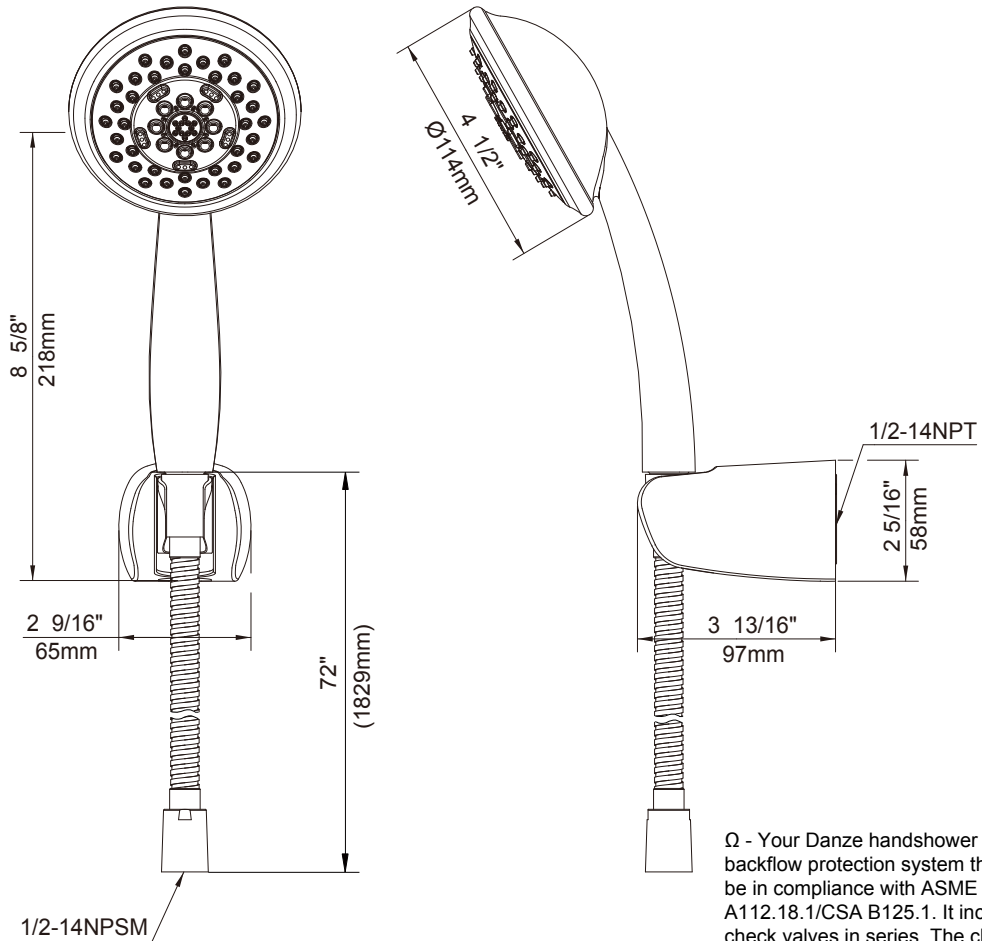
Danze products are covered by a manufacturer's limited "lifetime" warranty for manufacturing defects.

Flow Rate



Finishes Available

- Chrome
- Other: Refer to Price List for additional finish



Ω - Your Danze handshower kit incorporates a backflow protection system that has been tested to be in compliance with ASME A112.18.3 and ASSME A112.18.1/CSA B125.1. It incorporates two certified check valves in series. The check valves are located in the handshower handle, and either the supply mount or the showerarm mount outlet.

Submittal Information:

Job Name: _____

Location: _____

Contractor: _____

Contact #: _____