

SPECIFICATIONS

FAIRMONT™ TWO HANDLE CENTERSET LAVATORY FAUCET

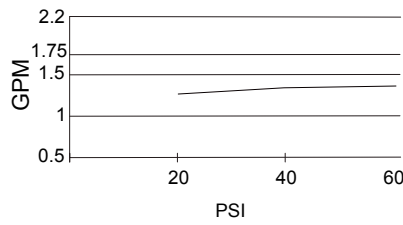
Model

D301040

Description

- Ceramic disc valves
- 5" high spout, 3 1/2" spout length, laminar flow
- With metal touch-down drain assembly
- 3 hole mount
- 1.5gpm (5.7L/min) maximum flow rate @60 psi

Flow Rate



Standards



NSF/ANSI 372

- NSF/ANSI 372



- ASME A112.18.1M/A112.18.1



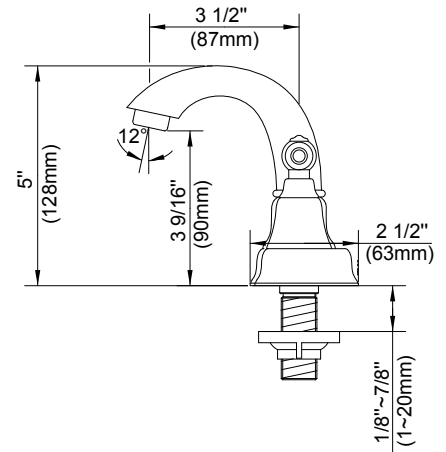
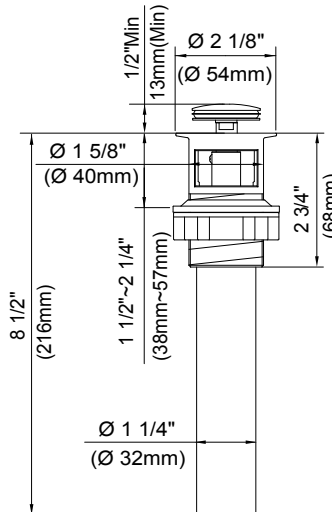
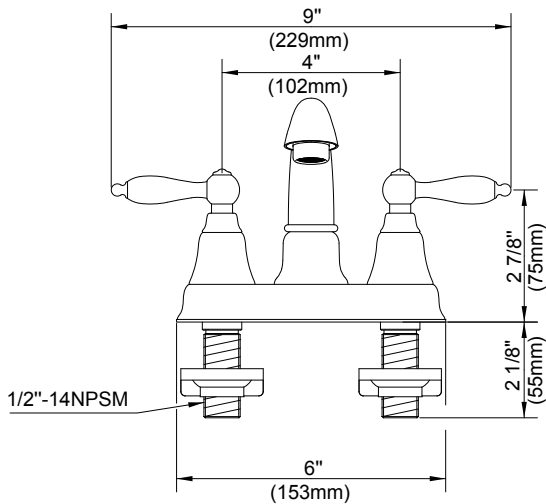
- ADA Accessibility Guidelines for Buildings and Facilities - 309.4 Operation for Operable Parts

Warranty

Danze products are covered by a manufacturer's limited "lifetime" warranty for manufacturing defects.

Finishes Available

- Chrome
- Other: Refer to Price List for additional finish



Submittal Information:

Job Name: _____
 Contractor: _____

Location: _____
 Contact #: _____