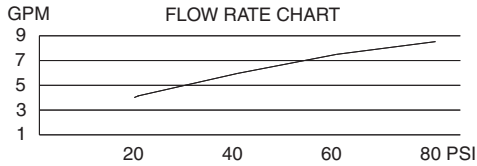


### SINGLE HANDLE PRESSURE BALANCE TUB & SHOWER FAUCET

#### Description

- Single handle with 6" octagon showerhead
- Cast slip-fit spout
- Diverter on valve (Tub & Shower only)
- Back to back installation capabilities

#### Flow & Valving



#### Standards

- ASME A112.18.1
- CSA B125
- ASSE 1016
- Listed IAPMO/UPC
- Energy policy act of 1992
- ADA Accessibility Guidelines for Buildings and Facilities - 4.27.4 Controls and Mechanisms (lever handle only)

#### Warranty

Danze products are covered by a manufacturer's limited "lifetime" warranty for manufacturing defects.



D503066 (shown)  
BRANDYWOOD™

#### With Diverter & Stops:

D503066 (Tub/Shower)  
D503068 (Tub/Shower)

#### With Stops:

D503566 (Shower only)  
D503568 (Shower only)

#### Available Colors & Finish

- Chrome
- Brushed Nickel (BN)

#### Handle Suffix:

66 : cross handle

68 : lever handle



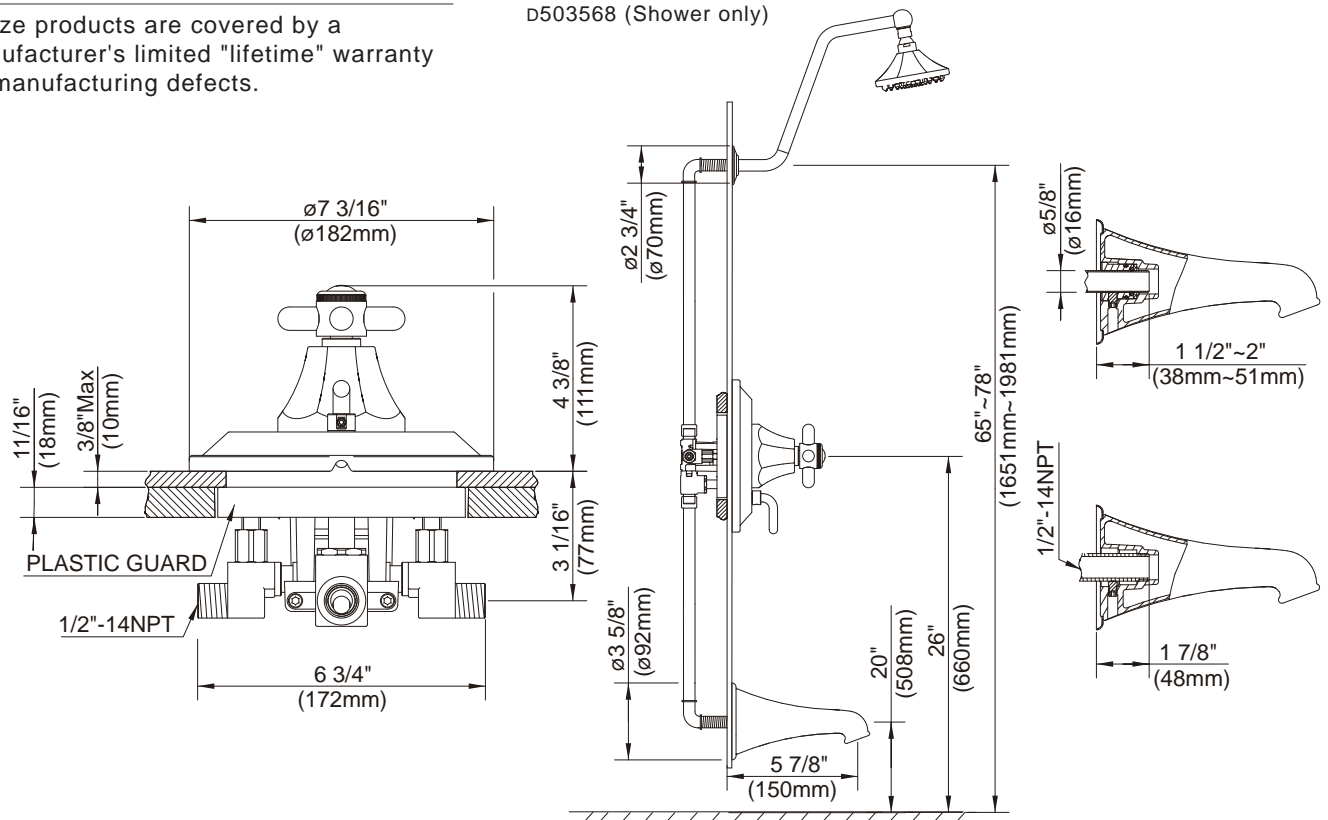
#### Trim Kits: (for use w/pressure balance valves)

- D500666T (Tub trim w/valve escutcheon) ▲
- D500668T (Tub trim w/valve escutcheon) ▲
- D500466T (Valve only escutcheon trim w/diverter)
- D510466T (Valve only escutcheon trim w/o diverter)
- D500468T (Valve only escutcheon trim w/diverter)
- D510468T (Valve only escutcheon trim w/o diverter)

#### Special Packaging

- This product also available with valve packaged separate from trim.
- Tub & Shower and Valve Only Escutcheon w/Diverter Trim Kit - use w/valve: D113000BT (w/diverter & stops)
- Shower Only & Tub & Valve Only Escutcheon w/o Diverter Trim Kit - use w/valve: D112000BT (w/stops) or D115000BT (w/o stops)
- Pressure Balance Valves are combination 1/2" copper sweat, 1/2" NPT threaded connectors for all ports. V

▲ Will be discontinued, limited stock available

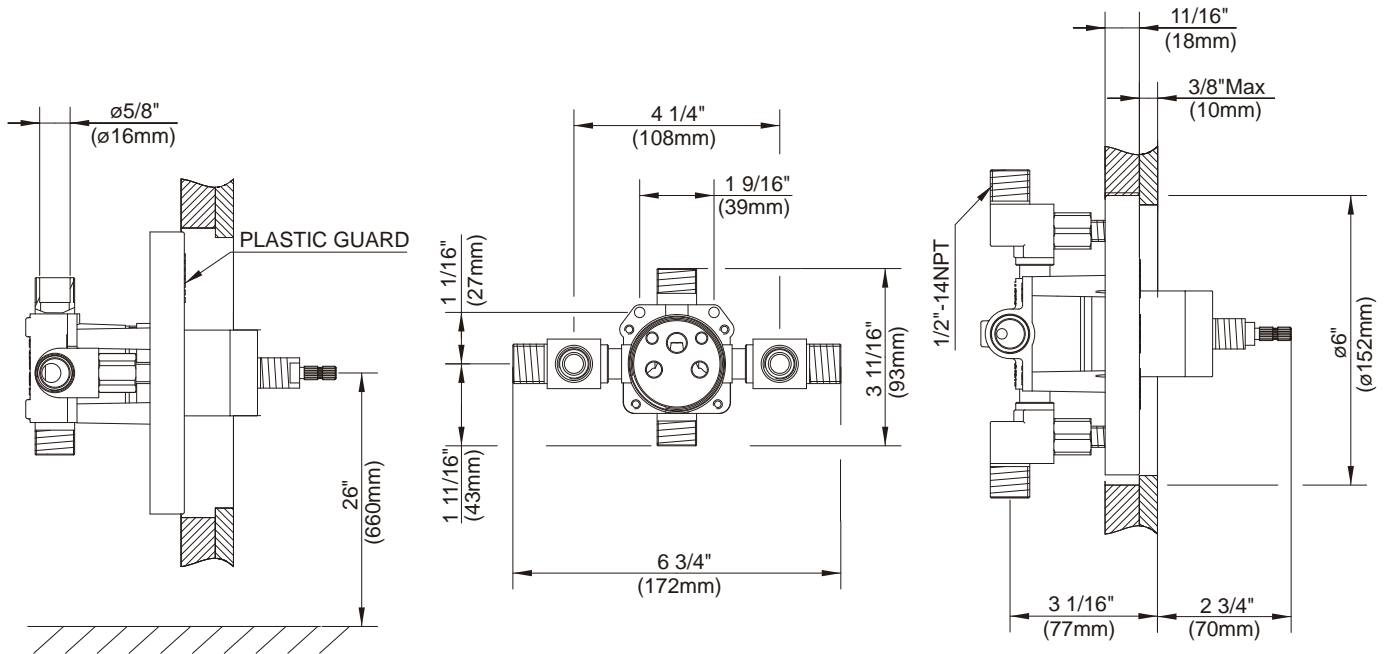


Specific Features: \_\_\_\_\_ Submitted Model No.: \_\_\_\_\_

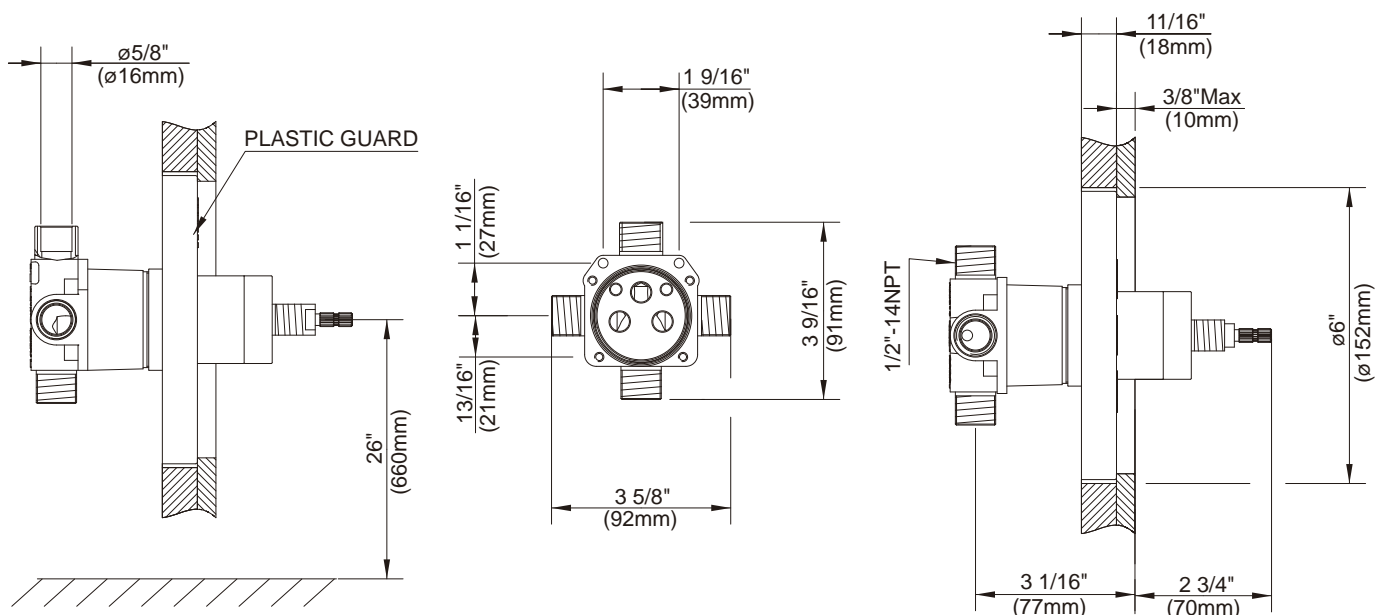
### SINGLE HANDLE PRESSURE BALANCE TUB & SHOWER VALVES

Critical Dimensions : Rough-in valve D112000BT (w/stops) & D115000BT (w/o stops)

#### W/SCREWDRIVER STOPS



#### W/DIVERTER & STOPS



Specific Features: \_\_\_\_\_ Submitted Model No.: \_\_\_\_\_

SD503066/11-08.03