

SPECIFICATIONS

4" 503D THREE-FUNCTION SHOWERHEAD

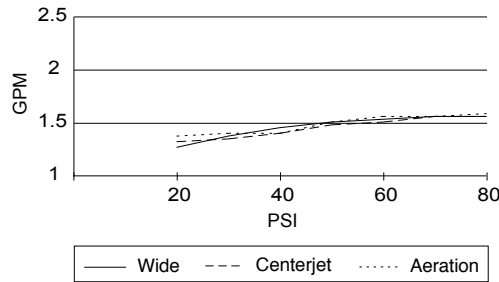
Model

D460019

Description

- 3 functions: wide, centerjet and aeration
- D-Force™ Technology
- Brass ball joint with polymer shell
- Easy-Glide™ selector ring
- Optimizes water intensity even at low pressures
- With 56 jets
- Maximum flow rate 1.75 gpm @ 20 - 80 psi
- Uses 30% less water than a standard showerhead flowing at 2.5 GPM

Flow Rate



Standards



- UPC/cUPC
- Energy Policy Act of 1992

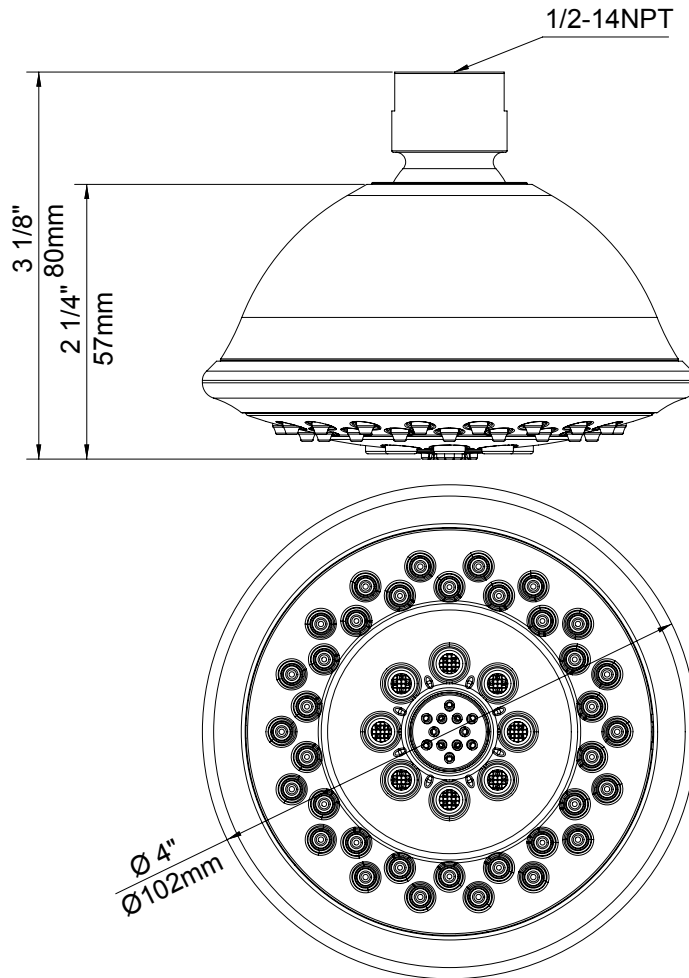


Warranty

Danze products are covered by a manufacturer's limited "lifetime" warranty for manufacturing defects.

Finishes Available

- Chrome



Submittal Information:

Job Name: _____

Location: _____

Contractor: _____

Contact #: _____