


ROMAN TUB FAUCET WITH SOFT TOUCH PERSONAL SHOWER™

Description

- Distinctive ribbon spout
- Soft Touch Personal Shower™ with integral diverter system*
- Spout plug for pressure testing & plaster guard
- Fits 1 3/8" to 1 1/2" diameter mounting hole

Standards

- ASME A112.18.1
- CSA B125
- Listed IAPMO/UPC
- ADA Accessibility Guidelines for Buildings and Facilities - 4.27.4 Controls and Mechanisms 

Warranty

Danze products are covered by a manufacturer's limited "lifetime" warranty for manufacturing defects.



D301944
SIRIUS™



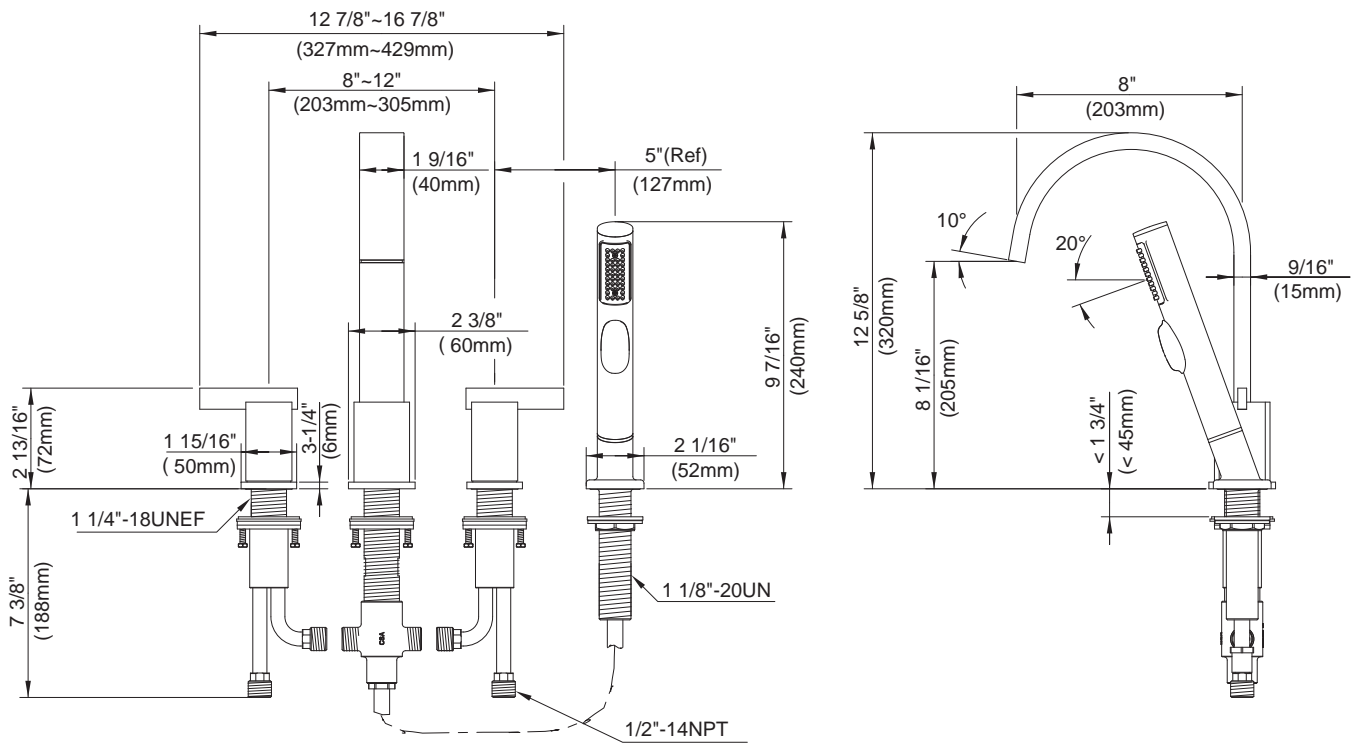
Available Colors & Finish

- Chrome
- Brushed Nickel (BN)

Trim Kits: (for use w/ rough-in valves)
D302044T (w/o Personal Shower)

Special Packaging

- This product also available with valve packaged separate from trim.
- Use with rough-in valve: D210000BT (10" CC fixed) OR D215000BT (widespread)
- Valves are combination 1/2" copper sweat, 1/2" NPT threaded connectors for all ports



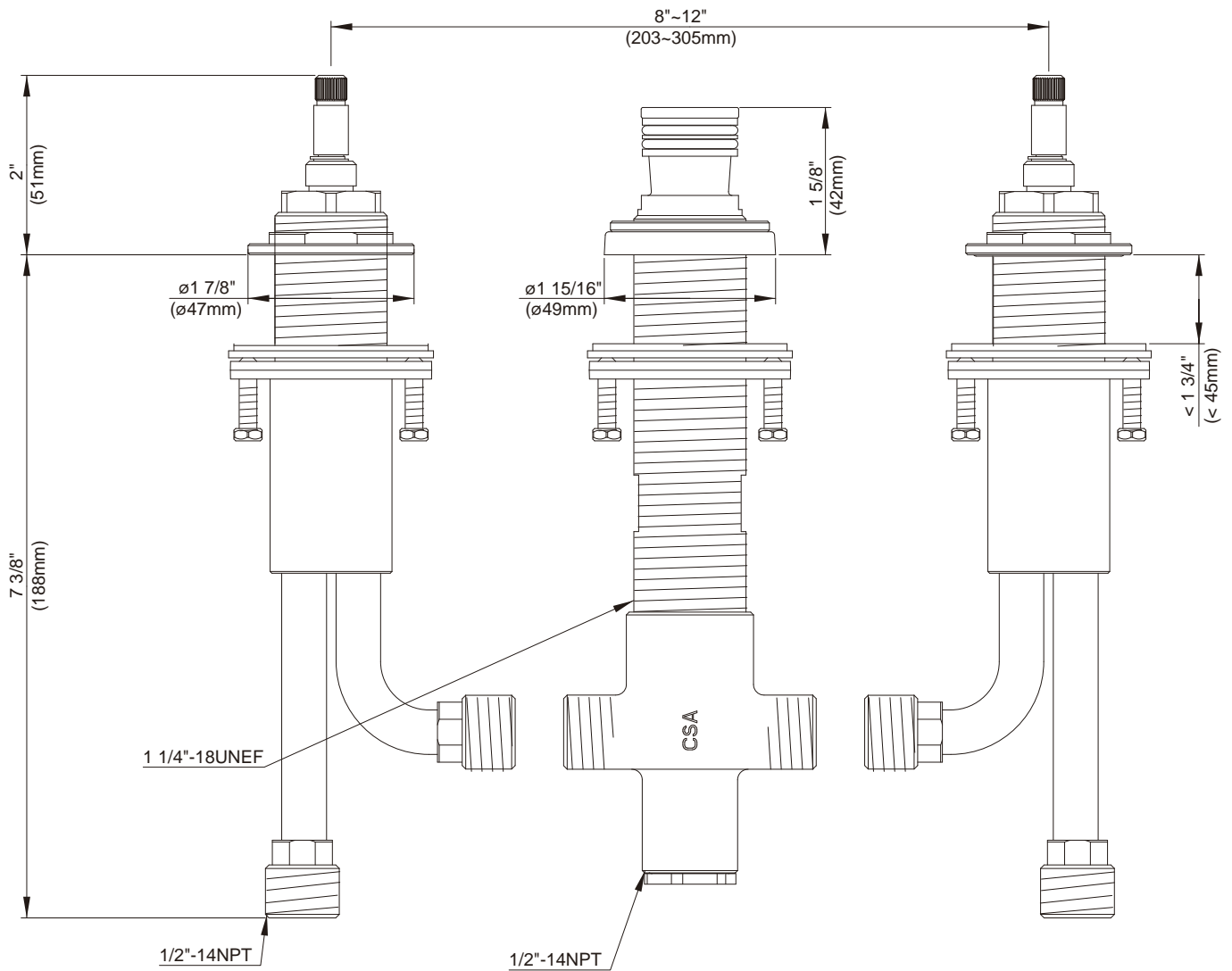
* Danze Soft Touch Personal Shower™ is designed to operate only when the button is pressed; water will flow to the spout whenever pressure is released from the button.

Specific Features: _____ Submitted Model No.: _____

SD301944/06-08.02

ROMAN TUB FAUCET ROUGH-IN VALVES-CRITICAL DIMENSIONS

Rough-in valve D215000BT (widespread)



* Installation method shown is for deck thickness of less than 1-3/4".
 If the installation is for deck thickness between 1-3/4" and 3-1/2",
 the sleeve nut needs to be reversed.

Specific Features: _____ Submitted Model No.: _____