

SPECIFICATIONS

BRANDYWOOD™ TWO HANDLE CENTERSET LAVATORY FAUCET

Model

D301268 (Replaces D314168 series)

Description

- Ceramic disc valve
- 5 ¾" high spout, 3 ¾" spout length
- Metal touch down drain assembly
- 2 hole mount
- Lever handles

Standards



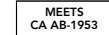
- UPC/cUPC
- NSF 61-9
- Energy policy act of 1992



- ASME A112.18.1



- CSA B125



- Meets CA AB-1953

Less than 0.25% lead content

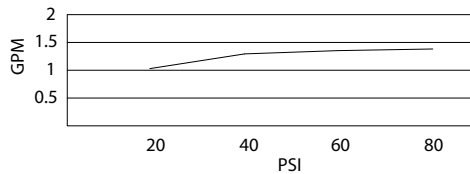


- ADA Accessibility Guidelines for Buildings and Facilities - 4.27.4 Controls and Mechanisms

Warranty

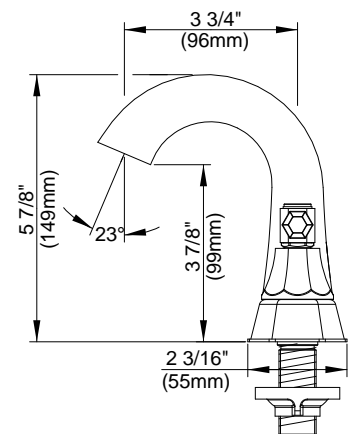
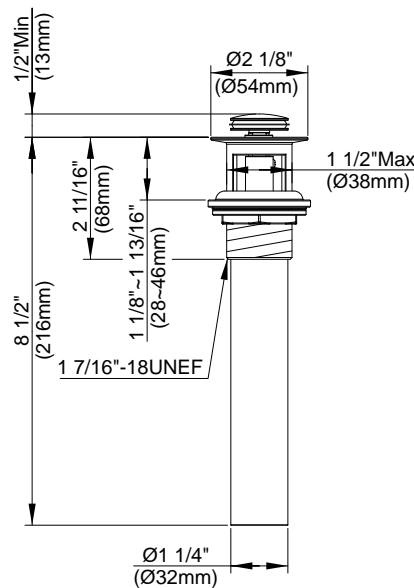
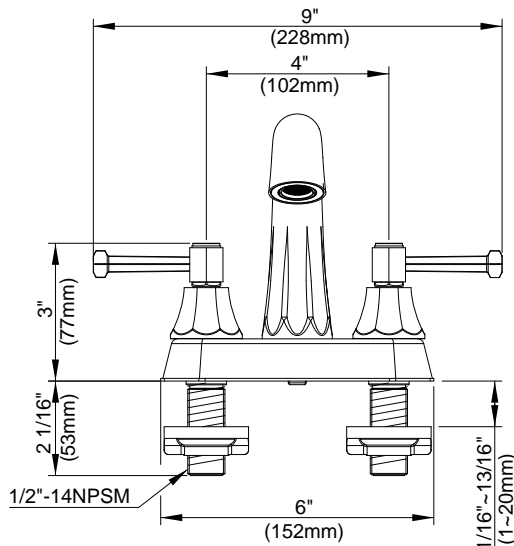
Danze products are covered by a manufacturer's limited "lifetime" warranty for manufacturing defects.

Flow Rate



Finishes Available

- Chrome
- Other: Refer to Price List for additional finish



Submittal Information:

Job Name: _____
 Contractor: _____

Location: _____
 Contact #: _____