

**SPECIFICATIONS**

**REEF™ SINGLE HANDLE LAVATORY FAUCET**

**Model**

D225533

**Description**

- Ceramic disc valve
- 5 1/4" high spout, laminar flow
- 50/50 touch-down drain assembly
- Single hole mount
- Flow rate: 1.5 gpm @ 60 psi

**Standards**



Certified to NSF/ANSI 61 Section 9

- NSF 61-9
- Energy Policy Act of 1992



NSF/ANSI 372

- ASME A112.18.1M/A112.18.1
- NSF/ANSI 372

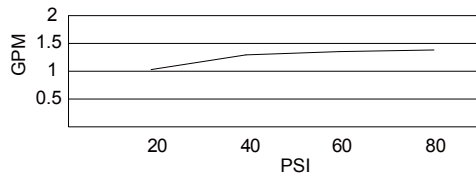


- ADA Accessibility Guidelines for Buildings and Facilities - 4.27.4 Controls and Mechanisms

**Warranty**

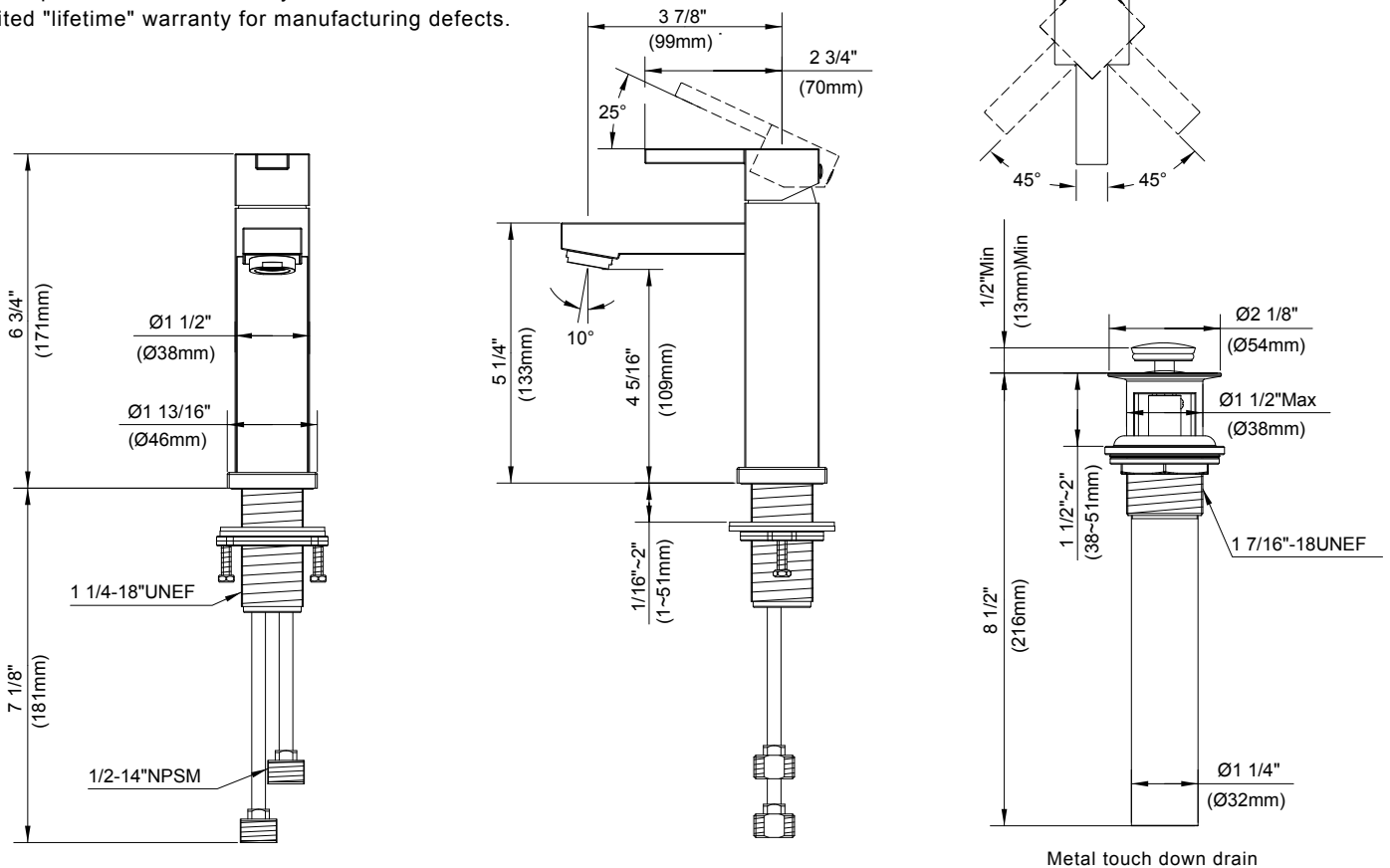
Danze products are covered by a manufacturer's limited "lifetime" warranty for manufacturing defects.

**Flow Rate**



**Finishes Available**

- Chrome
- Other: Refer to Price List for additional finish



Submittal Information:

Job Name: \_\_\_\_\_  
 Contractor: \_\_\_\_\_

Location: \_\_\_\_\_  
 Contact #: \_\_\_\_\_