

SPECIFICATIONS

SINGLE CONTROL PRESSURE BALANCE MIXING VALVE

Model

D115000BT

Description

- Ceramic disc valve
- With temperature limit adjustment
- Combination 1/2" copper sweat/IPS 4-port hook up
- Back-to-back installation feature
- Mounting bracket & plaster guard included
- Valve will perform at ASSE 1016 standards when flow rate is restricted to 2.0gpm

Standards



• UPC/cUPC

MEETS ASME
A112.18.1M/ A112.18.1

• ASME A112.18.1M/ A112.18.1



• CSA B125.1

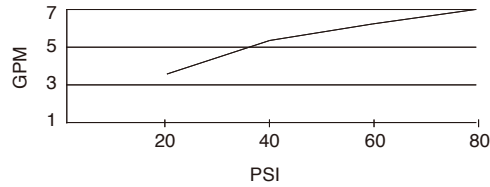
MEETS ASSE
1016

• ASSE 1016

Warranty

Danze products are covered by a manufacturer's limited "lifetime" warranty for manufacturing defects.

Flow Rate



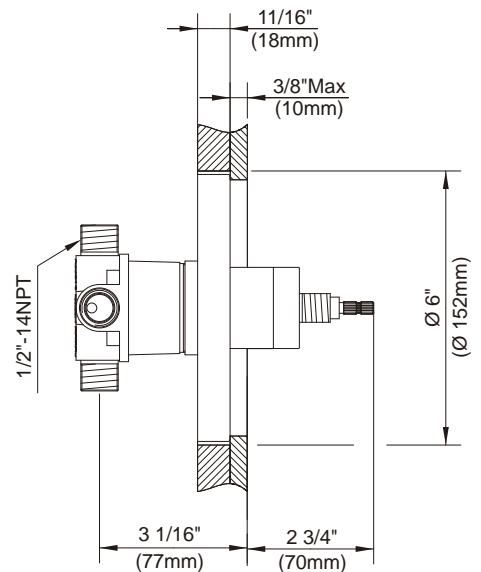
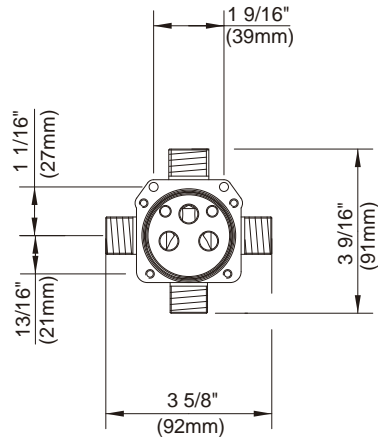
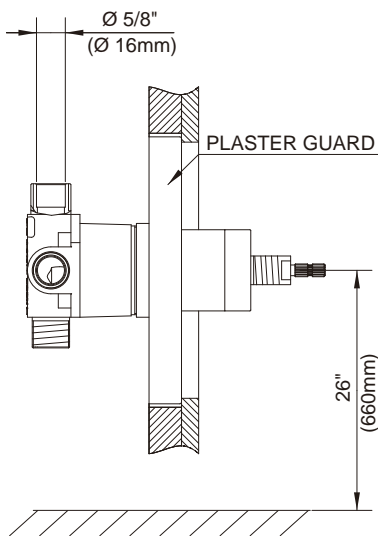
Special Packaging

- Trim kits for this valve are packaged separately. Fits all Danze single handle tub/shower & shower only trims
- Model numbers for trim kit items include the suffix "T"



Finishes Available

- Rough Brass



Submittal Information:

Job Name: _____

Location: _____

Contractor: _____

Contact #: _____