

CRYST RAMA



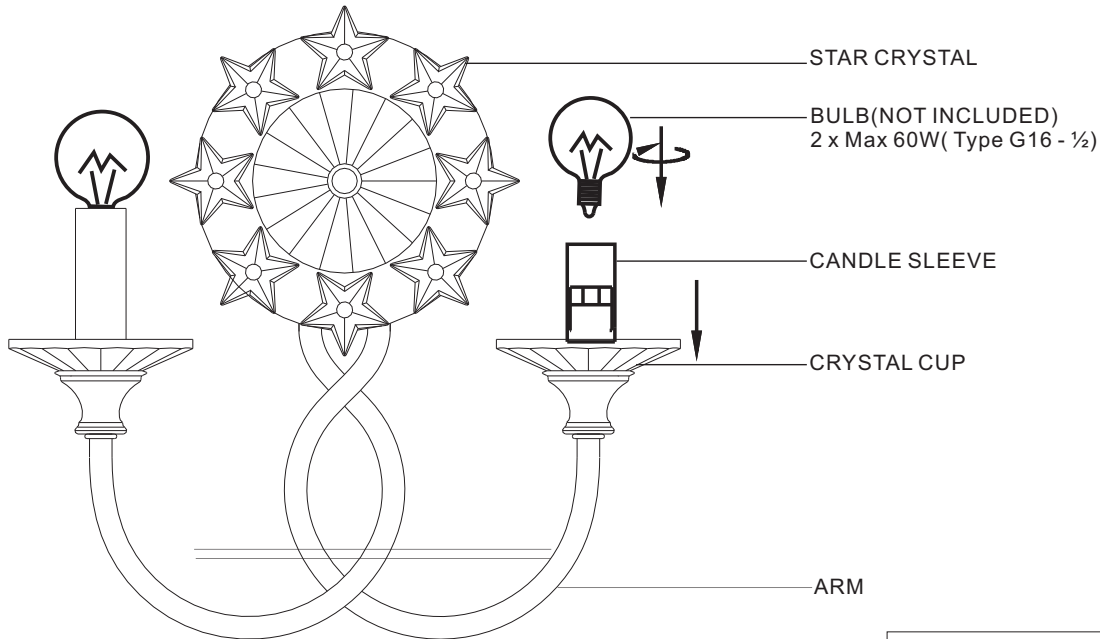
1958

95 Cantiague Rock Road, Westbury NY 11590
 ph:516.931.9090 fax:516.931.1254
 info@crystorama.com • www.crystorama.com

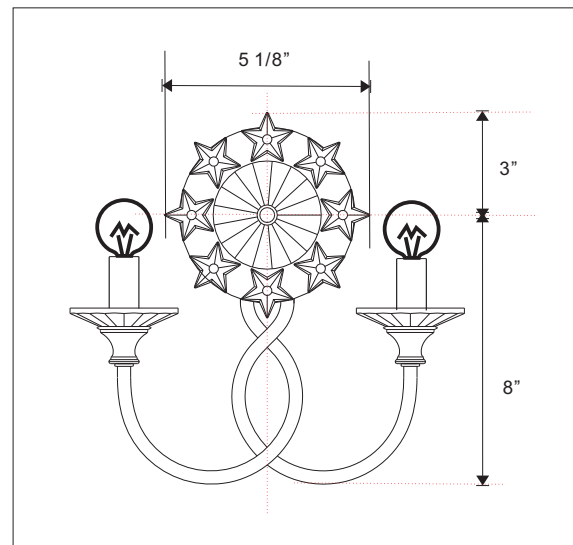
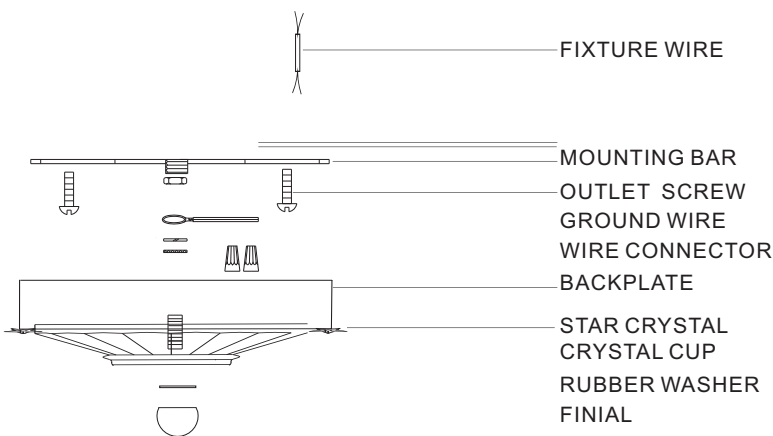
MODEL#: 442-SA ASSEMBLY AND DRESSING INSTRUCTIONS



All electrical components must be installed by a licensed electrician in accordance with the National Electric Code and the appropriate local electrical codes.



You will need 2- Cand, Bulb
 40 Watts Recommended
 60 Watts Max
 Bulb not included.



Note:
 please do not overtighten the finial, when secure the backplate in order to not break the crystal bobèche over them.