



RESIDENTIAL GEN 21 SERIES™ TOILET SEAT



MODEL #

COLOR #

8170CHSL/NISL

DESCRIPTION :

Closed front with cover, round, high density™ molded wood toilet seat. Features two large, no-slip luxury bumpers, Chrome or Brushed Nickel Whisper•Close® with Easy•Clean & Change™ hinges with STA-TITE® Residential Fastening System™. Seat contains DuraGuard®* an antimicrobial agent. This seat meets or exceeds Residential ANSI Standard Z-124.5.

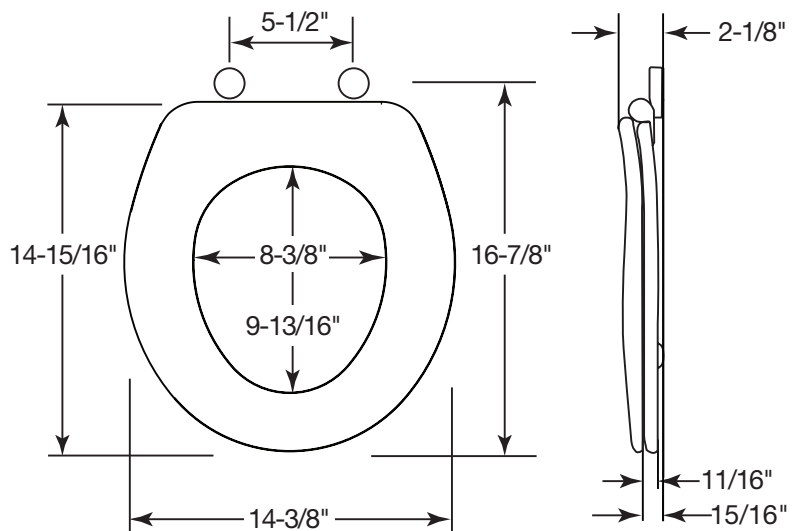
SPECIFICATIONS :

Size:	Round
Material:	High Density Molded Wood
Style:	Closed Front with Cover
Bumpers:	Two
Hinges:	Chrome or Brushed Nickel Whisper•Close® with Easy•Clean & Change™
Fastening System:	STA-TITE® Residential Fastening System™

FEATURES :

- Whisper•Close®
- Easy•Clean & Change™
- STA-TITE® Residential Fastening System™
- DuraGuard® Antimicrobial

DIMENSIONS :



METAL WHISPER•CLOSE® WITH EASY•CLEAN & CHANGE™ HINGES



WHISPER•CLOSE® FEATURE



TWIST HINGE TO UNLOCK



EASY REMOVAL OF SEAT FOR THOROUGH CLEANING



NO-SLIP LUXURY BUMPERS



STA-TITE® HARDWARE

Proudly Made in the USA

Church Seats., Sheboygan Falls, WI 53085
www.ChurchSeats.com

Phone: 920-467-2664 | 800-233-7328 Fax: 920-467-8573
©2010 0B7082215