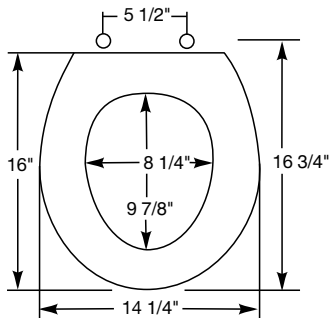




RESIDENTIAL PLASTIC SEATS

MODEL 70

- ROUND SEAT, CLOSED FRONT WITH COVER
- SOLID PLASTIC
- TOP-LOC® HINGES WITH NON-CORROSIVE BOLTS AND WING NUTS



Seats shall be No. 70 as manufactured by Church Seats. Seats shall be standard weight and injection molded of solid plastic. Seats shall be closed front with cover for round bowl and feature molded-in bumpers. Color-matched hinges with non-corrosive top-tightening bolts and wing nuts. Color to be _____ . (specify white or fixture manufacturer's color)

Ring thickness is 3/8"
Ring thickness including the bumper is 5/8"
Height of the seat with cover is 1-1/2"

