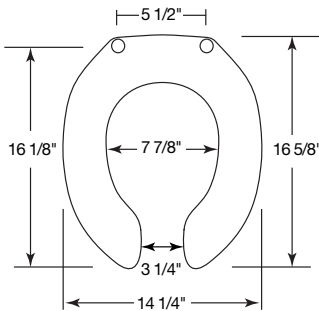




COMMERCIAL PLASTIC SEATS

MODEL 397C

- ROUND SEAT, OPEN FRONT LESS COVER
- SOLID PLASTIC
- POSTUREPEDIC CONTOUR DESIGN
- CONCEALED 300 SERIES STAINLESS STEEL CHECK HINGES



Ring thickness is 13/16"
Ring thickness including the bumper is 1"
Height of Seat is 2-1/4"

Seats shall be No. _____ as manufactured by Church Seats. Seats shall be heavy weight and injection-molded of solid plastic. Seats shall be open front less cover for round bowl and feature exclusive Posturepedic contour design and four large molded-in bumpers. Concealed check hinges to feature 300 Series stainless steel posts that stop seat 11 degrees beyond vertical. Uses 300 Series stainless steel hardware. Color to be _____. (specify white or fixture manufacturer's color) Hinges shall be _____. (specify hinge type)

397C Concealed check hinge stops seat 11° beyond vertical.

397SSC Self-sustaining, concealed stainless steel check hinge holds seat in any raised position up to 11° beyond vertical.

