



65675LF▲

Submitted Model No.: _____

Specific Features: _____

BRIZO®

LAVATORY FAUCETS

- Odin™ Bath Collection
- Single Hole Sink Applications
- SmartTouchPlus™ Technology
- TempIQ™ Temperature Sensing Technology

STANDARD SPECIFICATIONS:

- Lavatory faucet for concealed mounting on single hole applications.
- 4 3/4" (122 mm) long, 9 5/8" (244 mm) high rigid spout.
- Maximum flow rate 1.5 gpm @ 60 PSI with 2 flow options for cold water.
- Electronic Proportioning Valve for controlling water flow and temperature.
- Temperature indicator LED visually indicates the temperature of the water. Blue=cold, magenta=warm, red=hot.
- Optional insulator base required for metallic sinks.
- Must order Brizo drain separately and use the plastic tailpiece included.
- Supply line hoses (included), 19 1/2" long, connect to 3/8" O.D. compression stop fittings.

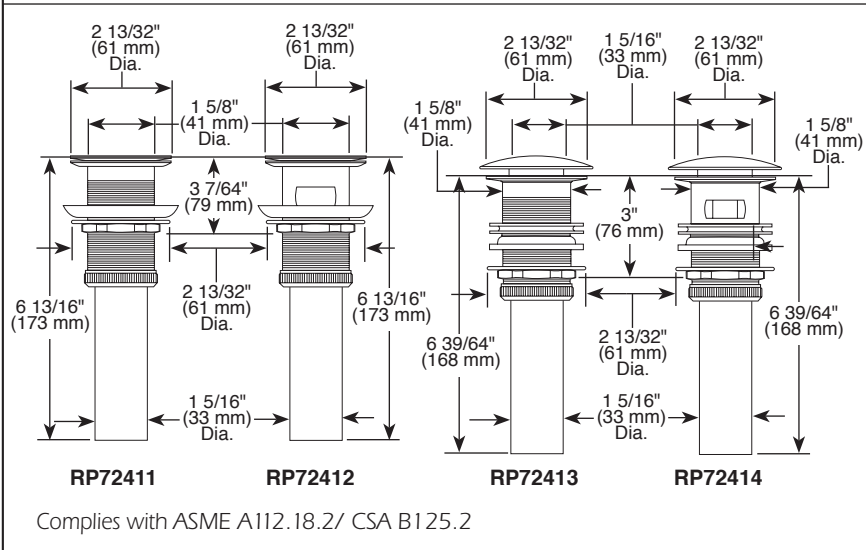
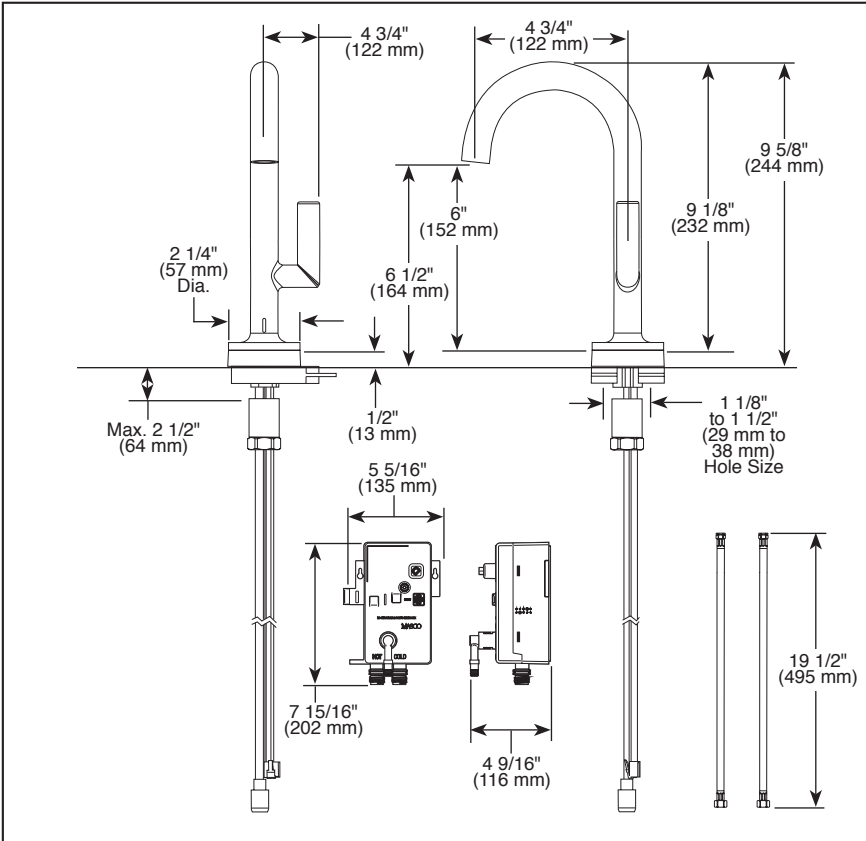
WARRANTY

- Lifetime limited warranty on parts (other than electronic parts and batteries) and finishes: or, for commercial users, for 5 years from date of purchase.
- 5 year limited warranty on electronic parts (other than batteries); or, for commercial users, for 1 year from the date of purchase. No warranty is provided on batteries.

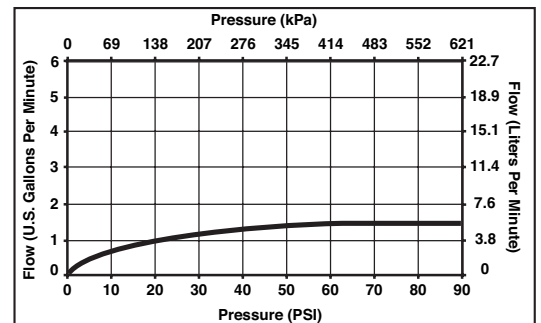


COMPLIES WITH:

- ASME A112.18.1 / CSA B125.1
- ASME A112.18.6
- Indicates compliance to ICC/ANSI A117.1
- EPA WaterSense®
- Verified compliant with .25% weighted average Pb content regulations.
- ASSE 1070 Temperature Limiting



▲ Designate Proper Finish Suffix



Delta reserves the right (1) to make changes in specifications and materials, and (2) to change or discontinue models, both without notice or obligation. Dimensions are for reference only. See current full-line price book or www.brizo.com for finish options and product availability.

BSP-L-65675LF Rev. E

Delta Faucet Company

55 E. 111th Street, Indianapolis, Indiana 46280
 350 South Edgeware Road, St. Thomas, ON N5P 4L1
 © 2014 Masco Corporation of Indiana