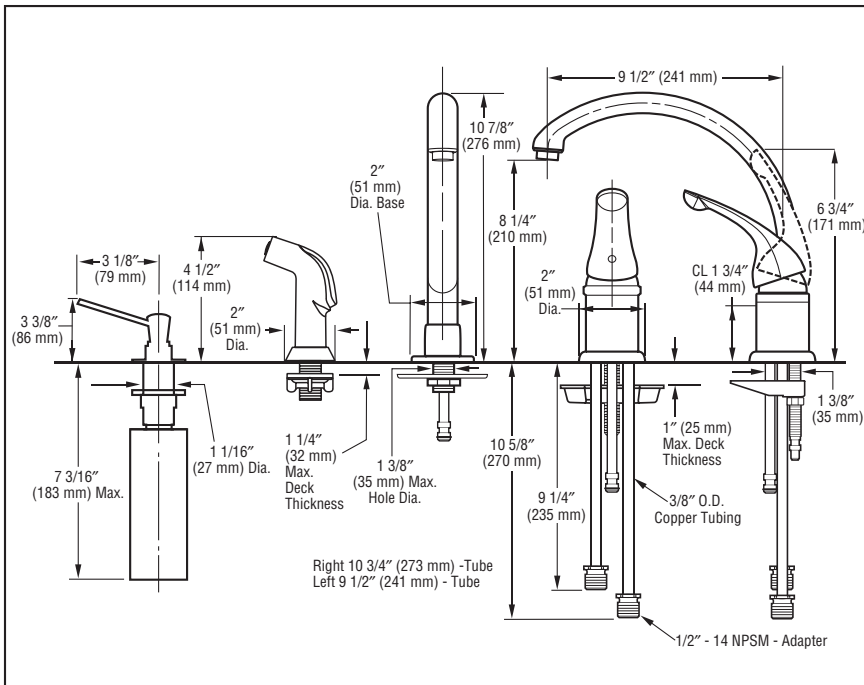


Submitted Model No.: _____

Specific Features: _____



KITCHEN FAUCETS

- Waterfall® Series
- Single Handle Widespread Deck Mount
- 3 and 4 Hole Sink Applications
- Quick Snap® Hose Installation

STANDARD SPECIFICATIONS:

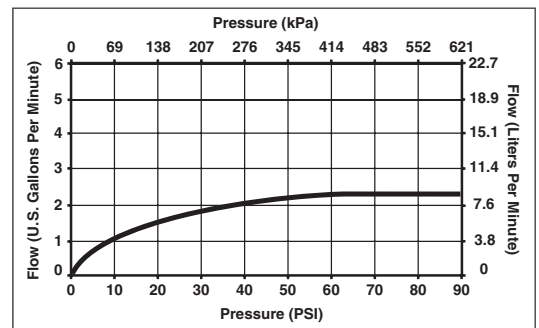
- Solid brass fabricated body.
- 9 1/2" (241 mm) long, 10 7/8" (276 mm) high spout swings 360°.
- Lever handle. Control mechanism shall be of the rotating stainless steel ball type with replaceable non-metallic seats operating in stainless steel lined sockets.
- Control handle shall return to neutral position when valve is turned off.
- Model 172 and 174 series with spray attachment has anti-siphon device as integral part of valve body.
- Quick Snap® hose installation.
- Vegetable sprayer with matching finish sprayhead - 45" (1143mm) long hose.
- 3/8" O.D. straight, staggered copper tube inlets - 9 1/2" (241mm) and 10 3/4" (273mm) long with 1/2"-14 NPSM adapters.
- Recommended hole sizes 1 3/8" (35 mm) on 4" (102 mm) centers.

WARRANTY

- Lifetime Faucet and Finish Limited Warranty to the original consumer purchaser to be free from defects in material and workmanship.
- 5 Year Limited Warranty for usage in all industrial, commercial and business applications.

COMPLIES WITH:

- ASME A112.18.1 / CSA B125.1
- Indicates ADA compliance to ICC/ANSI A117.1
- IAPMO Listed
- CSA Certified



Delta reserves the right (1) to make changes in specifications and materials, and (2) to change or discontinue models, both without notice or obligation. Dimensions are for reference only. See full-line price book for finish options and product availability.



Indianapolis, Indiana 46280
A Division of Masco Corporation of Indiana
© 2006 Masco Corporation of Indiana