

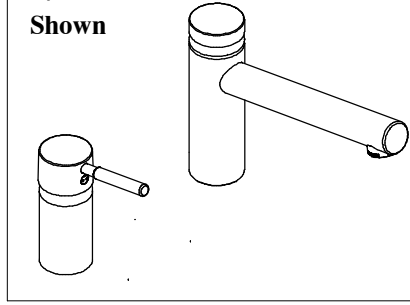
COMPLIES WITH:
 ANSI/ASME A112.18.1
 CSA B125
 IAPMO Listed
 CSA Certified
 ICC/ANSI A117.1/ADA



CSA B125
 ASME A112.18.1
 ICC/ANSI A117.1



Model
6714814
Shown



BATH VALVES

- Quiescence™ Single Handle Roman Tub Valve
- 2 Hole Applications
- Temperature and Volume Controlled With Single Handle
- 4 1/2" to 10" Centers
- Flexible Ledge Mount
- Wenge & Maple Wood Handle Accents

Submitted Model No.: _____

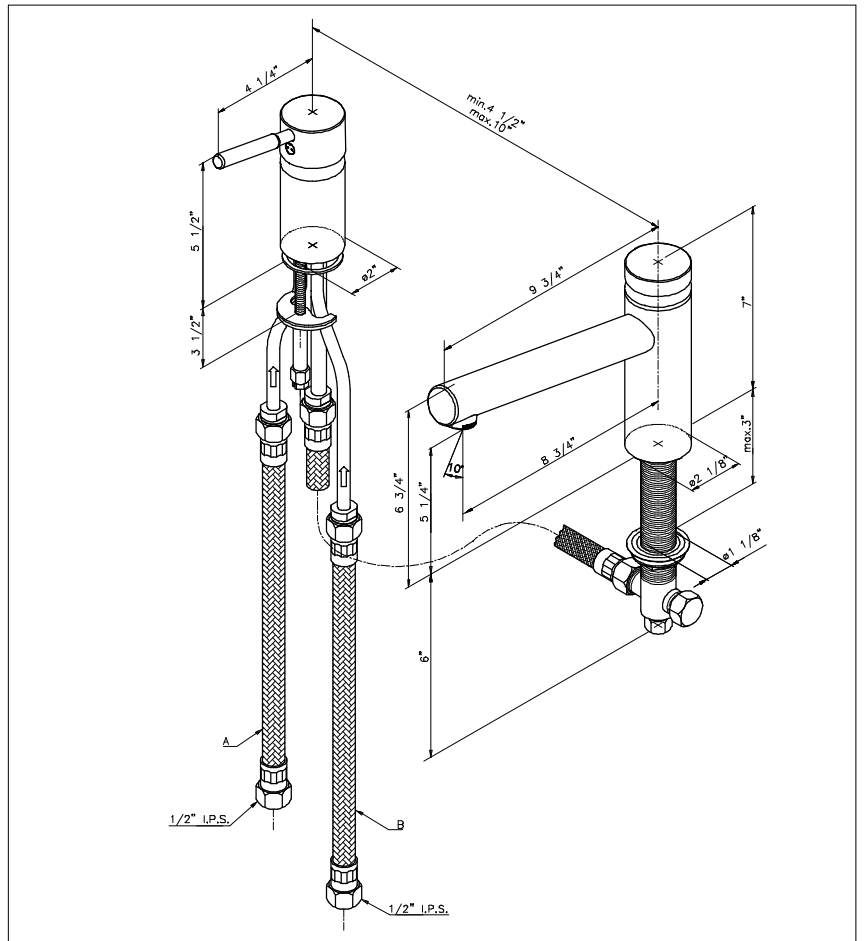
STANDARD SPECIFICATIONS

- Single handle Roman tub valve for concealed mounting on 2 hole applications.
- Control mechanism shall be of rotating ceramic cartridge type.
- Minimum 4 1/2" distance between holes.
- Recommended hole size: Valve unit: 1 1/2"
Spout: 1 1/8"
- All operating parts shall be replaceable from above the desk.
- Conventional installation kit adjusts to 3" maximum deck thickness.

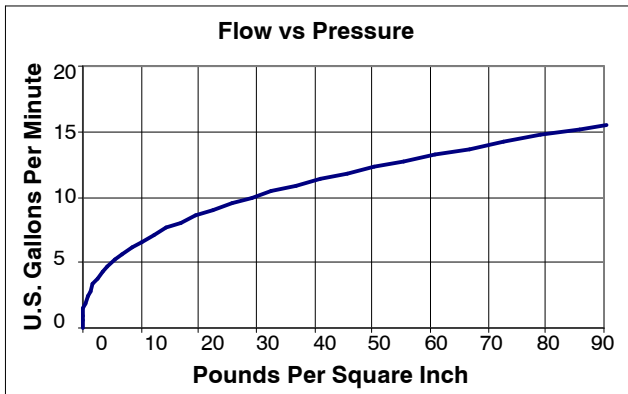
Specific Features: _____

AVAILABLE FINISHES

Suffix	Finish
BN	Brilliance® Brushed Nickel
PC	Polished Chrome



Standard Features	
Washerless ceramic valve cartridge	◆
Flexible connection hoses	◆
1/2" I.P.S. Adapters	◆
Wenge & Maple Wood handle accents	◆



Metric Conversion Chart	
Gals./Min	0.5 1.0 1.5 2.0 2.5 3.0 10.0 10.5 12.0 17.5 18.0 19.0 psi 60.0 80.0
Ltrs./Min	1.9 3.8 5.7 7.6 9.5 11.4 38.0 40.0 45.0 66.0 68.0 72.0 kPa 414 551