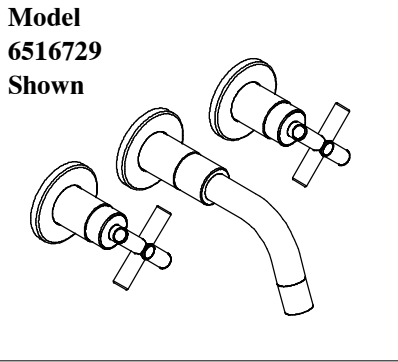


**COMPLIES WITH:**  
ANSI/ASME A112.18.1  
CSA B125.1  
ICC/ANSI A117.1/ADA



IAPMO Listed  
CSA Certified



## LAVATORY FAUCETS

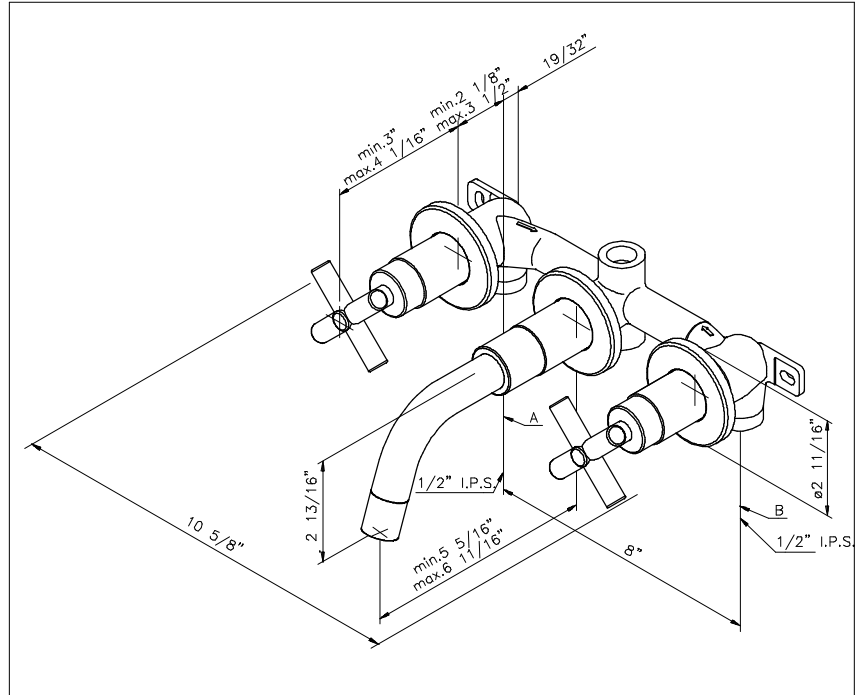
- Trevi™ Cross Two Handle Wall-Mounted Lavatory Valve
- 3 Hole Applications
- 8" Center
- Temperature and Volume Controlled With Handles.
- 5 5/16" to 6 11/16" Solid Metal Spout

Submitted Model No.: \_\_\_\_\_

Specific Features: \_\_\_\_\_

### STANDARD SPECIFICATIONS

- Two handle Lavatory faucet for concealed mounting in 3 hole wall applications.
- 5 5/16" to 6 11/16" Solid metal spout.
- Control mechanism shall be of rotating ceramic cylinder type with 90° (1/4 turn) rotation.
- 8" Center, 4" distance between holes.
- 1 1/2" Recommended hole size.
- Roughing in dimensions: 2 1/8" to 3 1/2".
- 1/2" I.P.S. Inlets.
- For push button drain option, order: RP6949570\* with overflow holes or RP6949572\* less overflow holes. \* indicates surface suffix.



### AVAILABLE FINISHES

Suffix	Finish
BN	Brilliance® Brushed Nickel
PC	Polished Chrome

US Gals./Min	0.5	1.0	1.5	2.0	2.5	3.0	10.0	10.5	12.0	17.5	18.0	19.0	psi	60.0	80.0
L/Min	1.9	3.8	5.7	7.6	9.5	11.4	38.0	40.0	45.0	66.0	68.0	72.0	kPa	414	551

Standard Features	
Washerless ceramic valving	◆
5 5/16" to 6 11/16" metal spout	◆
1/2" I.P.S. connections	◆

