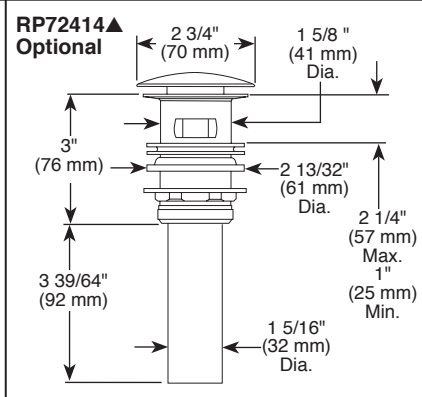
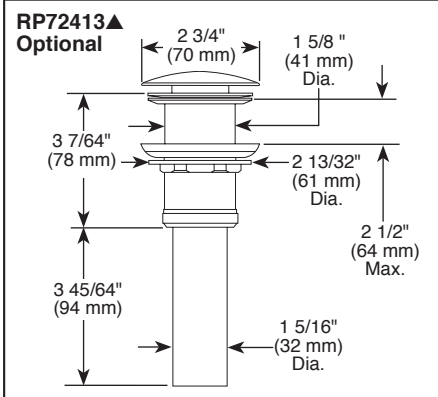
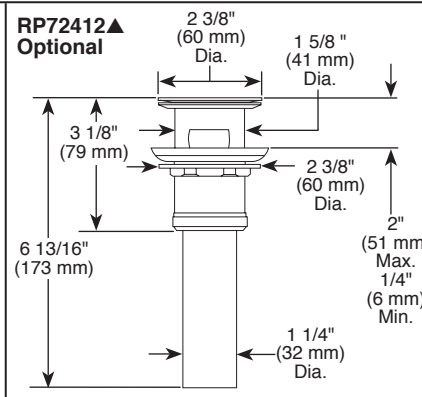
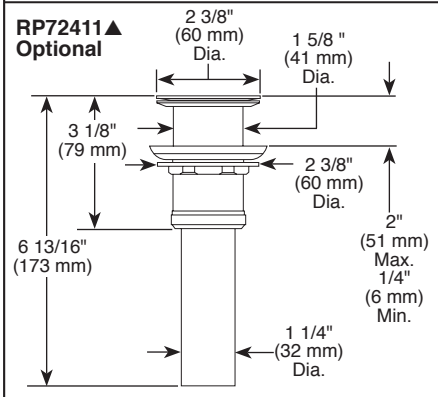
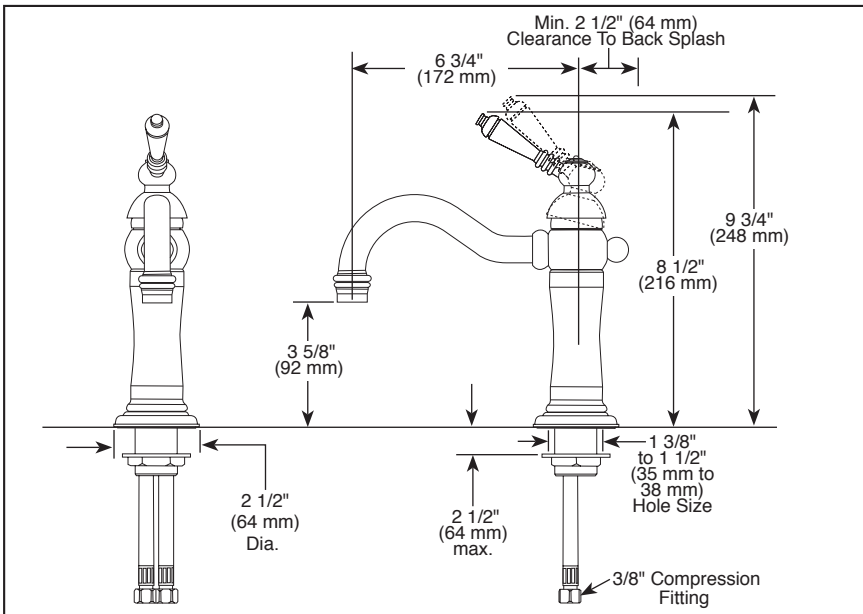


Submitted Model No.: _____

Specific Features: _____



▲ Designate Proper Finish Suffix

Delta reserves the right (1) to make changes in specifications and materials, and (2) to change or discontinue models, both without notice or obligation. Dimensions are for reference only. See current full-line price book or www.brizo.com for finish options and product availability.

BSP-L-65036 Rev. D

BRIZO®

LAVATORY FAUCETS

- Tresa® Bath Collection
- Single Handle Deck Mount
- Single Hole Mount

STANDARD SPECIFICATIONS:

- Single handle lavatory deck faucet.
- Solid brass fabricated body.
- 6 3/4" (172 mm) long spout.
- 1 3/8" minimum - 1 1/2" maximum hole size.
- 30" inlet supply tubing with standard 3/8" compression fitting.
- Must order drain separately.
- Optional push button drain assembly (RP72414 or RP72413) available.
- Optional grid strainer w/overflow (RP72412) or w/o overflow (RP72411).
- Accomodates up to 2 1/2" deck thickness.
- Maximum flow rate 1.5 gpm @ 60 PSI.
- Control mechanism - 28 mm ceramic disc cartridge with metal stem.

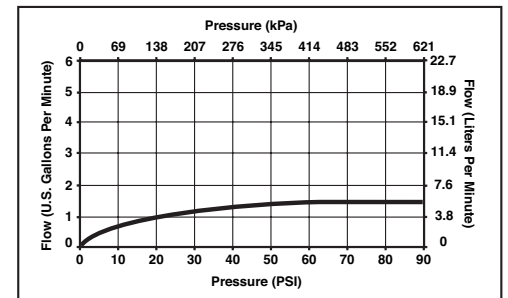
WARRANTY

- Lifetime limited warranty on parts (other than electronic parts and batteries) and finishes: or, for commercial users, for 5 years from date of purchase.
- 5 year limited warranty on electronic parts (other than batteries); or, for commercial users, for 1 year from the date of purchase. No warranty is provided on batteries.



COMPLIES WITH:

- ASME A112.18.1 / CSA B125.1
- ASME A112.18.2 / CSA B125.2
- Indicates compliance to ICC/ANSI A117.1
- EPA WaterSense®
- "LF" models verified compliant with .25% weighted average Pb content regulations.



Delta Faucet Company
 55 E. 111th Street, Indianapolis, Indiana 46280
 350 South Edgeware Road, St. Thomas, ON N5P 4L1
 © 2013 Masco Corporation of Indiana