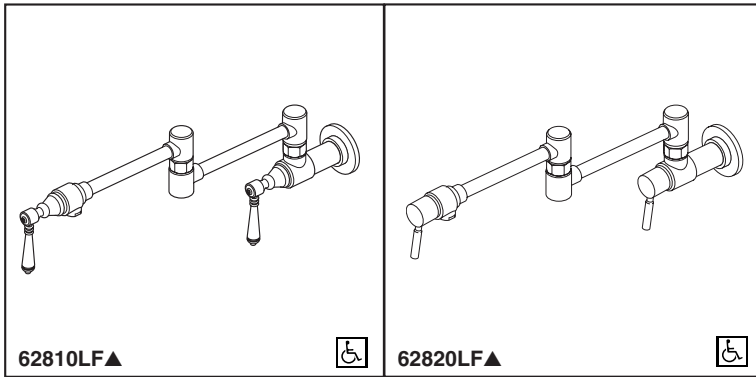


BRIZO®

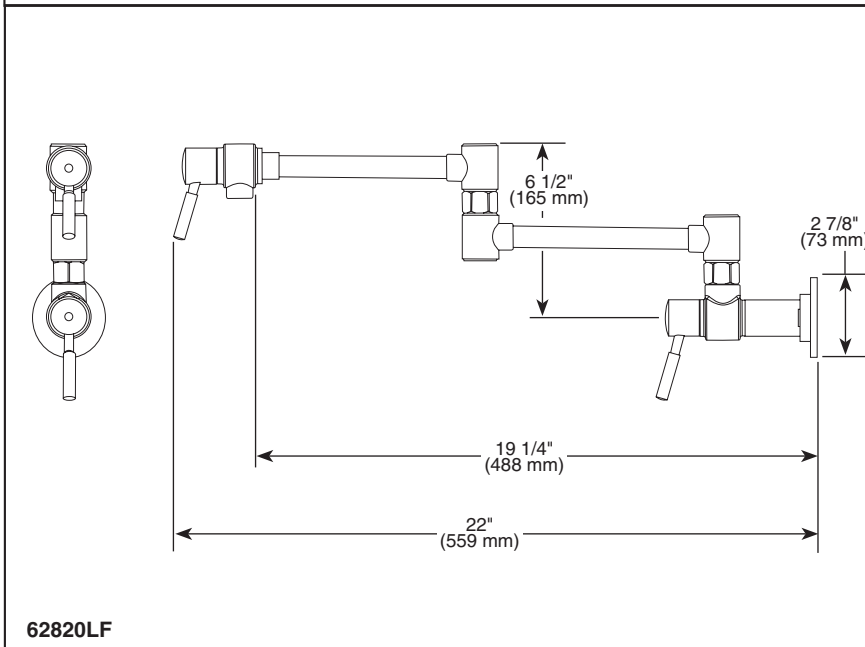
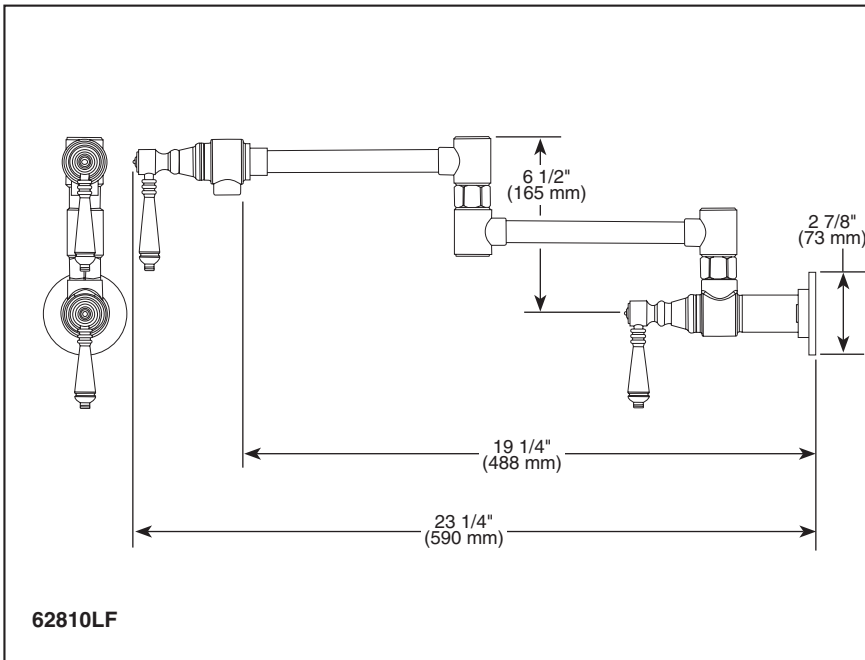
WALL MOUNT POT FILLER

- Wall Mounted Pot Filler
- Single Hole Application
- Cold Water Only
- Volume Controlled With Handles



Submitted Model No.: _____

Specific Features: _____



▲ Designate proper finish suffix

Delta reserves the right (1) to make changes in specifications and materials, and (2) to change or discontinue models, both without notice or obligation. Dimensions are for reference only. See current full-line price book or www.brizo.com for finish options and product availability.

BSP-K-62810LF Rev. B

STANDARD SPECIFICATIONS:


- Two handle faucet for wall mount single hole wall applications.
- 20" dual jointed swing spout.
- Control mechanism shall be of the rotating ceramic cylinder type with 90° (1/4 turn) rotation.
- 1" recommended hole size.
- Rough into 1/2" stub out.
- 1/2" I.P.S. inlets.
- Cold water connection only.
- Washerless ceramic valving.

WARRANTY

- Lifetime Faucet and Finish Limited Warranty to the original consumer purchaser to be free from defects in material and workmanship.
- 5 Year Limited Warranty for usage in all industrial, commercial and business applications.



COMPLIES WITH:

- ASME A112.18.1 / CSA B125.1
-  Indicates compliance to ICC/ANSI A117.1
- Verified compliant with .25% weighted average Pb content regulations.

Delta Faucet Company
 Indianapolis, Indiana 46280
 A Division of Masco Corporation of Indiana
 © 2009 Masco Corporation of Indiana