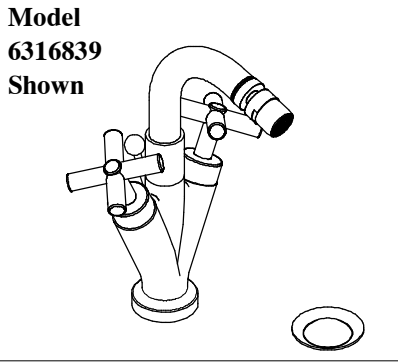


COMPLIES WITH:
ANSI/ASME A112.18.1
CSA B125.1
ICC/ANSI A117.1/ADA



IAPMO Listed
CSA Certified



BIDET FAUCETS

- Trevi™ Cross Two Handle
- 1 Hole Applications

Submitted Model No.: _____

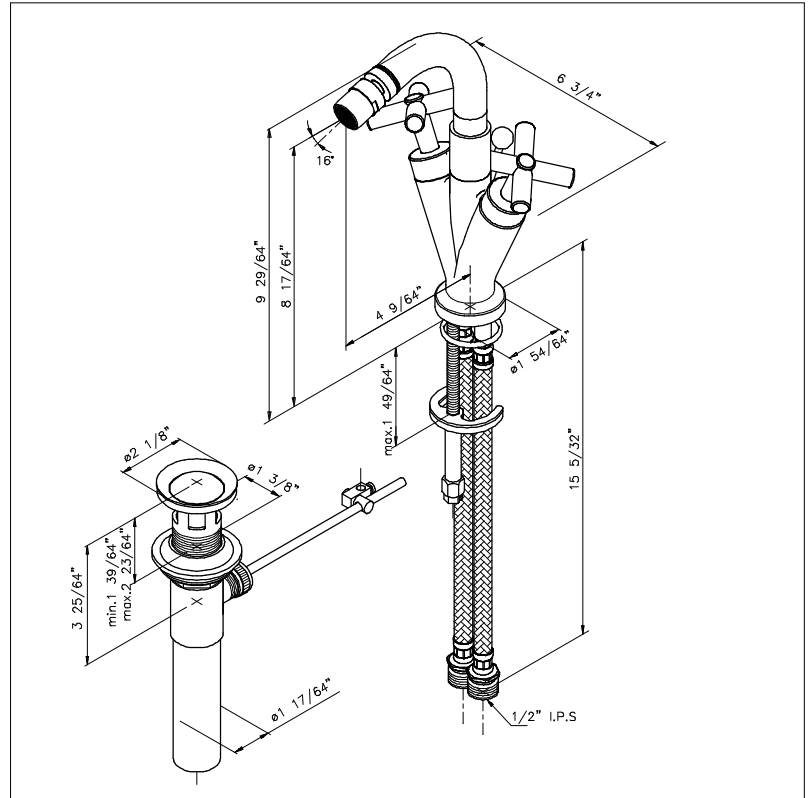
Specific Features: _____

STANDARD SPECIFICATIONS

- Two handle bidet faucet for concealed mounting on 1 hole applications.
- Control mechanism shall be of the rotating ceramic cylinder type with 90° (1/4 turn) rotation.
- RP6948391 optional escutcheon available for 4" 3-hole applications
- Recommend 1 1/4" hole size.

AVAILABLE FINISHES

Suffix	Finish
BN	Brilliance® Brushed Nickel
PC	Polished Chrome



Standard Features	
Washerless ceramic valving	◆
Flexible connection hoses	◆
Metal Pop-up Drain	◆
1/2" I.P.S. Adapters	◆