

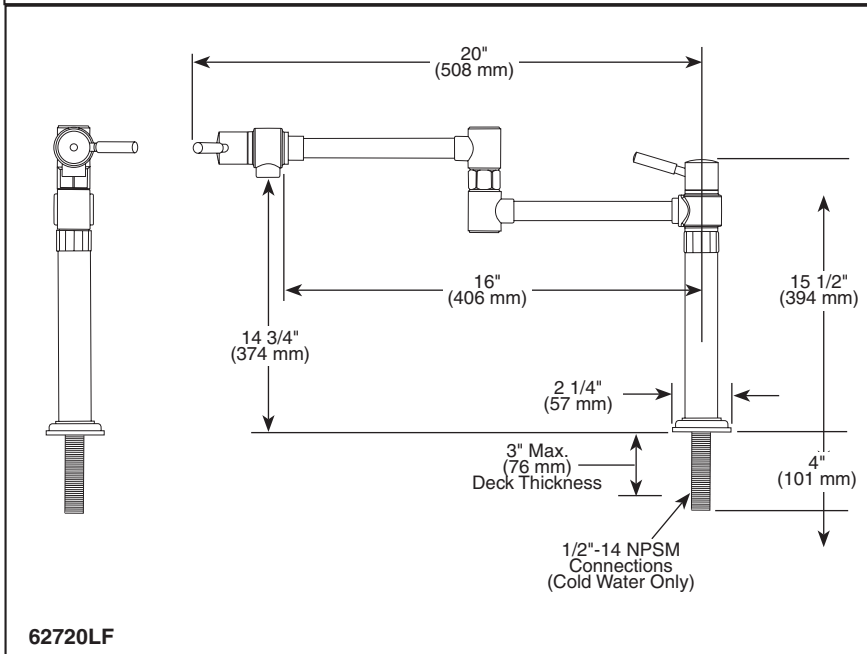
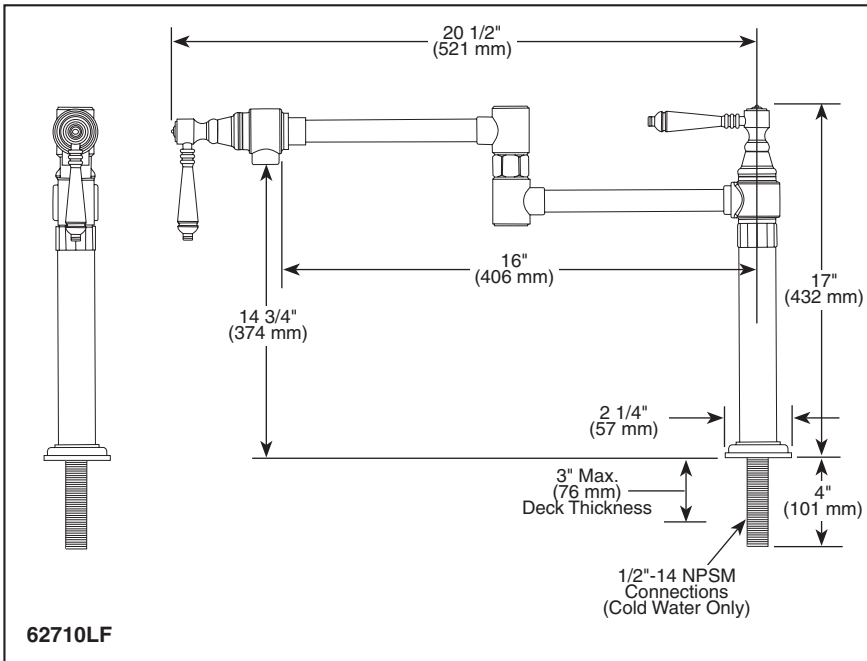
BRIZO®

DECK MOUNT POT FILLER

- Two Handle Deck Mount
- Single Hole Applications

Submitted Model No.: _____

Specific Features: _____



STANDARD SPECIFICATIONS:

- Solid brass fabricated body.
- 1" recommended hole size.
- 1/2" I.P.S. inlet connections.
- Cold water connection only.
- 16" dual jointed swivel spout.
- Single hole installation with 3" (76 mm) maximum deck thickness.

WARRANTY

- Lifetime Faucet and Finish Limited Warranty to the original consumer purchaser to be free from defects in material and workmanship.
- 5 Year Limited Warranty for usage in all industrial, commercial and business applications.



COMPLIES WITH:

- ASME A112.18.1 / CSA B125.1
- Indicates compliance to ICC/ANSI A117.1
- Verified compliant with .25% weighted average Pb content regulations.

▲ Designate proper finish suffix

Delta reserves the right (1) to make changes in specifications and materials, and (2) to change or discontinue models, both without notice or obligation. Dimensions are for reference only. See current full-line price book or www.brizo.com for finish options and product availability.

BSP-K-62710LF Rev. B

Delta Faucet Company

Indianapolis, Indiana 46280
 A Division of Masco Corporation of Indiana
 © 2009 Masco Corporation of Indiana