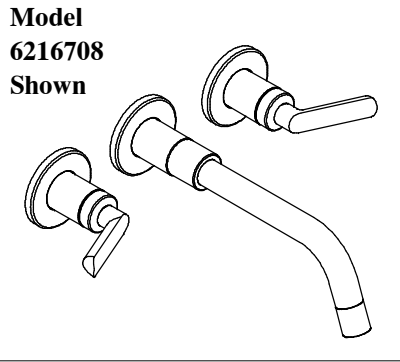


**COMPLIES WITH:**  
 ANSI/ASME A112.18.1  
 CSA B125  
 IAPMO Listed  
 CSA Certified  
 ICC/ANSI A117.1/ADA



CSA B125  
 ASME A112.18.1  
 ICC/ANSI A117.1



## KITCHEN FAUCETS

- Trevi™ Two Handle Wall-Mounted Kitchen Valve
- 3 Hole Applications
- 8" Center
- Temperature and Volume Controlled With Handles.
- 8 1/4" to 9 5/8" Solid Metal Spout

Submitted Model No.: \_\_\_\_\_

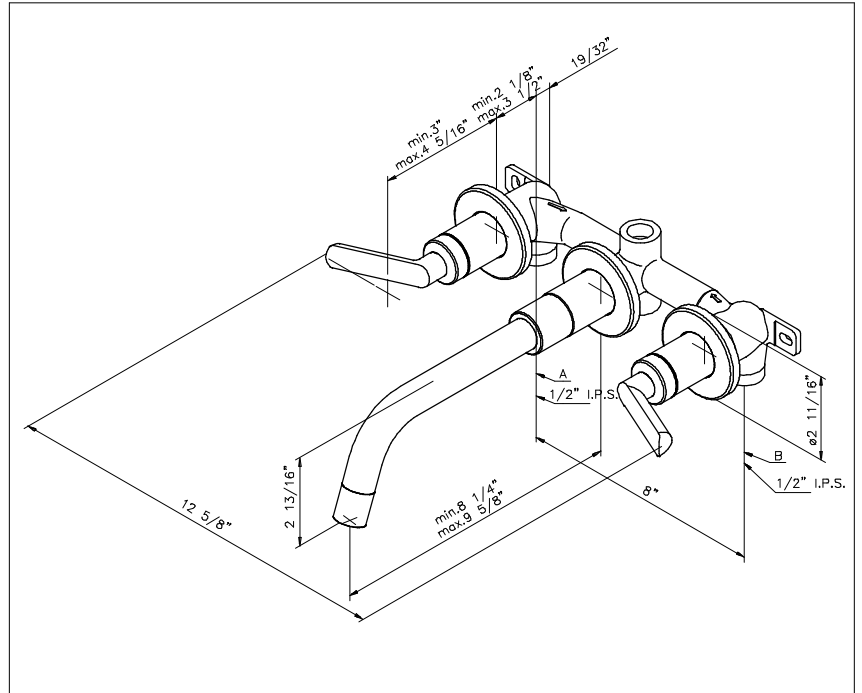
Specific Features: \_\_\_\_\_

### STANDARD SPECIFICATIONS

- Two handle Kitchen faucet for concealed mounting in 3 hole wall applications.
- 8 1/4" to 9 5/8" Solid metal spout.
- Control mechanism shall be of rotating ceramic cylinder type with 90° (1/4 turn) rotation.
- 8" Center, 4" distance between holes.
- 1 1/2" Recommended hole size.
- Roughing in dimensions: 2 1/8" to 3 1/2".
- 1/2" I.P.S. Inlets.

### AVAILABLE FINISHES

Suffix	Finish
BN	Brilliance® Brushed Nickel
PC	Polished Chrome



Standard Features	
Washerless ceramic valving	◆
8 1/4" to 9 5/8" metal spout	◆
1/2" I.P.S. connections	◆

Metric Conversion Chart	
Gals./Min	0.5 1.0 1.5 2.0 2.5 3.0 10.0 10.5 12.0 17.5 18.0 19.0 psi 60.0 80.0
Ltrs./Min	1.9 3.8 5.7 7.6 9.5 11.4 38.0 40.0 45.0 66.0 68.0 72.0 kPa 414 551

