

FEATURED MODEL

446006 Anthracite

446007 Cafe Brown

ACCESSORIES

406223 Stainless Steel Grid

FEATURES

- Clean design provides maximum bowl capacity featuring rear bowl drains
- 80% rock hard granite
- Color all the way through
- Highly resistant to scratching, staining and all household acids and alkali solutions
- Non-porous, easy-to-clean
- Heat resistant to 536° F
- Extremely hygienic, does not absorb odors or bacteria



NOMINAL DIMENSIONS

OVERALL	CUTOUT SIZE	BOWL DEPTH	DRAIN DIAMETER
30-3/4" X 17-1/2"	See Template	8-1/4"	3-1/2"

DXF cutout templates available on our web site.

CODE/STANDARDS COMPLIANCE

ANSI Z124.6-97

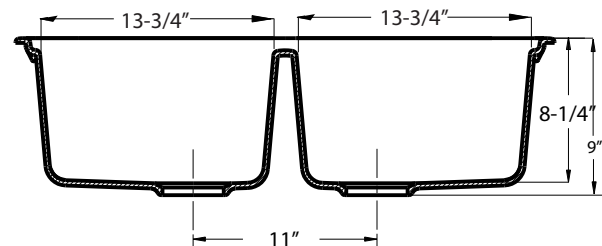
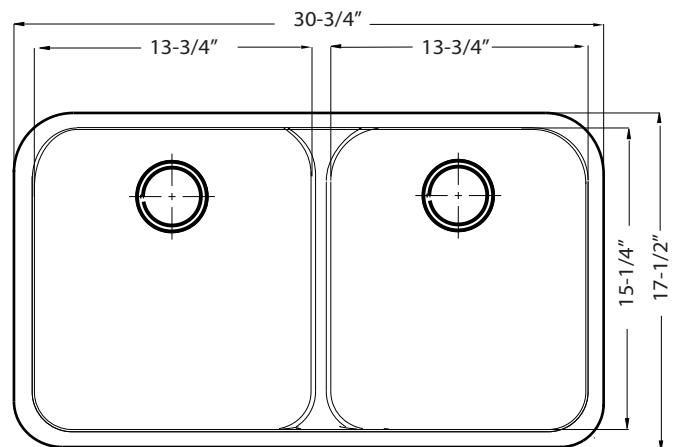
IAPMO/UPC listed

WARRANTY

LIMITED LIFETIME WARRANTY to be free of all manufacturing defects under normal use. See our complete warranty for details.

PRODUCT SPECIFICATION

Undermount sink to be double bowl design 30-3/4" in length and 17-1/2" in front-to-back depth. Sink to be made from Silgranit® hard composite material. Sink to feature rear drain placement and straight bowl sides.



JOB INFORMATION

Job Name: _____

Contact: _____

Date Specified: _____

Specifier: _____

Contractor: _____