

FEATURED MODEL

441122 REVERSE 10" and 6-3/4" bowl depths

ADDITIONAL MODELS

441123 10" and 6-3/4" bowl depths

FEATURES

- German specification 18 gauge, 304 series stainless steel
- Premium 18/10 chrome/nickel content
- Hand Polished Satin finish offer luxurious look
- Versatile design with Inset (Similar to Drop-in) or Flushmount installation capabilities
- Polished "MicroEdge" rim with our unique clip system locks the rim into any countertop material.
- Rear drain placement provides MAXIMUM flat space
- New design allows for easy installation in standard 25" countertop

CODE/STANDARDS COMPLIANCE

ASME 112.19.3-00

IAPMO/UPC listed

OPTIONAL ACCESSORIES

Sink Grids: 220994 Large, 220995 Small
 Mesh Colander: 221026
 Steel Colander: 440492

WARRANTY

Blanco America's BLANCO WAVE MICROEDGE sinks feature a LIMITED LIFETIME WARRANTY to be free of all manufacturing defects under normal use. See our complete warranty for details.

While Blanco America endeavors to provide accurate information, all dimensions are nominal, cannot be guaranteed, and are subject to change or cancellation. Blanco America assumes no responsibility for use of superseded or voided specifications.

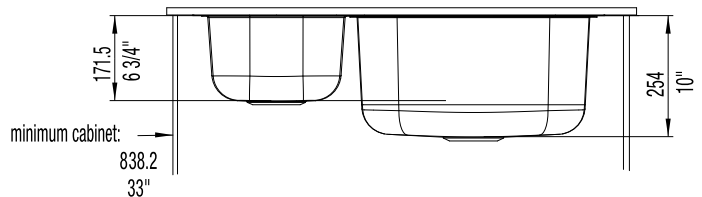
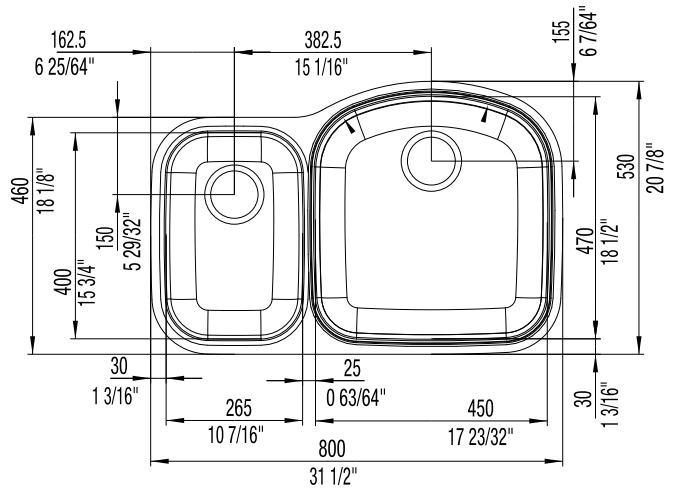


MODEL 441122

NOMINAL DIMENSIONS

MODEL	OVERALL	DEPTH RIGHT	DEPTH LEFT	DRAIN DIAMETER
441122	31-1/2 x 20-7/8	10"	6-3/4"	3-1/2"

DXF cutout templates available on our web site or this specification CD.



JOB INFORMATION

Job Name: _____

Contact: _____

Date Specified: _____

Specifier: _____

Contractor: _____

BLANCO

800.451.5782

www.blancoamerica.com