

FEATURED MODEL

441003 Medium Reverse, 9" & 10" bowl depths

ADDITIONAL MODELS

441002 Medium, 10" & 9" bowl depths

440113 Large, 10" & 9" bowl depths

440112 Large Reverse, 9" & 10" bowl depths

FEATURES

- 18 gauge, 304 series stainless steel
- 18/10 chrome/nickel content
- Long-lasting, easy-to-clean, satin polished finish
- Sound deadening insulation
- Rear drain placement

CODE/STANDARDS COMPLIANCE

ASME 112.19.3-00

IAPMO/UPC listed

OPTIONAL ACCESSORIES

Sink Grids: 220578, 220579

Cutting Board: 440155

Colander: 514015, 222401

WARRANTY

Blanco America's BLANCO PERFORMA sinks feature a LIMITED LIFETIME WARRANTY to be free of all manufacturing defects under normal use. See our complete warranty for details.

While Blanco America endeavors to provide accurate information, all dimensions are nominal, cannot be guaranteed, and are subject to change or cancellation. Blanco America assumes no responsibility for use of superseded or voided specifications.

PRODUCT SPECIFICATION

Undermount medium sink to be 1-3/4 bowl design, 33-1/8" in length and 20" in front-to-back depth. Sink to be made from 18 gauge, 304 series stainless steel, with 18/10 chrome/nickel content and long-lasting, easy-to-clean satin polished finish. Sink to feature rear drain placement. Sink to be Blanco Model 441003, with left bowl depth of 9" and right bowl depth of 10".

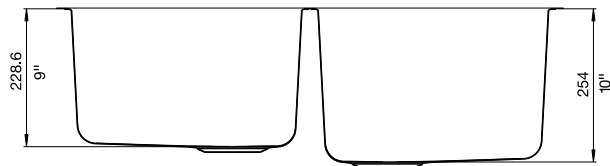
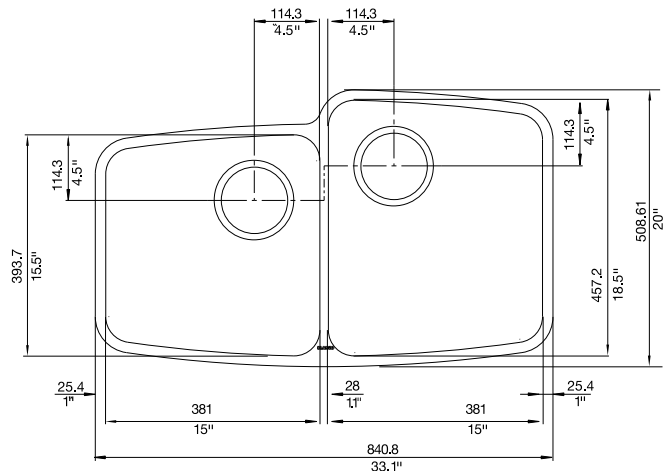


MODEL 441003

NOMINAL DIMENSIONS

MODEL	OVERALL	CUTOUT SIZE	BOWL LEFT	DEPTH RIGHT	DRAIN DIAMETER
441003	33-1/8 x 20	Template provided with approximate 1/8" reveal	9	10	3-1/2

DXF cutout templates available on our web site.



JOB INFORMATION

Job Name: _____

Contact: _____

Date Specified: _____

Specifier: _____

Contractor: _____