

## FEATURED MODEL

440169 8" and 6-3/4" bowl depths

## ADDITIONAL MODELS

- 440167 10" and 6-3/4" bowl depths
- 440166 REVERSE 10" and 6-3/4" bowl depths
- 440168 REVERSE 8" and 6-3/4" bowl depths

## FEATURES

- German specification 18 gauge, 304 series stainless steel
- Premium 18/10 chrome/nickel content
- Hand Polished Satin finish offer luxurious look
- Rear drain placement provides MAXIMUM flat space
- New design allows for easy installation in standard 25" countertop

## CODE/STANDARDS COMPLIANCE

ASME 112.19.3-00  
 IAPMO/UPC listed

## OPTIONAL ACCESSORIES

- Sink Grids: 220994 Large, 220995 Small
- Mesh Colander: 221026
- Steel Colander: 440492

## WARRANTY

Blanco America's BLANCO WAVE series sinks feature a LIMITED LIFETIME WARRANTY to be free of all manufacturing defects under normal use. See our complete warranty for details.

While Blanco America endeavors to provide accurate information, all dimensions are nominal, cannot be guaranteed, and are subject to change or cancellation. Blanco America assumes no responsibility for use of superseded or voided specifications.

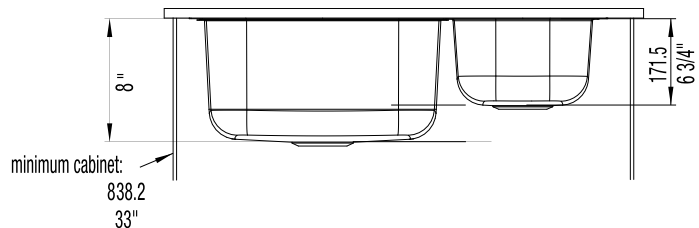
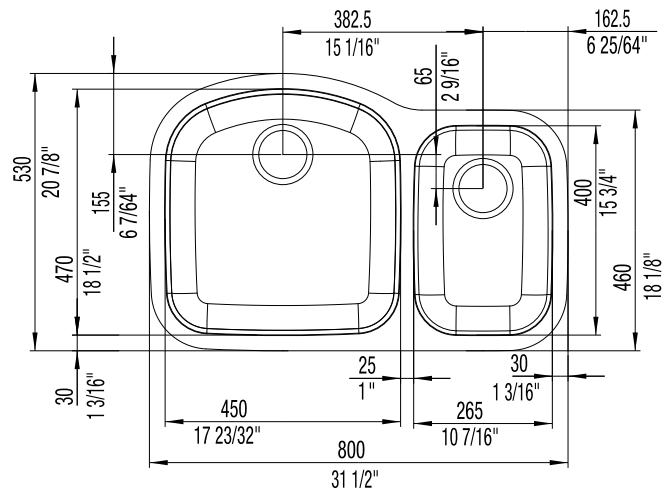


MODEL 440169

## NOMINAL DIMENSIONS

MODEL	OVERALL	CUTOUT SIZE	BOWL DEPTH LEFT	BOWL DEPTH RIGHT	DRAIN DIAMETER
440169	31-1/2 x 20-7/8	Template provided with approximate 1/8" reveal	8	6-3/4	3-1/2

DXF cutout templates available on our web site or this specification CD.



## JOB INFORMATION

Job Name: \_\_\_\_\_

Contact: \_\_\_\_\_

Date Specified: \_\_\_\_\_

Specifier: \_\_\_\_\_

Contractor: \_\_\_\_\_