

### FEATURED MODEL

441118 BLANCO Performa Medium 1-3/4 MicroEdge™

### ADDITIONAL MODEL

441119 BLANCO Performa Medium Reverse  
1-3/4 MicroEdge™

### FEATURES

- German specification 18 gauge, 304 series stainless steel
- Premium 18/10 chrome/nickel content
- Hand Polished Satin finish offer luxurious look
- Versatile design with Inset (Similar to Drop-in) or Flushmount installation capabilities
- Polished "MicroEdge" rim with our unique clip system locks the rim into any countertop material.
- Rear drain placement provides MAXIMUM flat space
- New design allows for easy installation in standard 25" countertop

### CODE/STANDARDS COMPLIANCE

ASME 112.19.3-00

IAPMO/UPC listed

### OPTIONAL ACCESSORIES

Sink Grids: 220577 Large, 220580 Small  
 Mesh Colander: 222401  
 Steel Colander: 514015  
 Cutting Board: 440155

### WARRANTY

Blanco America's BLANCO PERFORMA MICROEDGE sinks feature a LIMITED LIFETIME WARRANTY to be free of all manufacturing defects under normal use. See our complete warranty for details.

While Blanco America endeavors to provide accurate information, all dimensions are nominal, cannot be guaranteed, and are subject to change or cancellation. Blanco America assumes no responsibility for use of superseded or voided specifications.

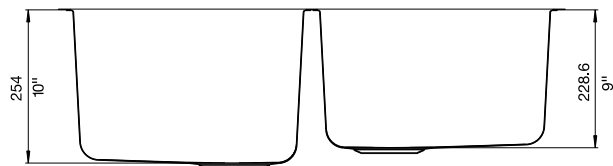
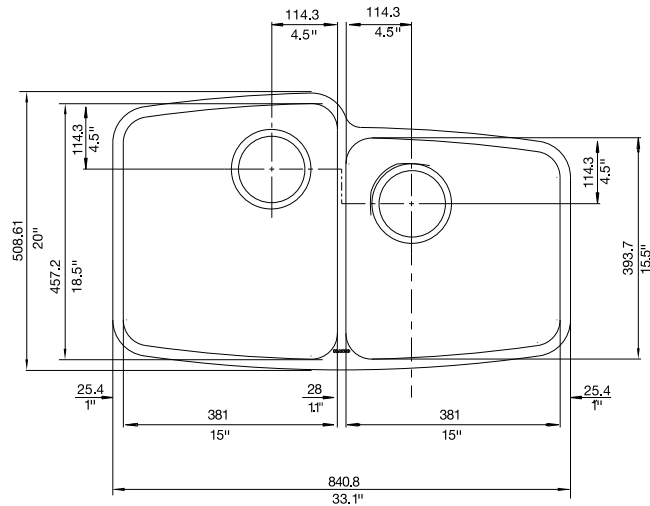


MODEL 441118

### NOMINAL DIMENSIONS

MODEL	OVERALL	CUTOUT		BOWL DEPTH LEFT	BOWL DEPTH RIGHT	DRAIN DIAMETER
		Template provided with approximate 1/8" reveal				
441118	33-1/8 x 20	10	9			3-1/2

DXF cutout templ



### JOB INFORMATION

Job Name: \_\_\_\_\_

Contact: \_\_\_\_\_

Date Specified: \_\_\_\_\_

Specifier: \_\_\_\_\_

Contractor: \_\_\_\_\_

BLANCO AMERICA

800.451.5782

www.blancoamerica.com