

### FEATURED MODEL

440687 Bar (Cold Water Only), SATIN NICKEL

### ADDITIONAL MODELS

440688 Bar (Cold Water Only), CHROME

### FEATURES

- Solid brass body
- Cold water only bar faucet
- Ceramic disk cartridge
- Extra long supply lines
- 2.2 GPM flow rate
- Installation in a 1-3/8" hole
- 0 degree spout swivel
- 2-3/8" maximum deck thickness

### OPTIONAL ACCESSORIES

Alta Soap Dispenser: 440045 (Satin Nickel)

### CODE/STANDARDS COMPLIANCE

ASME A112.18.1-2011  
NSF 61 certified  
NSF 61 ANEX G low lead requirements  
CMR 248 - MA

**AB1953 Lead Free**

### WARRANTY

BLANCO'S kitchen and bar faucets feature a LIMITED LIFETIME WARRANTY to be free of all manufacturing defects under normal use. See our complete warranty for details.

While BLANCO endeavors to provide accurate information, all dimensions are nominal, cannot be guaranteed, and are subject to change or cancellation. BLANCO assumes no responsibility for use of superseded or voided specifications.

### JOB INFORMATION

Job Name: \_\_\_\_\_

Contact: \_\_\_\_\_

Date Specified: \_\_\_\_\_

Specifier: \_\_\_\_\_

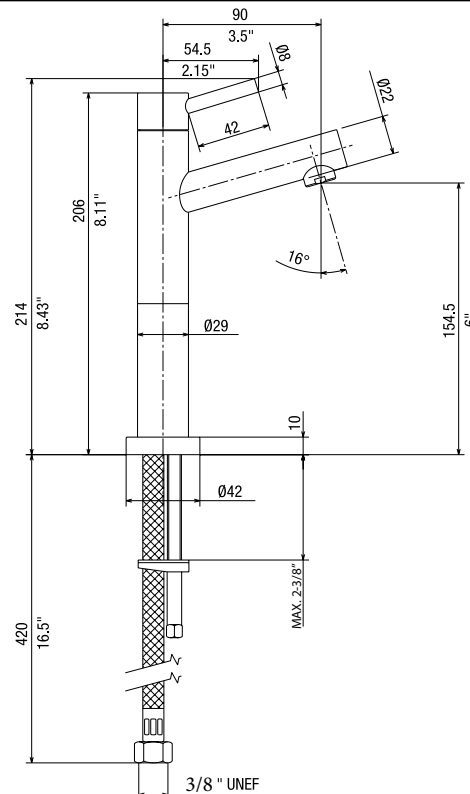
Contractor: \_\_\_\_\_



Model 440687 shown

### NOMINAL DIMENSIONS

REACH	SPOUT HEIGHT	FAUCET HEIGHT
3-1/2"	6"	8-1/2"



See next page for exploded parts drawing and parts list.

**BLANCO AMERICA**

800.451.5782

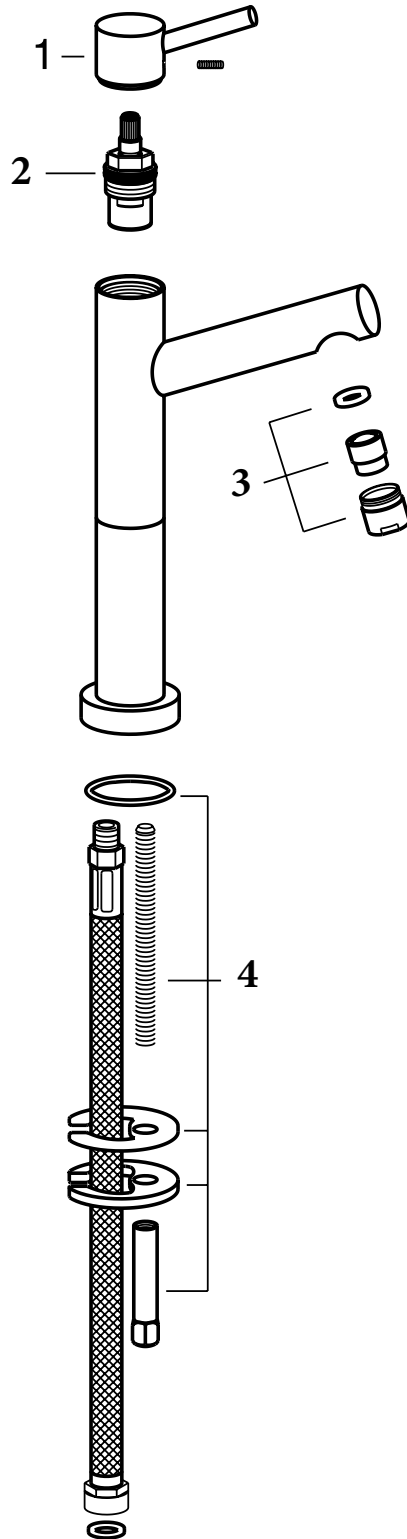
www.blancoamerica.com

© 2013 BLANCO AMERICA

7/13

SPEC-003

Old Model #: 157-051-ST



REPAIR PART GUIDE		
Num.	Description	Part #
1	Handle - Satin Nickel	441855
2	Cartridge	440764
3	Aerator set	441896
4	Mounting hardware	441897

**Need to Change a Faucet Cartridge?**

Scan this QR code to see our how-to video

For faucet technical support or questions, please e-mail us at [faucets@blancoamerica.com](mailto:faucets@blancoamerica.com)