

FEATURED MODEL

440598 PURUS I SATIN NICKEL

ADDITIONAL MODELS

441203 PURUS I CAFE BROWN & CHROME

440600 PURUS I CHROME

440599 PURUS I ANTHRACITE & CHROME

441205 PURUS I BISCOTTI & CHROME

441329 PURUS I TRUFFLE & CHROME

FEATURES

- AB1953 compliant
- Reversible mounting hardware adapts to thick or thin mounting services
- Solid brass body
- Ceramic disc cartridges
- Color coded hot & cold supply lines
- Maximum 2.2 GPM flow rate
- Installation in a 1-3/8" hole

CODE/STANDARDS COMPLIANCE

ASME A112.18.1-2005

NSF 61 certified

NSF 61 ANEX G low lead requirements

AB1953 Lead Free

WARRANTY

BLANCO kitchen faucets in Chrome and Stain Nickel a LIMITED LIFETIME WARRANTY to be free of all manufacturing defects under normal use. A 5-YEAR LIMITED WARRANTY on all SILGRANIT color matching faucets. See our complete warranty for details.

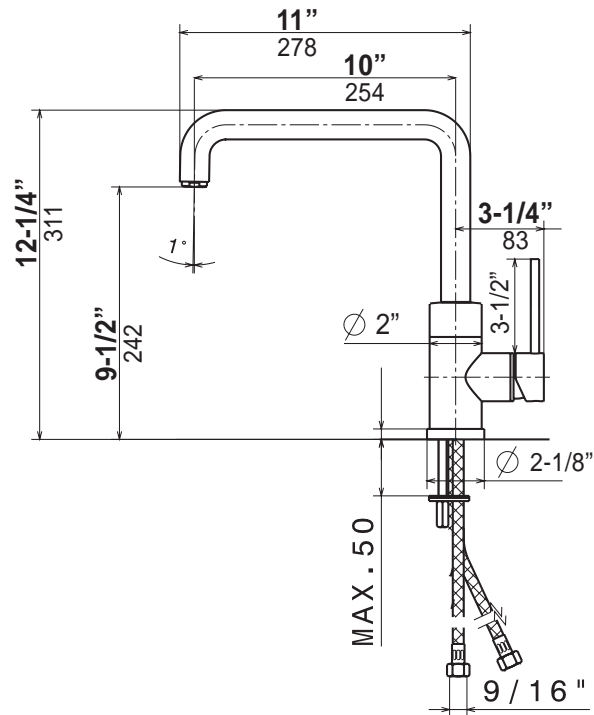
While BLANCO endeavors to provide accurate information, all dimensions are nominal, cannot be gaurenteed, and are subject to change or cancellation. BLANCO assumes no responsibility for use of superseded or voided specifications.



NOMINAL DIMENSIONS

Model 440599 shown

REACH	SPOUT HEIGHT	FAUCET HEIGHT
10"	9-1/2"	12-1/4"



JOB INFORMATION

Job Name: _____

Contact: _____

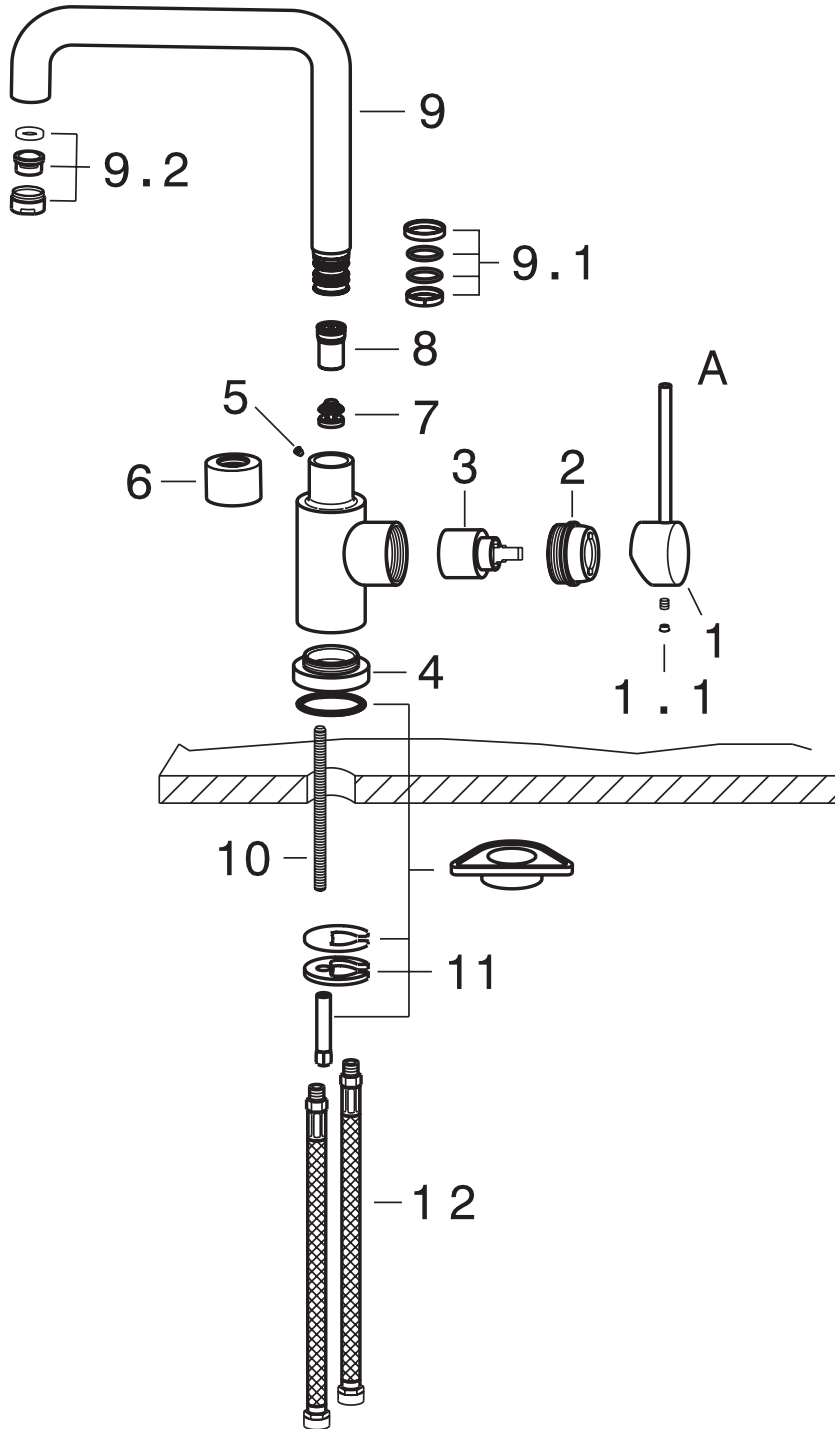
Date Specified: _____

Specifier: _____

Contractor: _____

See next page for exploded parts drawing and parts list.

BLANCO AMERICA
800.451.5782
www.blancoamerica.com



NUM.	DOC. PART #
1	17970
1.1	16125
2	16034
3	14720
4	17950
5	10235
6	12725
7	15304
8	15303
9	15315
9.1	17972
9.2	89
10	16992
11	17973
12	15005
13	15006
14	15101
15	10618
16	12050
17	15305
18	15306
19	18307
20	15307
21	15752
21.1	157017