

FEATURED MODEL

440557 Semi Professional 2.2 gpm, SATIN NICKEL

ADDITIONAL MODELS

440558 Semi Professional 2.2 gpm, CHROME

441408 Semi Professional 1.8 gpm, CHROME

441409 Semi Professional 1.8 gpm, SATIN NICKEL

441753 Semi Professional 1.5 gpm, CHROME

441754 Semi Professional 1.5 gpm, SATIN NICKEL

FEATURES

- Solid brass body and pull-down handspray
- Ceramic disk cartridge
- Extra long supply lines
- 2.2 GPM flow rate
- Installation in a 1-3/8" hole
- Color coded hot and cold supply lines
- 5" to 6" pull down
- 360 degree spout swivel
- 3" backsplash clearance off center
- 3-1/2" maximum deck thickness

OPTIONAL ACCESSORIES

Meridian Soap Dispenser: 440058 (Satin Nickel)

CODE/STANDARDS COMPLIANCE

ASME A112.18.1-2011

NSF 61 certified

NSF 61 ANEX G low lead requirements

CMR 248 - MA

AB1953 Lead Free

WARRANTY

BLANCO'S kitchen and bar faucets feature a LIMITED LIFETIME WARRANTY to be free of all manufacturing defects under normal use. See our complete warranty for details.

While BLANCO endeavors to provide accurate information, all dimensions are nominal, cannot be guaranteed, and are subject to change or cancellation. BLANCO assumes no responsibility for use of superseded or voided specifications.

JOB INFORMATION

Job Name: _____

Contact: _____

Date Specified: _____

Specifier: _____

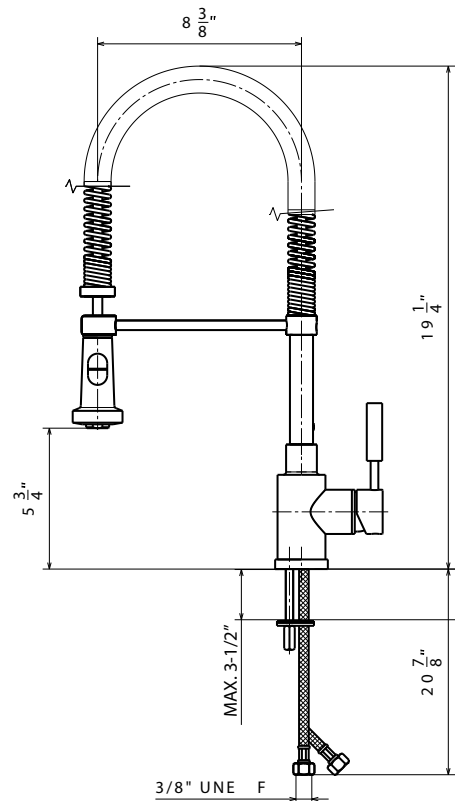
Contractor: _____



Model 440557 shown

NOMINAL DIMENSIONS

REACH	SPOUT HEIGHT	FAUCET HEIGHT
8-3/8"	5-3/4"	19-1/4"



See next page for exploded parts drawing and parts list.

BLANCO AMERICA

800.451.5782

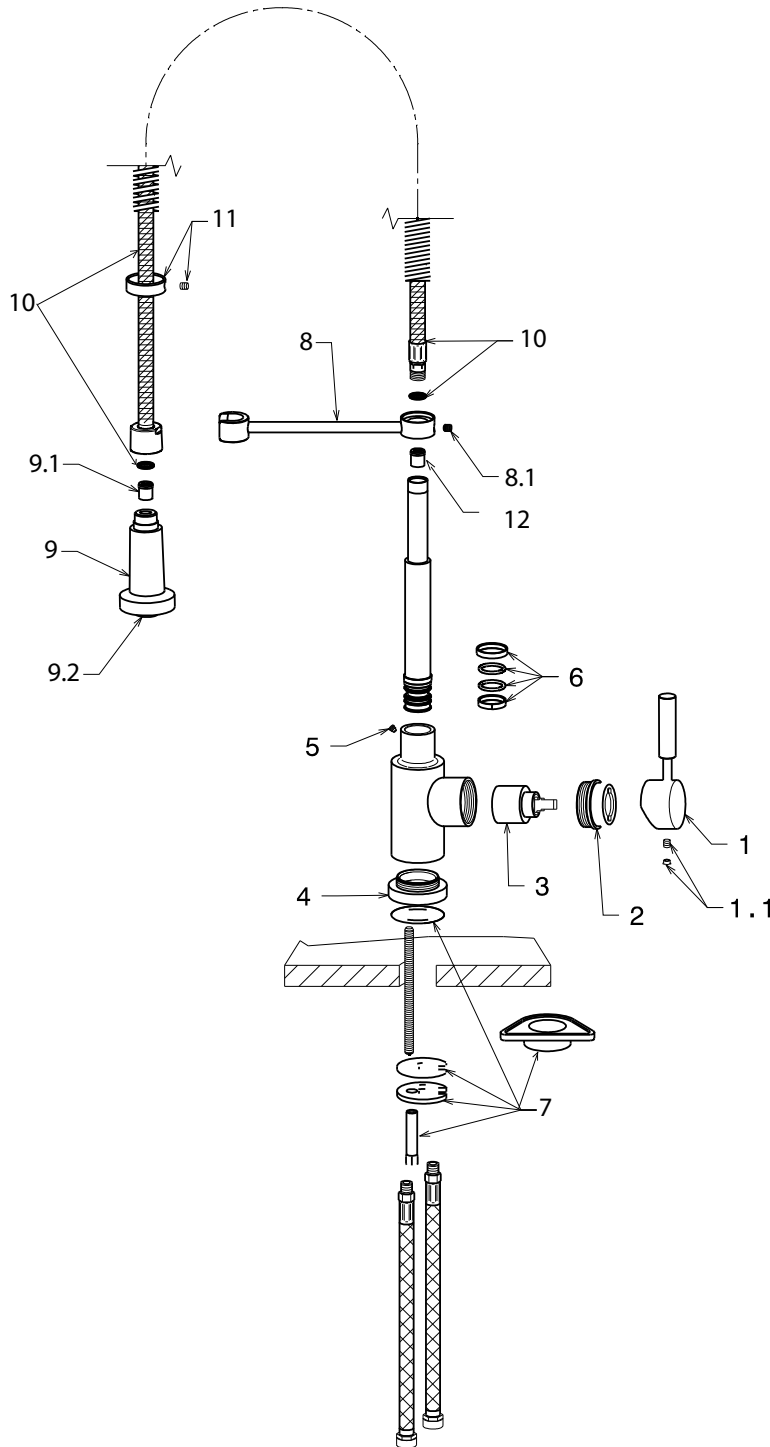
www.blancoamerica.com

© 2013 BLANCO AMERICA

10/14

SPEC-004

Old Model #: 157-140-ST



REPAIR PART GUIDE		
Num.	Description	Part #
1, 1.1	Handle w/ screw & cap - Satin Ni	441860
1.1	Handle Screw/Cap only- Satin Ni	440890
2	Cartridge Lock Nut	441862
3	Cartridge	440877
4	Round base - Satin Nickel	441864
5	Holding screw	441745
6	O-ring set	441744
7	Mounting set	441751
8, 8.1	Handspray dock station and screw	441866
8.1	Docking station screw	441867
9,9.1,9.2	Handspray - Satin Nickel	440875
9.1	Flow regulator	441448
9.2	Aerator	441748
10	Pull-out hose	441737
11	Spring ring & screw - Satin Nickel	441869
12	Flow regulator/check valve	441743

Need to Change a Faucet Cartridge?



Scan this QR code
to see our how-to video

For faucet technical support or questions,
 please e-mail us at faucets@blancoamerica.com