

# Marina

Model Ref. 23090

Material: Vitreous china

Color: White

Installation: Wall-mount

Overall Dimensions: 19.7" L x 15" W x 6.25" H

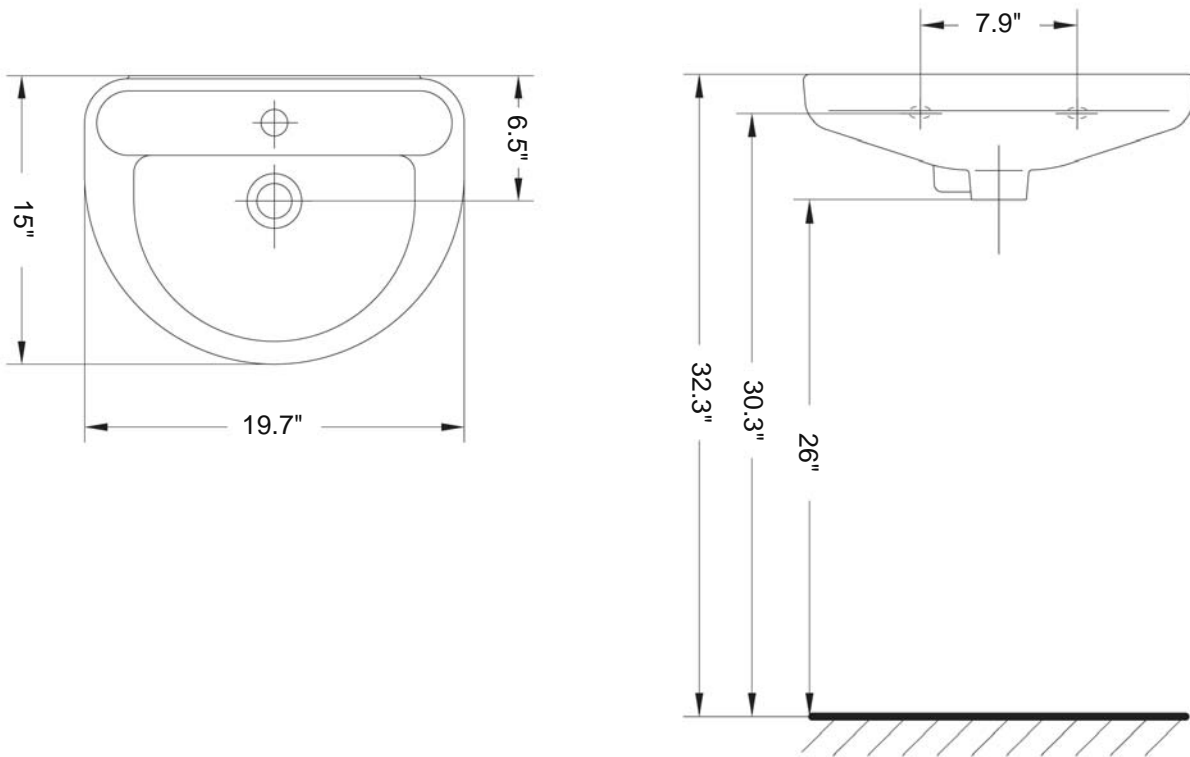
Interior Dimensions: 14.5" L x 10" W x 4" H

Drain hole: 1.75" Interior Diameter

Features: Overflow and one pre-drilled faucet hole

Components included: Wall mounting fixing bolts

Recommended accessory (not included): 2.5" Diameter drain i.e. Click-clack Drain Ref. 360551



All dimensions are nominal

BISSONNET

Tel. (610) 454-1295 · Fax (610) 454-9385 · info@bissonnet.net · www.bissonnet.net