



RESIDENTIAL PLASTIC TOILET SEAT

MODEL #

COLOR #

LC212

DESCRIPTION :

Closed front with cover, elongated, injection molded solid plastic toilet seat made to fit American Standard® Roma 2009.017, Luxor 2003.036 and Carlyle 2010.031 toilets. Features four molded-in bumpers, color-matched plastic hinges with non-corrosive 300 Series stainless steel posts and pintles on 10" centers. This seat complies with IAPMO/ANSI Z124.5-2013 Plastic Toilet Seats as a class Residential.

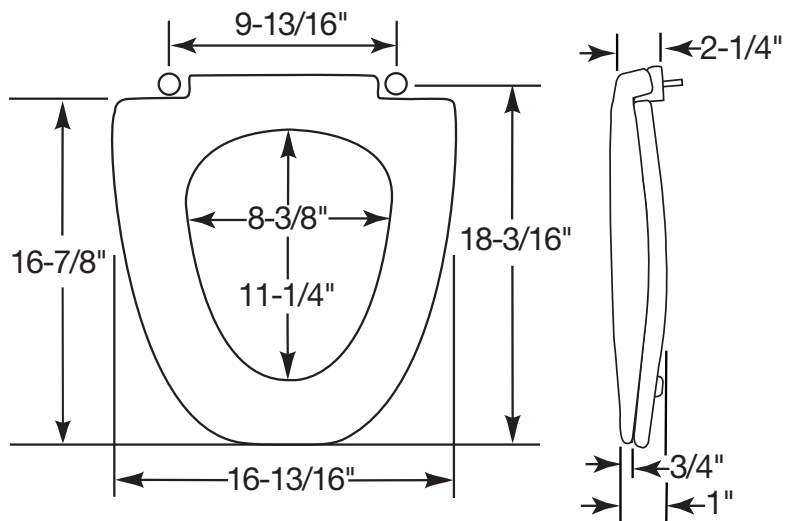
SPECIFICATIONS :

Size:	Elongated
Material:	Plastic
Style:	Closed Front with Cover
Bumpers:	Four
Hinges:	Plastic with 300 Series Stainless Steel Posts and Pintles
Fastening System:	Non-Corrosive 300 Series Stainless Steel Nuts

FEATURES :

- Fits American Standard® Bowls
- 10" Bolt Spread
- Non-Corrosive 300 Series Stainless Steel Posts, Pintles and Nuts

DIMENSIONS :



PLASTIC HINGES WITH
STAINLESS STEEL POSTS
AND PINTLES



NON-CORROSIVE
STAINLESS STEEL NUTS

