



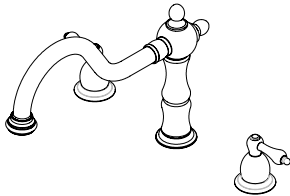
Belle Forêt
collection

N405

ROMAN TUB FAUCET

Product Features

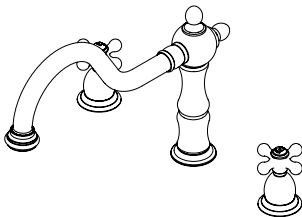
- 8-20" Adjustable centers
- 4.0 GPM @ 20 PSI minimum flow rate
- 15.5 GPM @ 20 PSI maximum flow rate
- 17.4 GPM @ 30 PSI maximum flow rate
- Brass valve body
- Ceramic Cartridges
- Braided Stainless Steel Connector hoses
- Handle:



N405 01



- N405 01 Metal lever handle
- N405 02 Metal cross handle



N405 02

Standards/Approvals

- N405 meets or exceeds:
 - ANSI/ASME A112.18.1
 - IAPMO/UPC
 - Massachusetts
 - N405 01 meets ADA requirements

UPC®

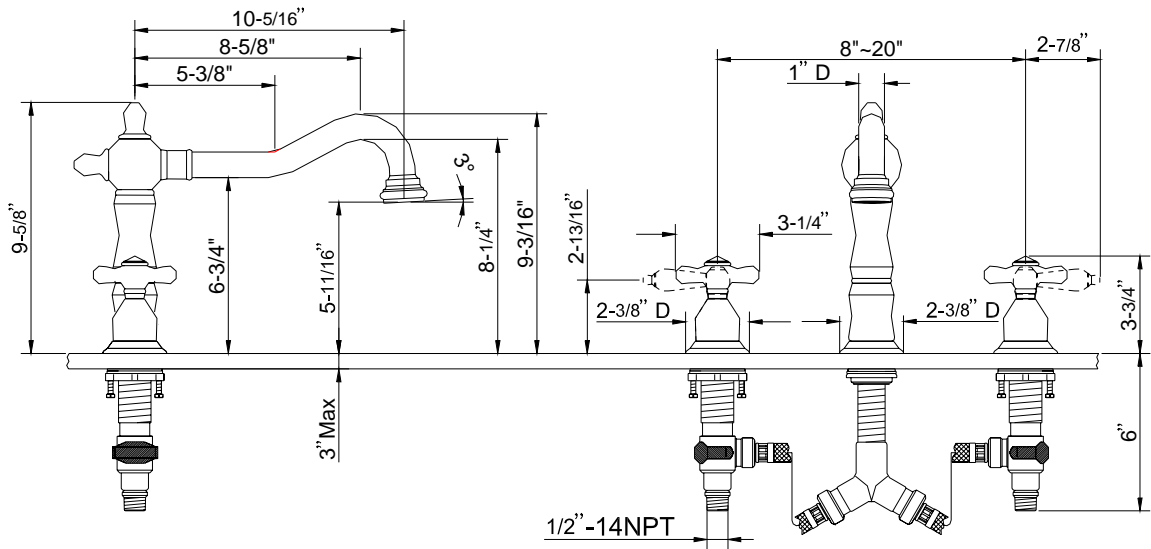
PRODUCT SPECIFICATION:

Roman Tub faucet shall have a brass body, ceramic cartridge, 10-5/16" spout and lever or cross handle. Product shall be able to be installed 8" to 20" centers applications. Product shall be Belle Forêt model N405 _____.



Belle Forêt
collection

N405 ROMAN TUB FAUCET



Other Specifications

Faucet Hole diameter	1-1/2"
Max Deck Thickness	3"

Available Finishes

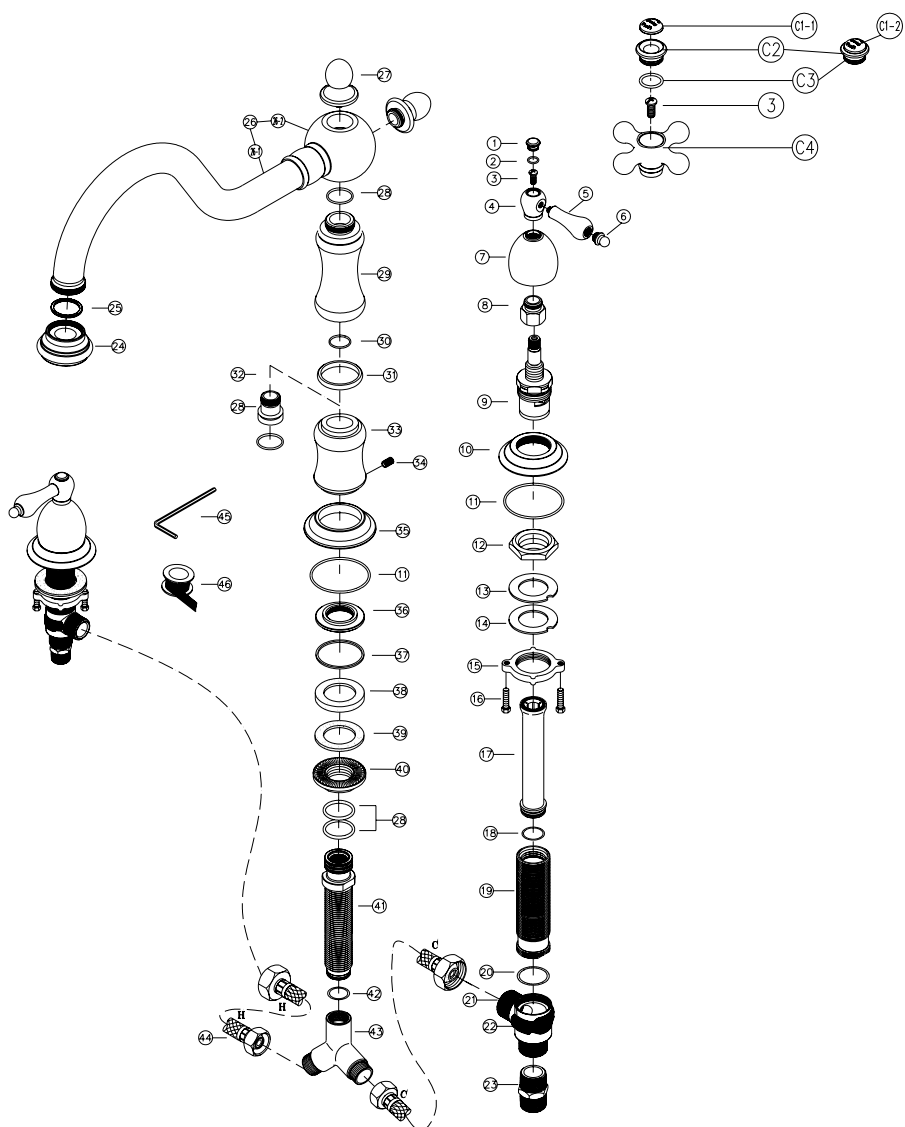
- Chrome
- Polished Brass
- Satin Nickel
- Oil Rubbed Bronze
- Matte Nickel
- Weathered Copper



Belle Forêt
collection

N405 ROMAN TUB FAUCET

PARTS BREAKDOWN





Belle Forêt
collection

N405

ROMAN TUB FAUCET

PARTS LISTING

No	Name	Kit / Part #	Q'ty	No	Name	Kit / Part #	Q'ty	
1	Index	663292xx	1	20	O-Ring	N/A	2	
2	Oring		1	21	Connector		2	
3	Screw		1	22	Clip Ring		2	
4	Handle Hub	N/A	2	23	Connector		2	
5	Lever		2	24	Spout Outlet	663683xx	1	
6	Handle Knob		2	25	Seal		1	
C1-1	Index - English	663295xx	2	26	Spout	N/A	1	
C2	Handle Cap		2	26-1			1	
C3	Oring		2	26-2			1	
C1-2	Index - French		2	27	Knob		2	
C2	Handle Cap		2	28	O-Ring		4	
C3	Oring		2	29	Sleeve		1	
3	Screw	N/A	2	30	O-Ring	1		
C4	Cross Handle		2	31	Ring	1		
7	Canopy		2	32	Nut	1		
8	Connector	663681	1	33	Sleeve	1		
9	Cartridge-Hot		1	34	Set Screw	663684	1	
8	Connector	663682	1	45	Allen Wrench		1	
9	Cartridge-Cold		1	35	Trim Ring	303235xx	1	
10	Trim Ring	N/A	2	36	Nut	N/A	1	
11	O-Ring		3	37	O-Ring		1	
12	Upper Lock Nut		2	38	Seal		1	
13	Washer		2	39	Washer		1	
14	Washer		2	40	Nut		1	
15	Lock Nut		2	41	Spout Shank		1	
16	Screw		4	42	O-Ring		1	
17	Connecting Tube		2	43	Spout Connector		1	
18	O-Ring		2	44	Connector Hose		105111	1
19	Shank		2	46	Pipe Tape		N/A	1

xx designates finish matched parts.