



N200 SINGLE HANDLE BAR FAUCET

Product Features

Single Post Mount or 4" Centerset Installation

2.2 GPM @ 60PSI water saving aerator

Brass body with copper supply inlets

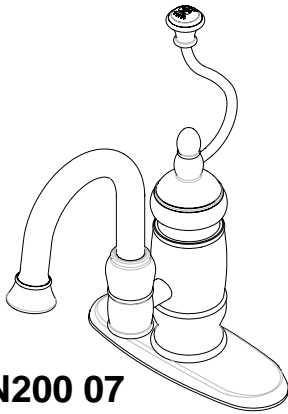
1/2" 14 NPS Inlet

Ceramic cartridge

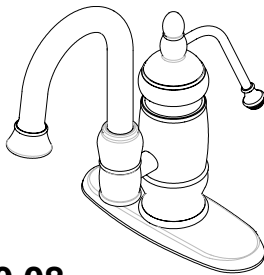
Handle:

N200 07 Metal spiral handle

N200 08 Metal pump handle



N200 07



N200 08

Standard/Approvals

N200 meets or exceeds:

ANSI/ASME A112.18.1

ANSI/NSF 61 – Sec 9

IAPMO/UPC

California Proposition 65

Massachusetts

Meets ADA requirements



UPC®



PRODUCT SPECIFICATION:

Single-handle bar faucet shall have a brass body, ceramic cartridge, 6" spout and spiral or pump handle. Product shall be able to be installed in either single hole or 4" centerset applications. Product shall be Belle Forêt model N200 _____.

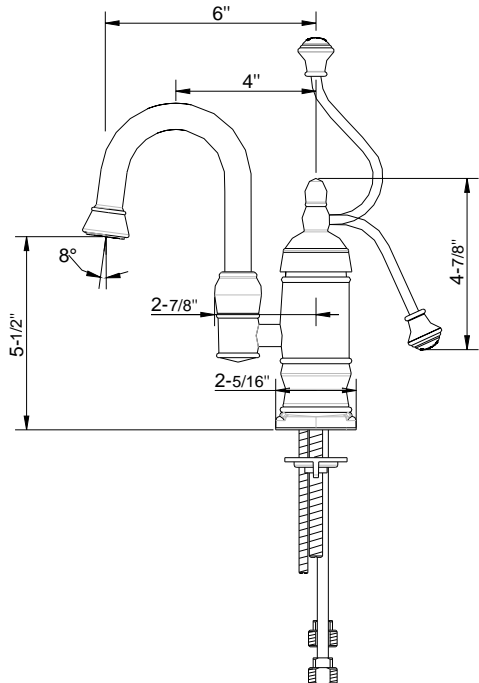
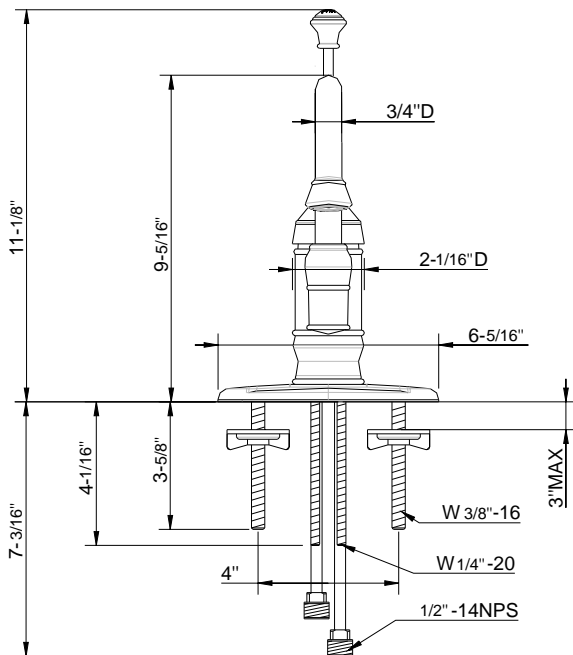


Belle Forêt
collection

N200 SINGLE HANDLE BAR FAUCET

4" Centerset Installation

(With Deckplate)



Other Specifications

Faucet Hole diameter	1-1/2"
Deck Plate	6-1/4" X 2-5/16"
Single Post Mount Installation (less deckplate)	
Max Deck Thickness	3-3/8"
Body Base Diameter	2-1/16"
Spout Height	8-7/8"
Aerator Clearance	5"
Spout Clearance	8-1/8"

Available Finishes

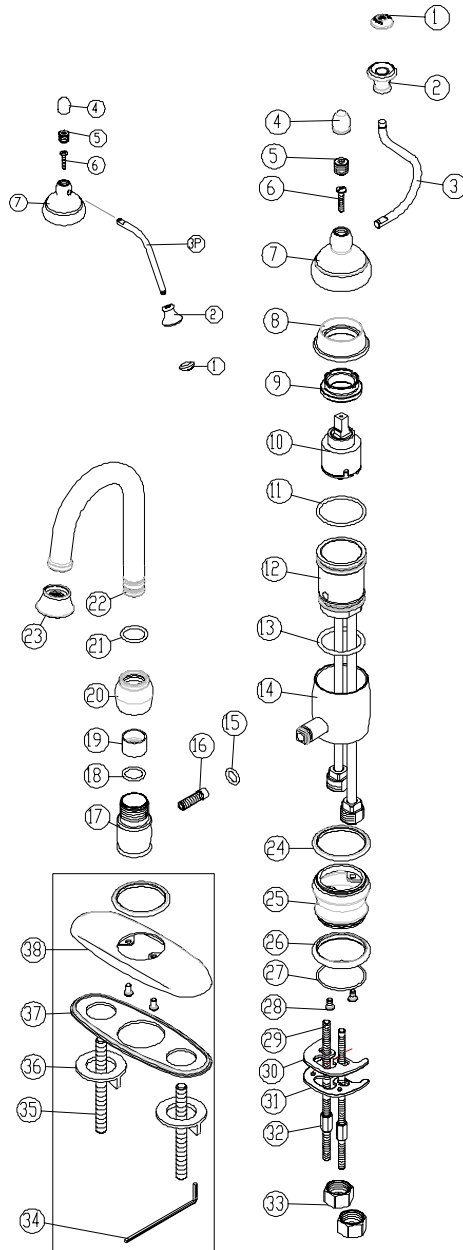
- Chrome
- Polished Brass
- Satin Nickel
- Oil Rubbed Bronze
- Matte Nickel
- Weathered Copper



Belle Forêt
collection

N200 SINGLE HANDLE BAR FAUCET

PARTS BREAKDOWN





Belle Forêt
collection

N200 SINGLE HANDLE BAR FAUCET

PARTS LISTING

No	Name	Kit# / Part#	Q'ty	No	Name	Kit# / Part#	Q'ty
1	Porc. Index	N/A	1	18	O-ring	663204N	1
2	Knob		1	19	Clip ring		1
3	Spiral wire		1	21	O-ring		1
3P	Pump wire		1	20	Bonnet	N/A	1
4	cap	663294xx	1	23	Aerator	500767Nxx	1
5	Screw		1	24	Trim ring	021126xx	1
6	Screw		1	25	Body base	N/A	1
34	Allen wrench		1	26	Trim ring	021125xx	1
7	Canopy	N/A	1	27	O-ring	N/A	2
8	Cap		1	28	Screw		4
9	Retainer nut		1	29	Bolt		2
10	Cartridge	663293N	1	30	Rubber washer		1
11	O-ring		1	31	Metal washer		1
12	Body assembly	N/A	1	32	Mounting nut		2
13	O-ring		1	33	Supply nut		2
14	Sleeve		1	35	Bolt		2
15	O-ring		1	36	Nut	2	
16	Screw		1	37	Bottom plate	1	
17	Spout base		1	38	Deck plate	1	

xx designates finish matched parts.