



Belle Forêt
collection

N120

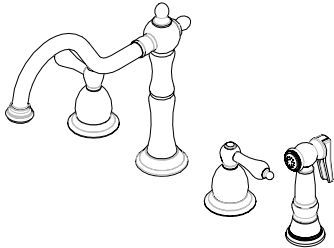
TWO HANDLE KITCHEN FAUCET

Product Features

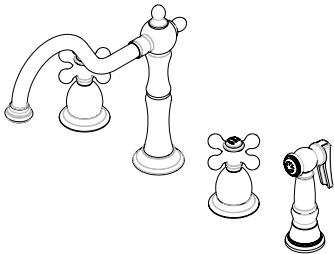
- 6-12" Widespread Installation
- 2.2 GPM @ 60PSI water saving aerator
- Brass body
- 1/2" 14 NPS Inlet
- Ceramic cartridge
- Metal spray with finish matched lever
- Handle:

N120 01 Metal lever handle

N120 02 Metal cross handle



N120 01



N120 02

Standards/Approvals

N120 meets or exceeds:

ANSI/ASME A112.18.1

ANSI/NSF 61 – Sec 9

IAPMO/UPC

California Proposition 65

Massachusetts

N120 01 meets ADA requirements

UPC®



PRODUCT SPECIFICATION:

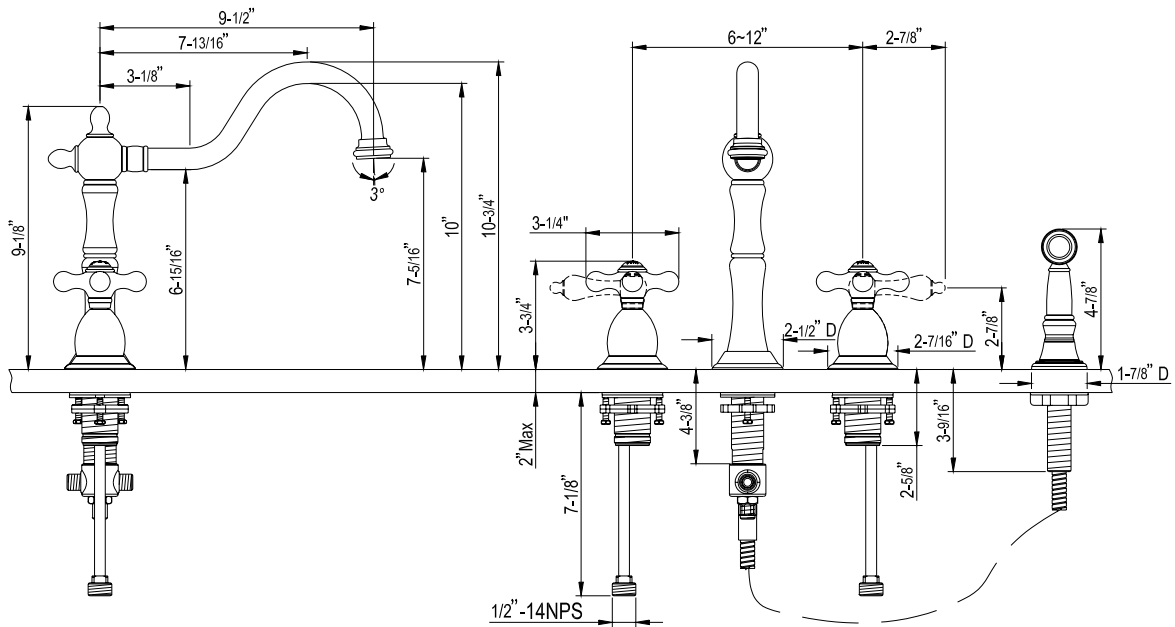
Two-handle kitchen faucet shall have a brass body, ceramic cartridge, 9-1/2" spout, metal spray with finish matched lever and metal lever or metal cross handle. Product shall be able to be installed in 6-12" widespread installation. Product shall be Belle Forêt model N120 _____.



Belle Forêt
collection

N120

TWO HANDLE KITCHEN FAUCET



Other Specifications

Faucet Hole diameter	1-1/2"
Max Deck Thickness	
Spout	3"
Valves	2"
Sprayer	3"

Available Finishes

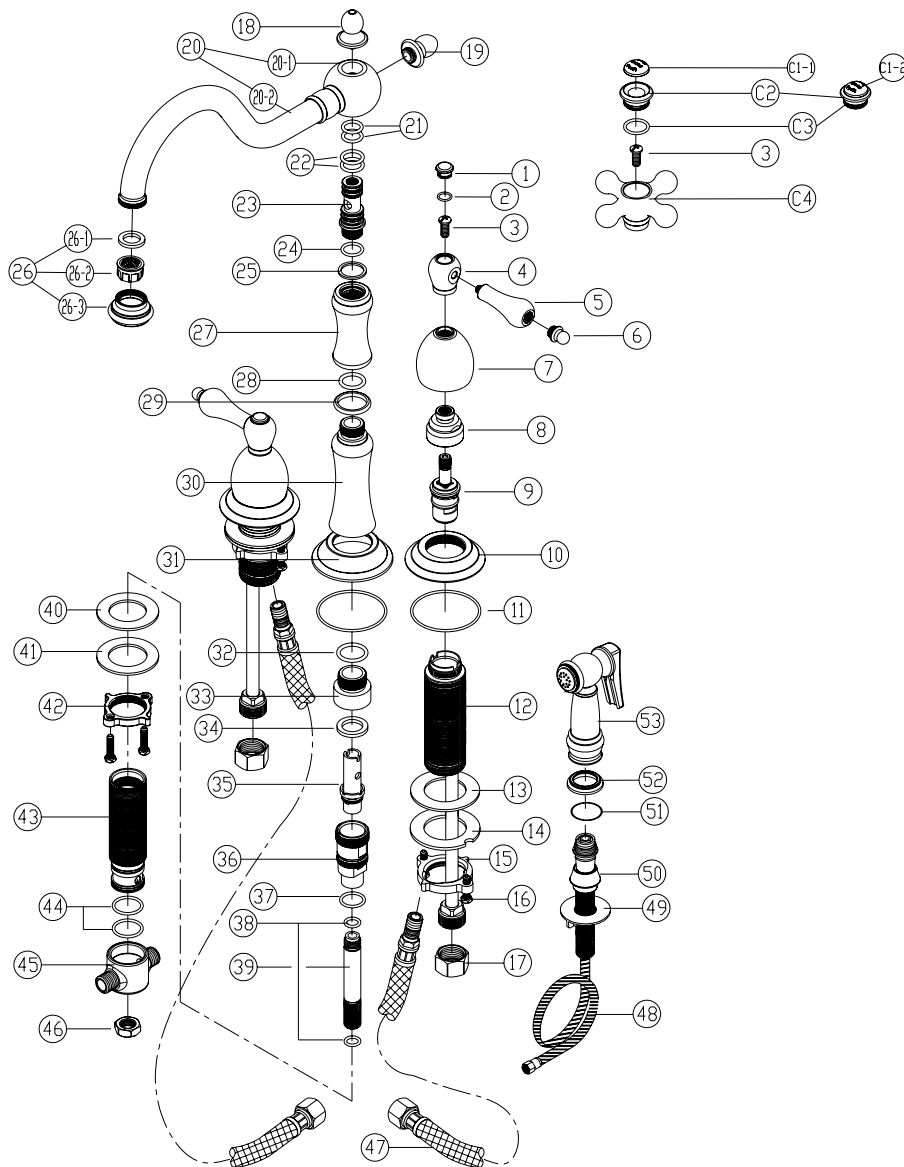
- Chrome
- Polished Brass
- Stainless Steel
- Oil Rubbed Bronze
- Matte Nickel
- Weathered Copper
- Polished Nickel



Belle Forêt
collection

N120 TWO HANDLE KITCHEN FAUCET

PARTS BREAKDOWN





Belle Forêt
collection

N120

TWO HANDLE KITCHEN FAUCET

PARTS LISTING

No	Name	Kit / Part #	Q'ty	No	Name	Kit / Part #	Q'ty
1	Index	663292xx	1	23	Connector	N/A	1
2	O-RING		1	24	O-RING		1
3	Screw		1	25	Washer		1
4	Handle hub	N/A	2	26	Aerator	500768Nxx	1
5	Lever		2	26-1			1
6	Handle knob		2	26-2			1
C1-1	Index-English	2	26-3	1			
C2	Handle cap	663295xx	2	27	Connector	N/A	1
C3	O-RING		2	28	O-RING		1
C1-2	Index kit-French		2	29	Ring		1
C2	Handle cap		2	30	Connector	1	
C3	O-RING		2	31	Trim ring	034750xx	1
3	Screw		2	32	O-RING	N/A	1
C4	Cross handle		N/A	2	33		Connector
7	Canopy	2		34	Seal		1
8	Retainer nut	663998N	1	35	Diverter		1
9C	Cartridge -H		1	36	Diverter seat		1
8	Retainer nut	663999N	1	37	Oring		1
9H	Cartridge-C		1	38	O-RING		2
10	Trim ring	N/A	2	39	Connector		1
11	O-RING		3	40	Washer		1
12	Valve Body		2	41	Washer		1
13	Seal		2	42	Lock nut	1	
14	Washer		2	43	Tube	1	
15	Nut		2	44	O-RING	2	
16	Screw		6	45	Connector	1	
17	Supply nut		2	46	Nut	1	
18	Knob		1	47	Supply hose	668210N	2
19	Knob		1	48	Spray hose	511103Nxx	1
20	Spout		1	49	Nut	664160xx	1
20-1	Spout joint		1	50	Sprayer Nest		1
20-2	Spout tube		1	51	O-RING		1
21	O-RING		2	52	Trim Ring	1	
22	O-RING	2	53	Spray head	503122Nxx	1	

xx designates finish matched parts.