



N310

Single Handle Vessel Filler

Product Features

Wall Mount with variable rough-in depth

Minimum 2-1/8"

Maximum 3-1/4"

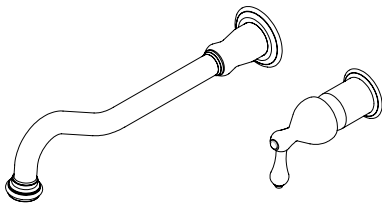
2.2GPM @60PSI water saving aerator

10-1/4" spout reach @ 2-1/8" rough-in

(9-1/8" @ 3-1/4" rough-in)

1/2" copper sweat inlets

Drip free ceramic cartridge

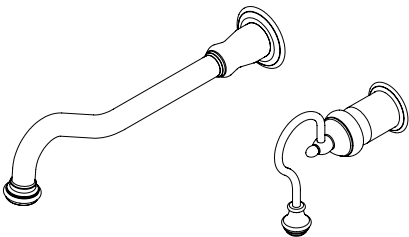


N310 05

Handle:

N310 05 Metal lever handle

N310 06 Metal pump handle



N310 06

Standards/Approvals

N310 meets or exceeds:

ANSI/ASME A112.18.1

ANSI/NSF 61 – Sec 9

IAPMO/UPC

California Proposition 65

Massachusetts

Meets ADA requirements



UPC®



PRODUCT SPECIFICATION:

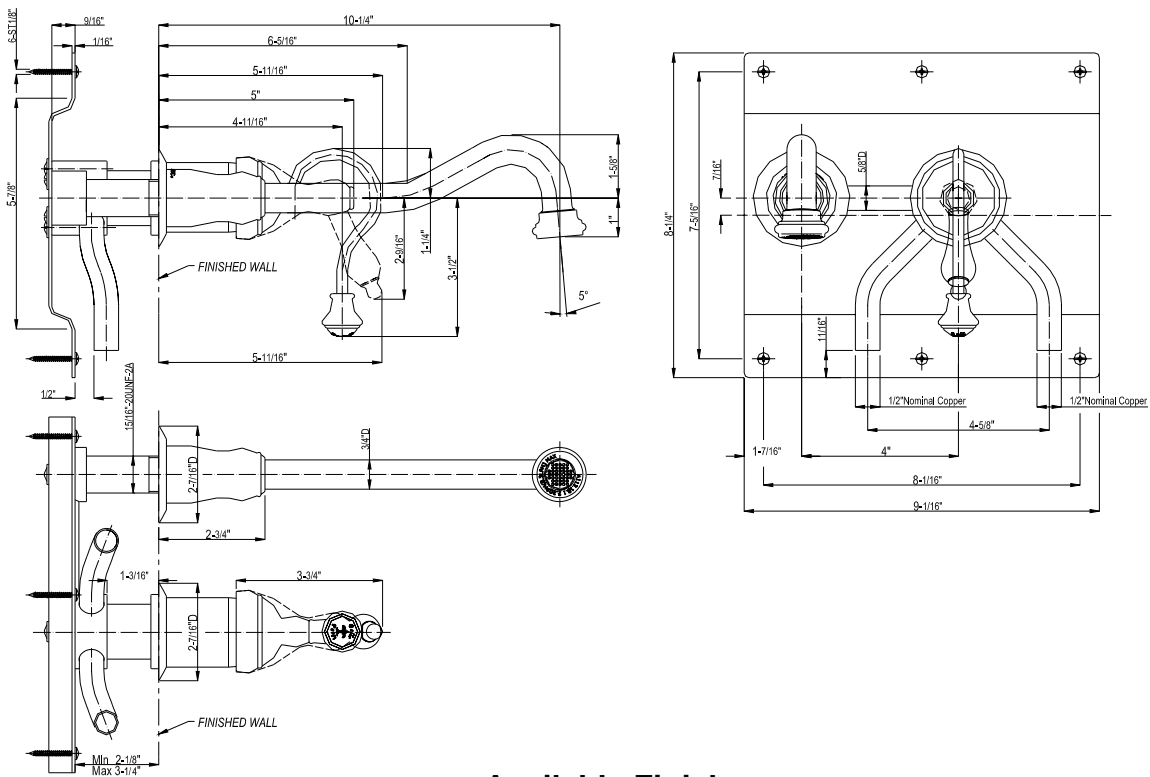
Vessel filler shall have a brass body, ceramic cartridge, metal lever or pump handle.
Product shall be Belle Forêt model N310 _____.



Belle Forêt
collection

N310 Single Handle Vessel Filler

These measurements based on a rough-in of 2-1/8" from finished wall to mounting plate.



Available Finishes

- Chrome
- Polished Brass
- Satin Nickel
- Oil Rubbed Bronze
- Matte Nickel
- Weathered Copper
- Tumbled Bronze (N310 06 only)

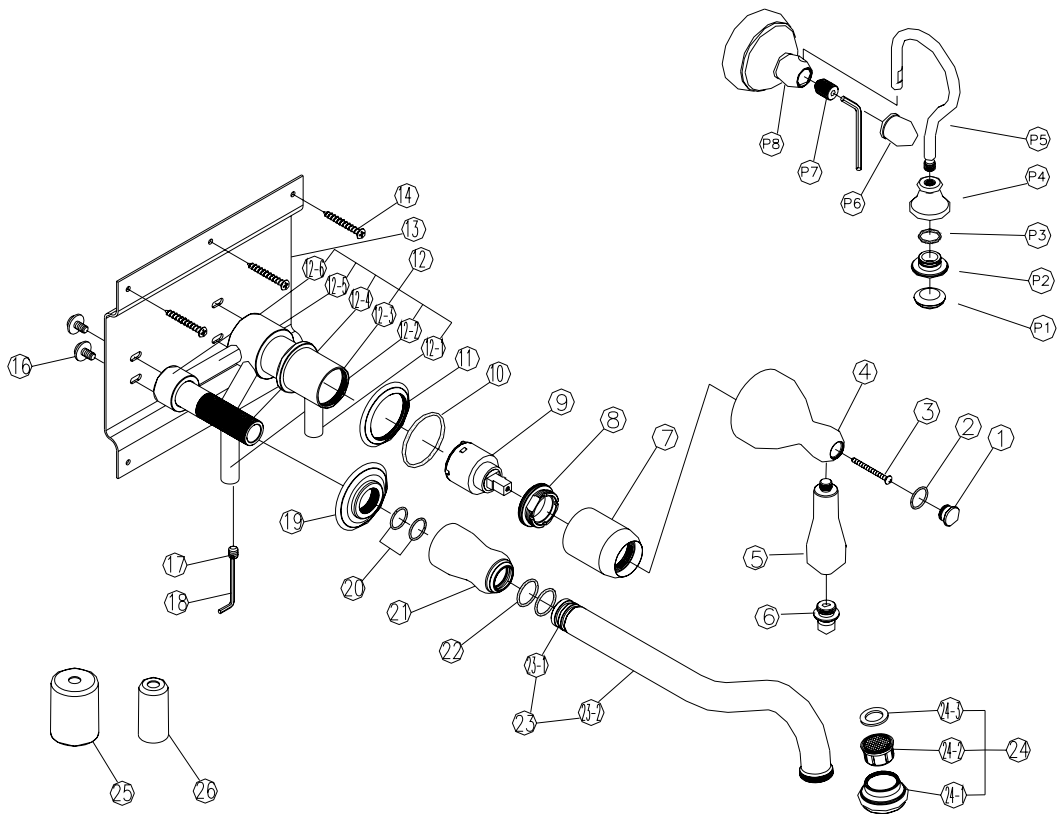


Belle Forêt
collection

N310

Single Handle Vessel Filler

PARTS BREAKDOWN





Belle Forêt
collection

N310

Single Handle Vessel Filler

PARTS LISTING

No	Name	Kit / Part #	Qty	No	Name	Kit / Part #	Qty
1	Index	663298XX	1	12	Body assembly	N/A	
2	O-RING		1	12-1			1
3	Screw		1	12-2			1
4	Canopy	1	12-3	1			
5	Lever handle	1	12-4	1			
6	Knob	1	12-5	1			
P1	Porc. Index	N/A	1	12-6			1
P2	Index		1	13	Wall plate		1
P3	O-RING		1	14	Screw		6
P4	Knob		1	16	Screw		6
P5	Pump wire		1	17	Set screw	663976	1
P6	Cap		1	18	Allen wrench		1
P7	Set screw		1	19	Spout trim ring	N/A	1
P8	Canopy		1	20	O-RING	663197N	2
P7	Set screw		1	22	O-RING		2
7	Sleeve		1	21	Canopy		1
8	Retainer nut	1	23	Spout assembly	N/A		
9	Cartridge	507348N	1			23-1	1
10	O-RING	N/A	1	23-2		1	
11	Escutcheon	215249XX	1	24	Aerator	500768NXX	
				24-1			1
				24-2			1
				24-3		1	
				25	Protective Sleeve	N/A	1
				26	Protective Sleeve		1

xx designates finish matched parts.