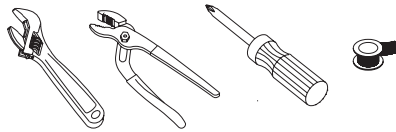


installation

For Models: N300 01, N300 02

Tools

- Adjustable wrench
- Groove joint plier
- Phillips screwdriver
- Pipe tape



Maintenance

Your new faucet is designed for years of trouble-free performance.

Keep it looking new by cleaning it periodically with a soft cloth. Avoid abrasive cleaners, steel wool and harsh chemicals as these will dull the finish and void your warranty.

Safety Tips

- If you use soldering for the installation of the faucet, the seats, cartridges and washers will have to be removed before using flame. Otherwise, warranty will be void on these parts.
- Protect your eyes with safety glasses when cutting or soldering water supply line.
- Cover your drain to avoid losing parts.

Important points

Prior to beginning installation, turn off the cold and hot water lines and open the old faucet to release built-up pressure. When installing your new faucet, turn the connector nuts finger-tight, then use one wrench to anchor the fitting and a second wrench to tighten the nut an additional turn. Connections that are too tight will reduce the integrity of the system. Wrap all threaded connections with Teflon tape available at your local hardware or plumbing supply store. Always wrap in a clockwise direction.

Things You May Need

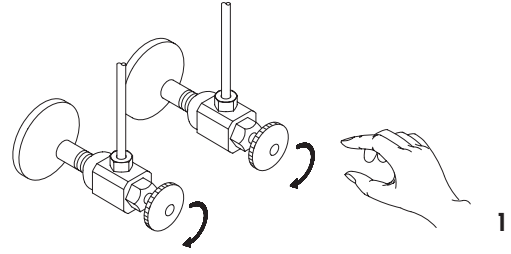
All installations can vary depending on how your previous faucet was installed. Necessary supplies to install your faucet are not all included; however, they are available wherever plumbing supplies are sold. When choosing your installation supplies, make sure they are IAPMO and/or CSA approved products.



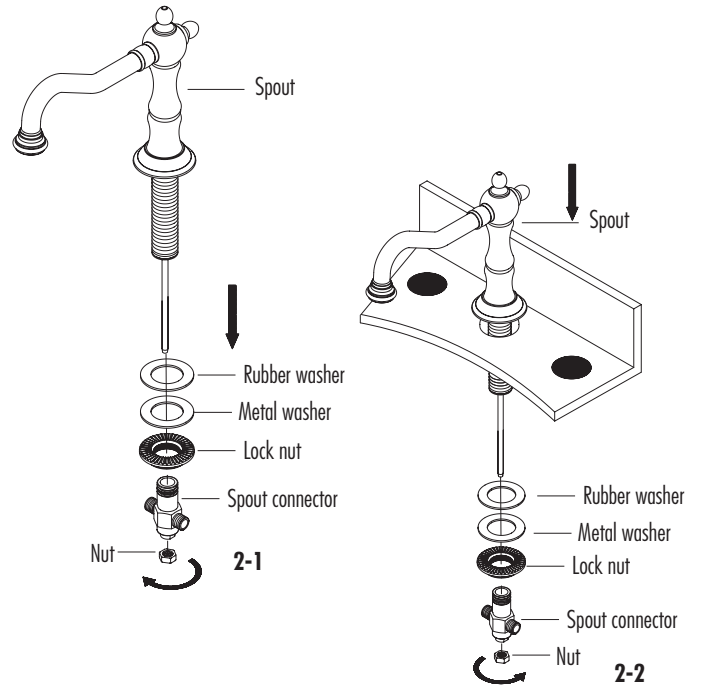
Belle Forêt
collection

Preparation/Assembly

1 Shut off water supply before installation.

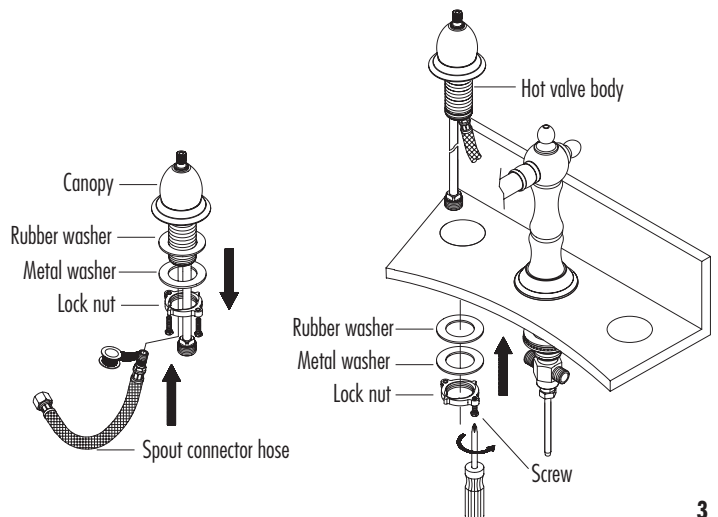


2 Remove rubber washer, metal washer, lock nut, spout connector and nut from spout shank. Position the spout in the faucet hole of the sink. Slide the rubber and metal washers up the shank and secure spout with the lock nut. Reattach spout connector and secure with nut.



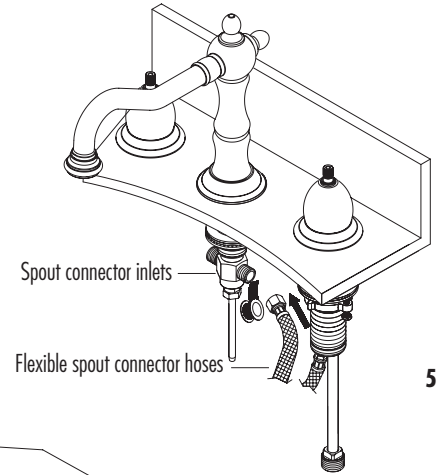
3 Remove lock nut, rubber washer and metal washer from hot valve body. Wrap male threaded end of flexible spout connector hose, and install in bottom of valve body. Insert valve body through the correct faucet hole, replace rubber and metal washers, and secure with lock nut.

4 Repeat step 3 for cold valve body.

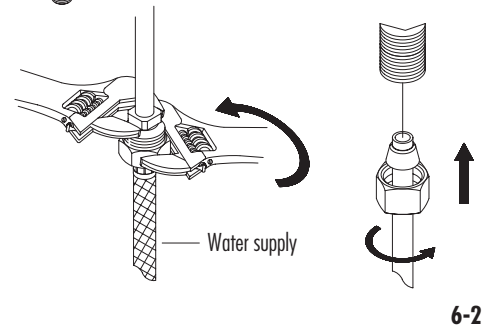
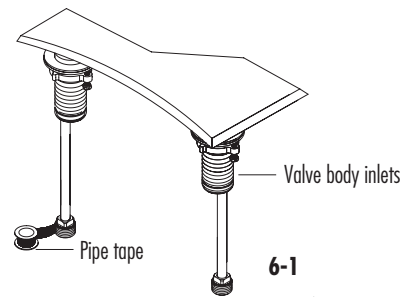


Preparation/Assembly

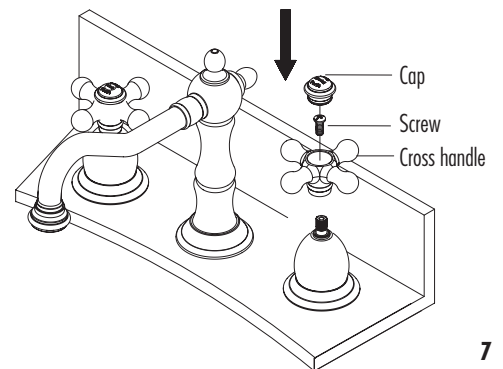
- 5** Wrap spout connector inlets with pipe tape, and connect to valve bodies with flexible spout connector hoses.



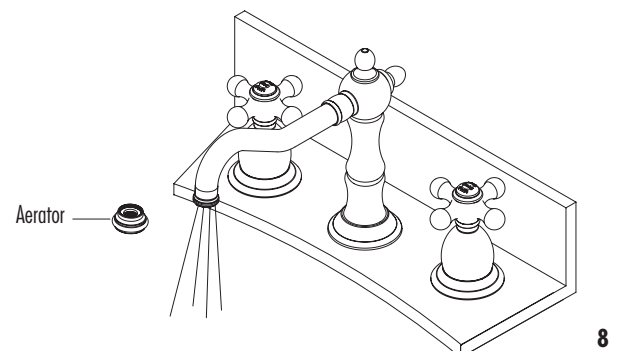
- 6** Wrap valve body inlets with pipe tape and connect to water supply.



- 7** Install handles.



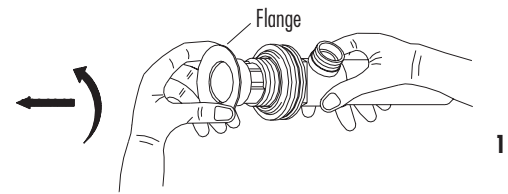
- 8** Remove aerator and turn on water for 1 minute to flush the lines. Replace aerator. Check for leaks.



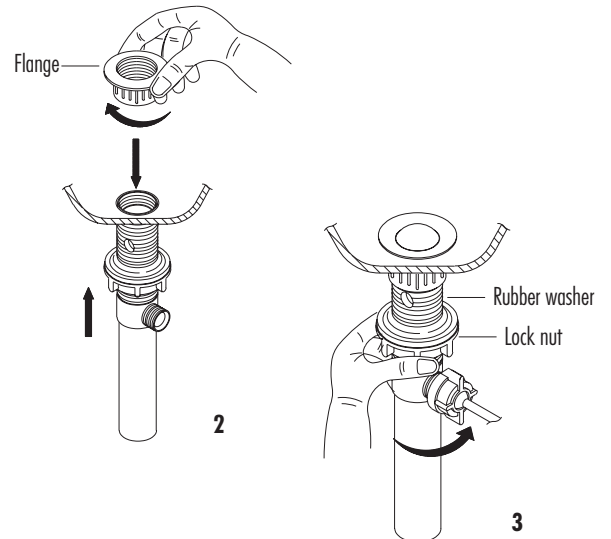
Steps 5-8

Installation - Pop-Up drain

1 Remove flange from pop up main body. Leave large black washer and nut on drain body.

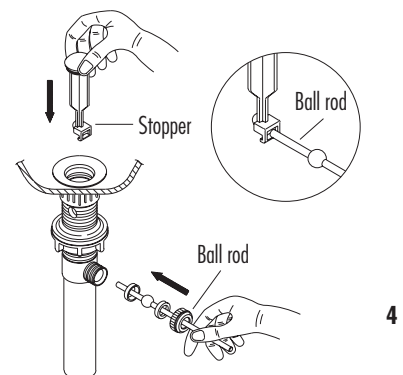


2 Place a ring of putty around drain opening of sink. Insert threaded end of drain body up through drain hole and attach flange to body with ball rod pointing to rear of sink.

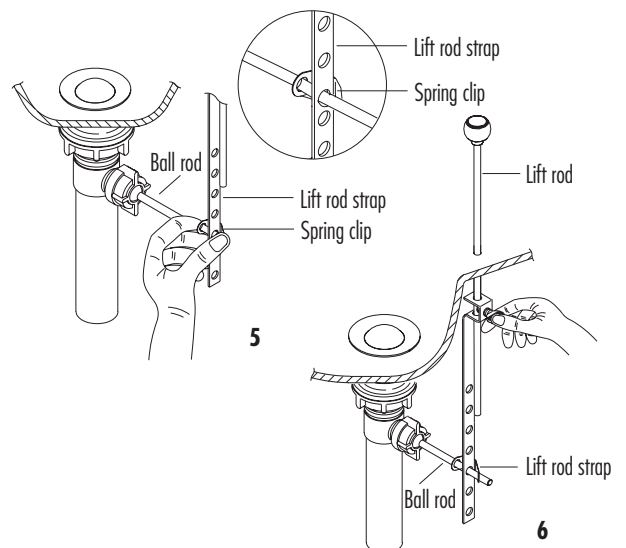


3 Thread locknut from underside of sink until rubber washer seats securely inside opening of sink. Tighten locknut with a wrench. Wipe excess putty.

4 Unthread the nut from the pop-up body and remove the spring clip from the ball rod (please note: retain the white packing ring on the ball rod), and place the nut in the ball rod. Insert the ball rod into the side hole of drain, through the hole in the stopper, slide the nut on and tighten securely.



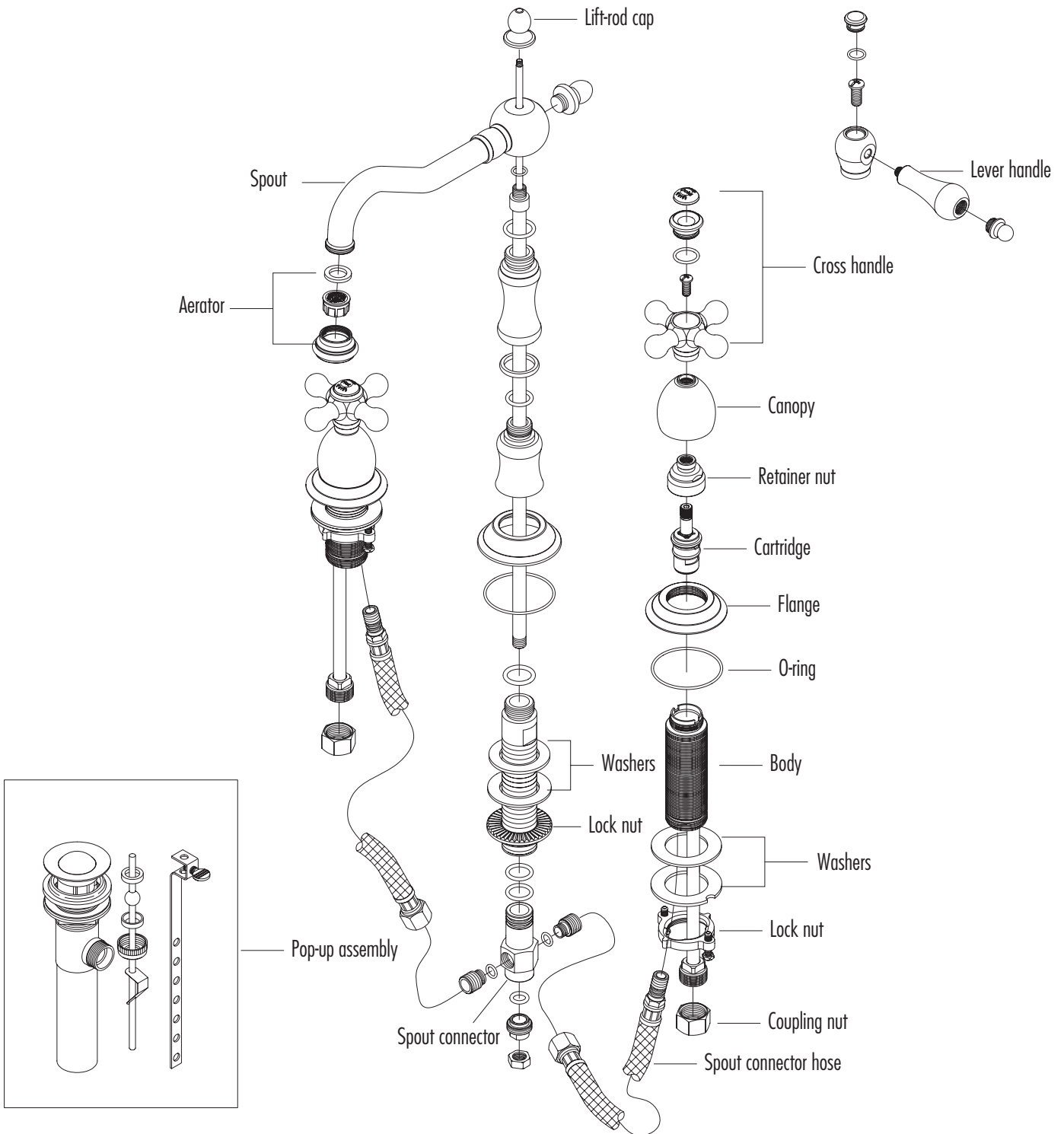
5 Place one end of spring clip on the end of the ball rod. Insert rod through hole in lift rod strap. Secure the lift rod strap by placing the other end of the spring clip on the ball rod.



6 Insert bottom of lift rod into hole at top of pop-up strap. Tighten with thumb screw.

Steps 1-6

Parts Breakdown



Trouble-Shooting

PROBLEM

Leaks underneath handle.

CAUSE

Retainer nut is loose or O-ring on cartridge is dirty or twisted.

SOLUTION

Tighten the retainer nut. Clean or replace o-ring.

PROBLEM

Aerator leaks or has an inconsistent water flow pattern.

CAUSE

Aerator is dirty or improperly installed.

SOLUTION

Remove aerator, check for debris in the aerator screens, and confirm the rubber washer is properly installed.