



Belle Forêt
collection

N155, N156 SINGLE HANDLE KITCHEN FAUCET

Product Features

1 or 3-Hole (with deck plate) Installation

2.2 GPM @ 60PSI water saving aerator

Brass body

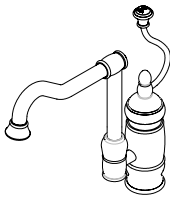
1/2" 14 NPS Inlet

Ceramic cartridge

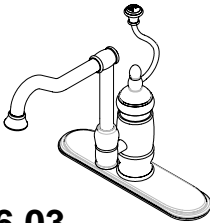
Handle:

Spiral handle N155 03, N156 03

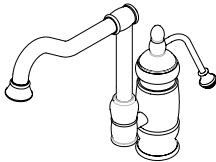
Pump handle N156 04, N156 04



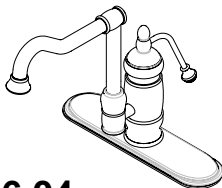
N155 03



N156 03



N155 04



N156 04

Standards/Approvals

N155, N156 meets or exceeds:

ANSI/ASME A112.18.1

ANSI/NSF 61 – Sec 9

IAPMO/UPC

California Proposition 65

Massachusetts

Meets ADA requirements



UPC®



PRODUCT SPECIFICATION:

Single-handle kitchen faucet shall have a brass body, ceramic cartridge, 9-15/16" spout and metal spiral or metal pump handle. Product shall be able to be installed in 1or 3-hole installation. Product shall be Belle Forêt model N15_____.

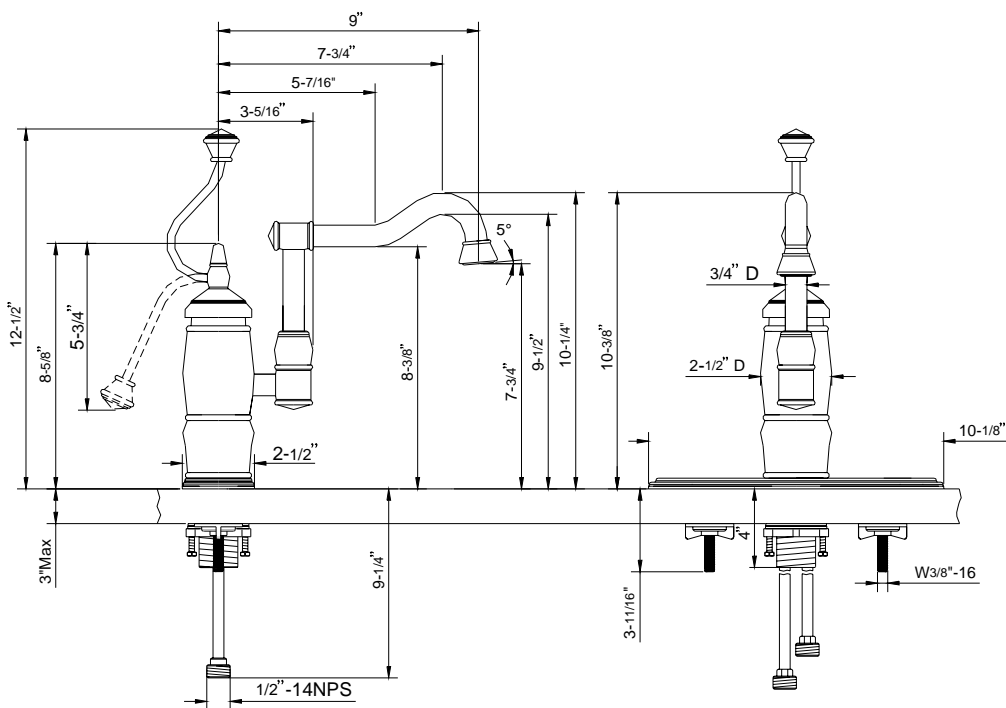


Belle Forêt
collection

N155, N156 SINGLE HANDLE KITCHEN FAUCET

3-Hole Installation Shown

(With Deckplate)



Other Specifications

Faucet Hole diameter	1-1/2"
Deck Plate	6-1/4 x 2-5/16"
Single Post Mount Installation (less deckplate)	
Max Deck Thickness	3-3/8"
Body Base Diameter	2-5/16"
Spout Height	10"
Aerator Clearance	7-3/8"
Spout Clearance	9-1/8"

Available Finishes

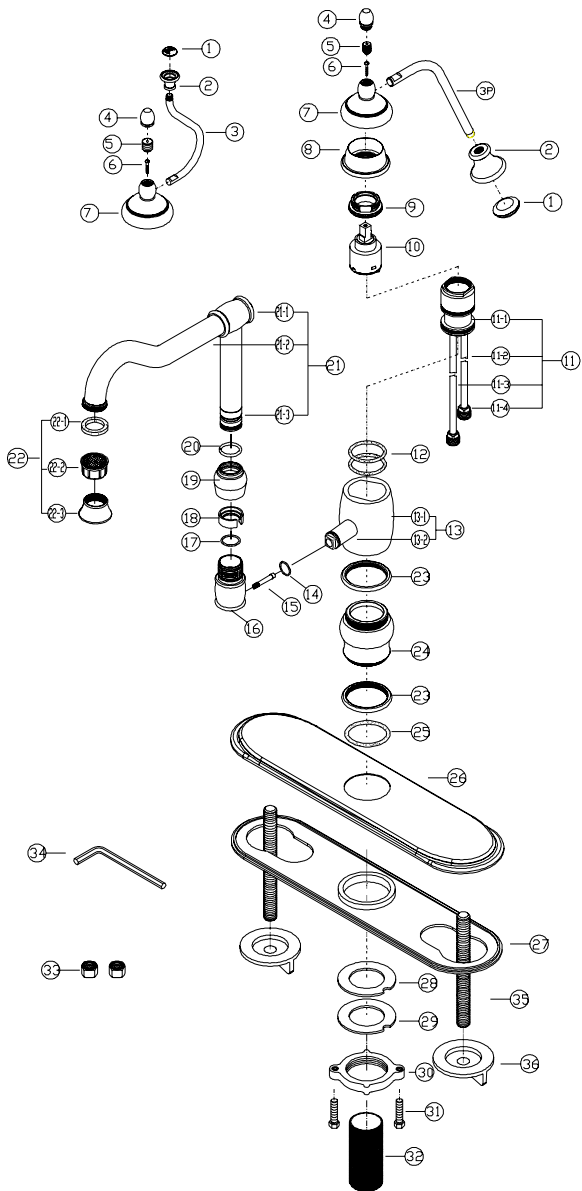
Chrome
Polished Brass
Stainless Steel
Oil Rubbed Bronze
Matte Nickel
Weathered Copper



Belle Forêt
collection

N155, N156 SINGLE HANDLE KITCHEN FAUCET

PARTS BREAKDOWN





Belle Forêt
collection

N155, N156

SINGLE HANDLE KITCHEN FAUCET

PARTS LISTING

No	Name	Kit# / Part#	Q'ty	No	Name	Kit# / Part#	Q'ty
1	Porc.index	N/A	1	17	O-ring	663970N	1
2	Knob		1	18	Clip ring		1
3	Spiral wire		1	20	O-ring		1
3P	Pump wire		1	19	Bonnet	N/A	1
4	Cap		1	21	Spout assembly		1
5	Set Screw		1	22	Aerator	500767Nxx	1
6	Screw		1	22-1			1
7	Canopy		1	22-2			1
8	Cap		1	22-3			1
9	Retainer nut		1	23	Trim ring	012153xx	1
10	Cartridge	507348N	1	24	Body base	N/A	1
11	Body assembly	N/A		25	O-ring		1
11-1			1	26	Deck plate		1
11-2			1	27	Bottom plate		1
11-3			1	28	Seal		1
11-4			2	29	Washer		1
12	O-RING	2	30	Wing nut	1		
13	Sleeve	N/A		31	Screw		2
13-1			1	32	Tube		1
13-2			1	33	Nut		2
14	O-ring	1	34	Allen wrench	1		
15	Screw	1	35	Bolt	2		
16	Spout base	1	36	Nut	2		

xx designates finish matched parts.