

SCRT500

Product Features

- 4.0 GPM @ 20 PSI minimum flow rate
- Brass body
- Ceramic cartridge
- Metal Lever handle

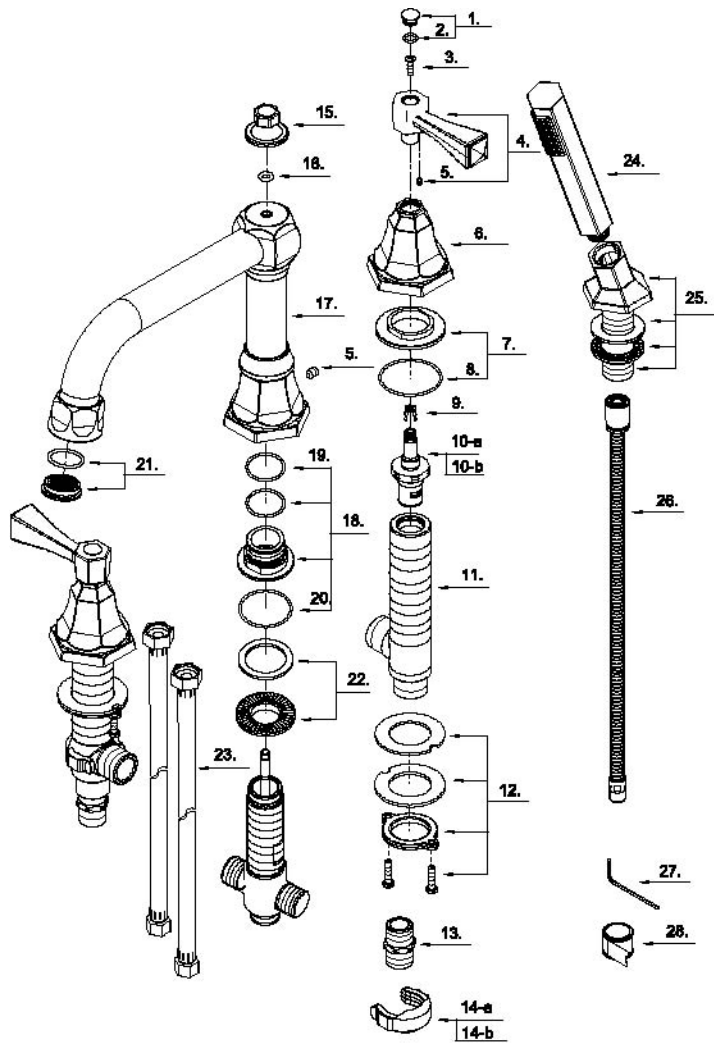
Standards/Approvals

- SCRT500 meets or exceeds:
- IAPMO/UPC (AB1953)
- Massachusetts



PRODUCT SPECIFICATION:

Roman Tub faucet shall have a brass body, ceramic cartridge, metal lever handles. Product shall be able to be installed 8" to 15" centers applications. Product shall be schön brass works model SCRT500



Other Specifications

Faucet Hole diameter	1-1/2"
Spout height	7-1/4"
Spout reach	8-1/4"
Aerator clearance	3-1/2"

Available Finishes

- Chrome
- Satin Nickel
- Oil Rubbed Bronze

PARTS LISTING

No	Part Number	Part Name	Q'ty
1	A663689xx	Handle Cap	2
2	A004001N	O-Ring (Φ 5/16" ID * Φ 7/16" ID)	2
3	A008087	Screw (3/16" -24 * 9/16" L)	2
4	A66E218xx	Metal Handle	2
5	A008191	Screw (M4 * 5 mm L)	2
6	A018191xx	Handle Base	2
7	A66D545	Handle Trim Ring	2
8	A063053	O-Ring (Φ 1-3/4" ID * Φ 1-15/16" OD)	2
9	A126108	Fixing Set	2
10-a	A507972	Ceramic Disc Cartridge-Cold	1
10-b	A507971	Ceramic Disc Cartridge-Hot	1
11	A002639	Handle Valve Body	2
12	A66D401	Mounting Hardware Assembly	2
13	A077034	Threaded Connector	2
14-a	A012024C	Handle Valve Body Indicator Clip-Hot	1
14-b	A012024H	Handle Valve Body Indicator Clip-Cold	1
15	A124404xx	Lift Rod	1
16	A048044	O-Ring (Φ 3/16" ID * Φ 5/16" OD)	1
17	A139826xx	Spout	1
18	A66D449	Adaptor Assembly	1
19	A072048N	O-Ring (Φ 1-1/16" ID * Φ 1-1/4" OD)	1
20	A004107	O-Ring (Φ 1-9/16" ID * Φ 1-11/16" OD)	1
21	A603582	Aerator	1
22	A603236	Nut & Seal	1
23	A105137	Supply Hose	1
24	S2211E01xx	Hand Shower W/Check Valve	1
25	A66F031xx	Spray Holder Assembly	1
26	A134036xx	Shower Hose	1
27	A031003	Hex Wrench(H2 * 17 mm L * 49 mm L)	1
28	A203000	Pipe Tape	1

XX designates finish matched parts