

**SCRT600**

### **Product Features**

- 4.0 GPM @ 20 PSI minimum flow rate
- Brass body
- Ceramic cartridge
- Metal Lever handle

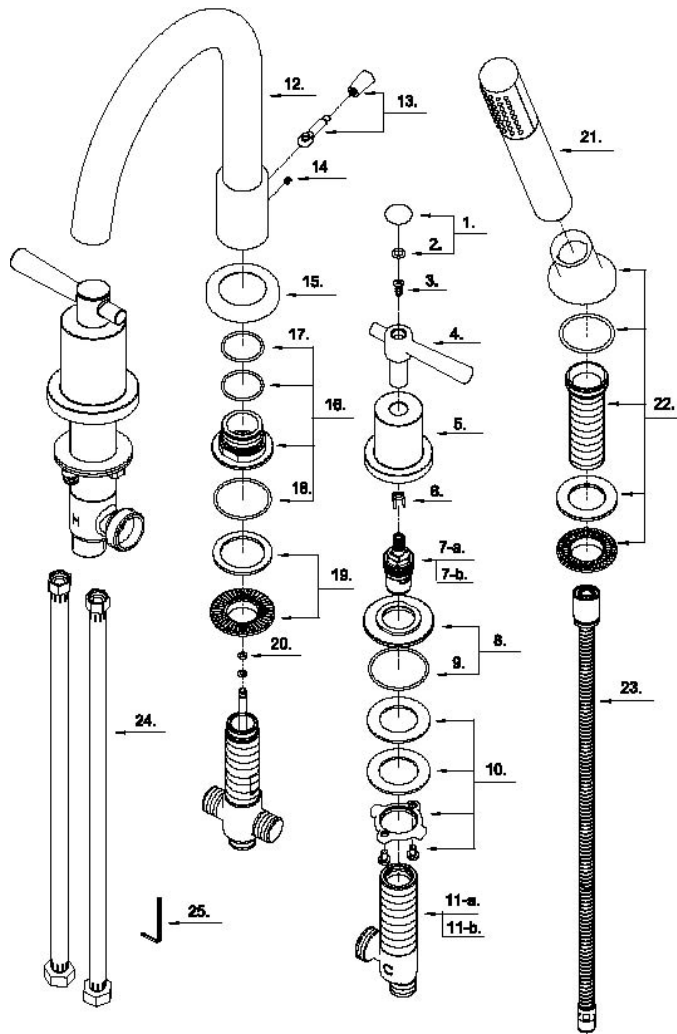
### **Standards/Approvals**

- SCRT600 meets or exceeds:
- IAPMO/UPC (AB1953)
- Massachusetts



### **PRODUCT SPECIFICATION:**

Roman Tub faucet shall have a brass body, ceramic cartridge, metal lever handles. Product shall be able to be installed 8" to 15" centers applications. Product shall be schön brass works model SCRT600



**Other Specifications**

Faucet Hole diameter	1-1/2"
Spout height	11 11-16"
Spout reach	8"
Aerator clearance	6 11//16"

**Available Finishes**

- Chrome
- Satin Nickel

**PARTS LISTING**

No	Part Number	Part Name	Q'ty
1	A66D422xx	Handle Cap	2
2	A004046N	O-Ring ( $\Phi$ 1/4" ID * $\Phi$ 3/8" OD)	2
3	A008041	Screw (3/16" -24 * 7/16" L)	2
4	A069899xx	Metal Handle	2
5	A018073xx	Handle Base	2
6	A126108	Fixing Set	2
7-a	A507376N	Ceramic Disc Cartridge-Cold	2
7-b	A507375N	Ceramic Disc Cartridge-Hot	2
8	A66D423	Handle Trim Ring	2
9	A072032N	O-Ring ( $\Phi$ 1-5/8" ID * $\Phi$ 1-13/16" OD)	2
10	A663951	Mounting Hardware Assembly	2
11-a	A002544C	Handle Valve Body-Cold	1
11-b	A002544H	Handle Valve Body-Hot	1
12	A139720xx	Spout	1
13	A66D448xx	Lift Rod	1
14	A008191	Screw (M4 * 5 mm L)	1
15	A071342xx	Spout Trim Ring	1
16	A66D449	Adaptor Assembly	1
17	A072048N	O-Ring ( $\Phi$ 1-1/16" ID * $\Phi$ 1-1/4" OD)	1
18	A004107	O-Ring ( $\Phi$ 1-9/16" ID * $\Phi$ 1-11/16" OD)	1
19	A66D450	Mounting Hardware	1
20	A072069	O-Ring ( $\Phi$ 1/8" ID * $\Phi$ 1/4" OD)	1
21	S2211195xx	Hand Shower W/Check Valve	1
22	A604627xx	Spray Holder Assembly (3-3/4"L)	1
23	A134036xx	Shower Hose (72")	1
24	A105137	Supply Hose	1
25	A031003	Hex Wrench(H2 * 17 mm L * 49 mm L)	1

XX designates finish matched parts